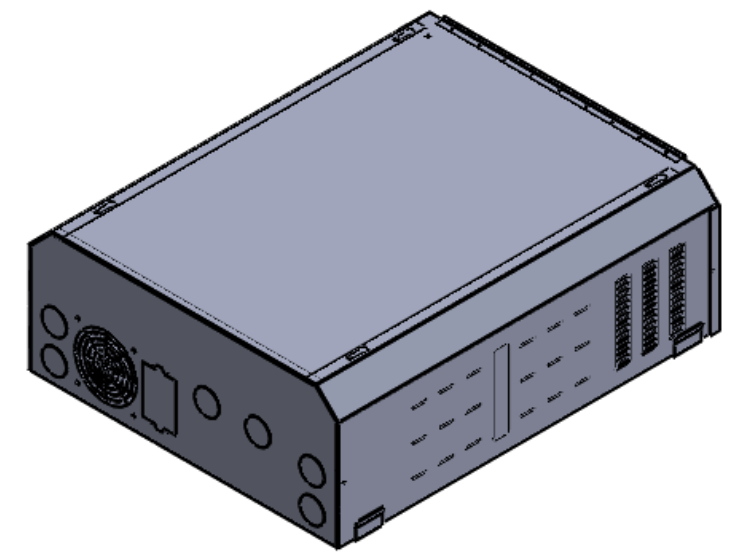
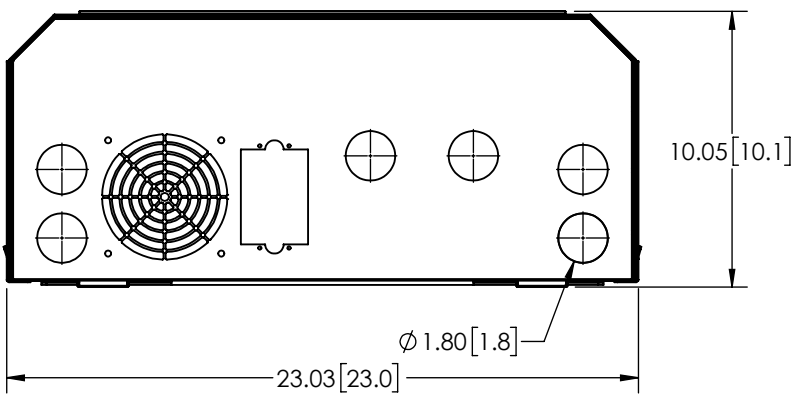
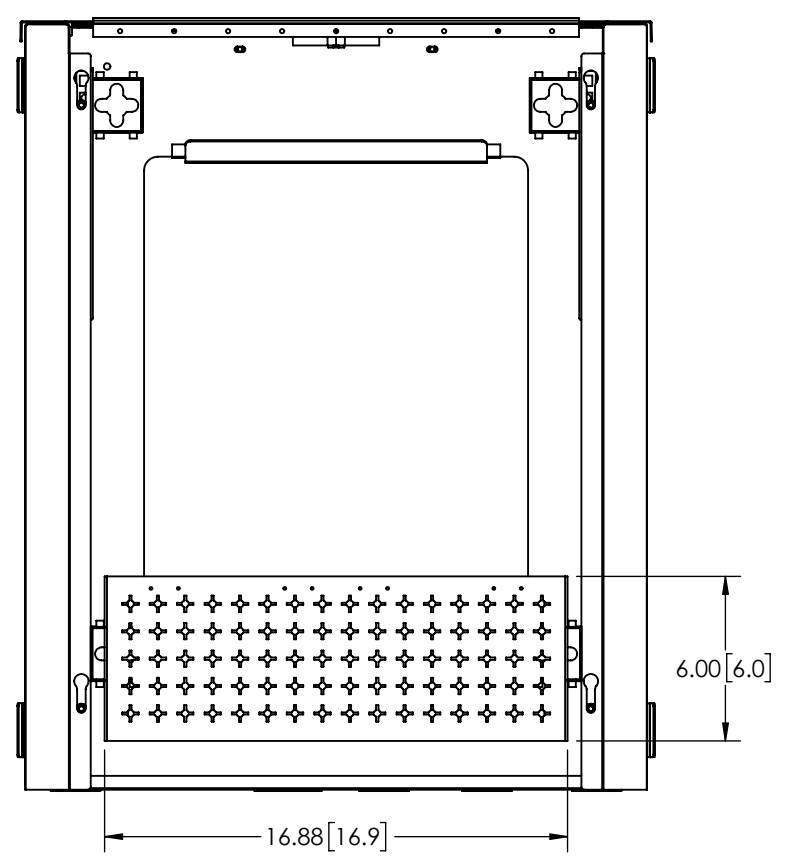
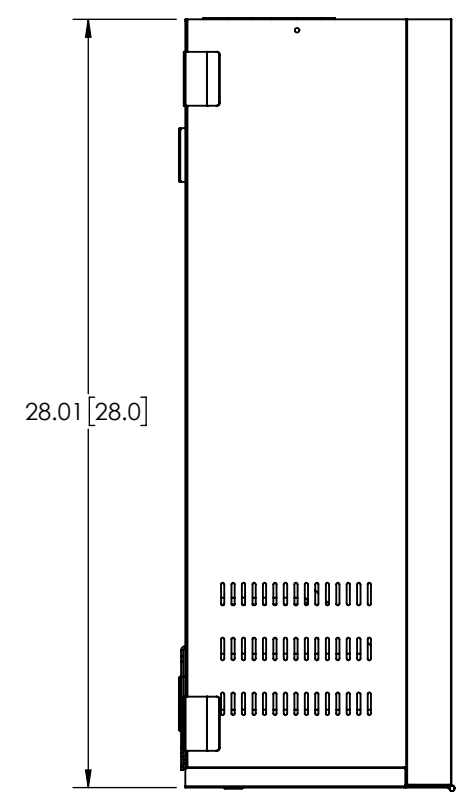
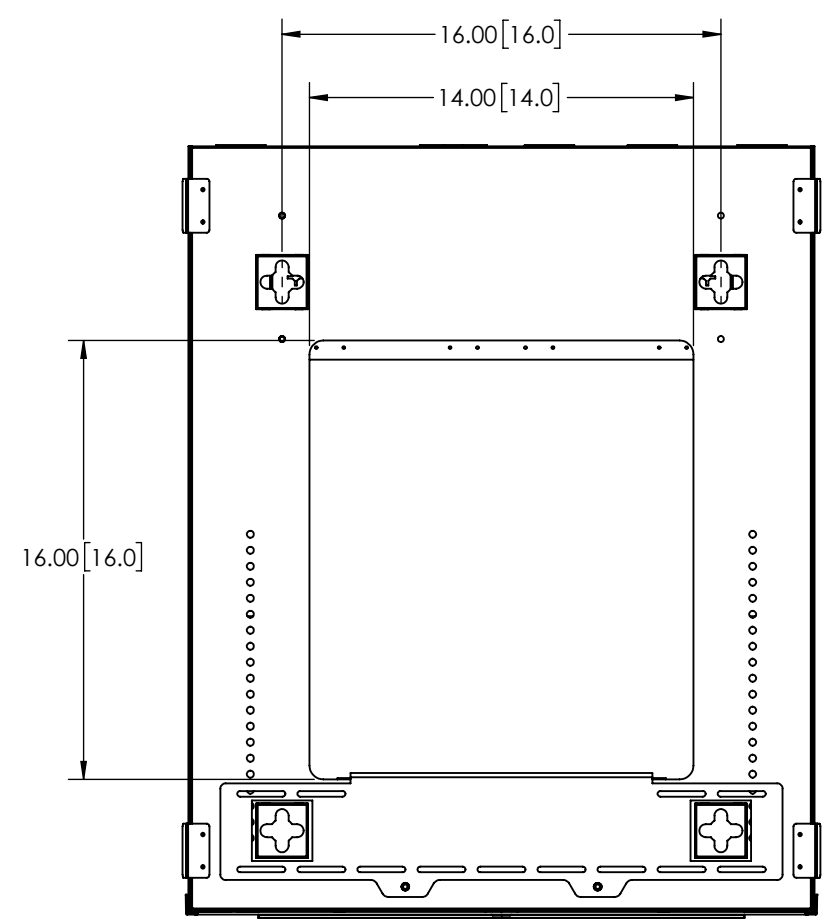


8 7 6 5 4 3 2 1

D



C



B

B

A

A

PROPRIETARY AND CONFIDENTIAL

THE INFORMATION CONTAINED IN THIS DRAWING IS THE SOLE PROPERTY OF STRONG MOUNTS AND LIFTS. ANY REPRODUCTION IN PART OR AS A WHOLE WITHOUT THE WRITTEN PERMISSION OF SNAP AV IS PROHIBITED.

CUSTOMER PRINT

SIZE	DRAWING NUMBER	DWG REV
B	SR-VERTICAL-5U	MP
DO NOT SCALE DRAWING		SHEET 1 OF 1

8 7 6 5 4 3 2 1