



300 - SERIES NETWORK SWITCHES
QUICK START GUIDE
Managed AV Rack Network Switches



FCC Warning

This device has been tested and found to comply with limits for a Class A digital device, pursuant to Part 15 of FCC Rules. These limits are designed to provide reasonable protection against harmful interference when the equipment is operated in a commercial environment. This equipment generates and radiates radio frequency energy that will be required to correct interference at their own expenses.

CE Warning

This is a Class A product. In a domestic environment this product may cause radio interference, in which case the user may be required to take adequate measures.

UL Warning

This device is intended for indoor use only. It should not be connected to an Ethernet network with outside plant routing.

About this Manual

This manual was created to provide a reference for installers and end users of Araknis Networks products. It provides all known information regarding the installation, setup, use, and maintenance of the product. This manual was created expressly for electronic use, but has been formatted so that it may be printed and bound using either one-sided or front-and-back printing.

The symbols on the next page are used in this manual to identify certain information. Review the definition of each symbol type to better understand notes later in the text.



Pro Tips

Pro tips are included in sections of the manual to add information that provides extra value, utility, or ease-of-use for the installer or end user of the product. Pro tips may also link to extra information that will provide a better understanding of application, technology or use of the product or feature in question. These items are not required, but have been added for your convenience.

Notes

Notes emphasize information important to the installation, setup, or use of the product that is not essential to follow for safety of the equipment or user. Notes may be located before or in the midst of the section they apply to, depending on the type of information. These items are usually essential information, like the size or dimension of a separate part required, or a critical step in the process, that, if missed, would cause the installer or end user extra work to overcome.

Cautions

The caution symbol is used to indicate information vital to the safety of the equipment in use with the product, or the product itself. Cautions are always provided before the information they relate to. Not following a caution will almost always result in permanent damage to equipment that is not covered by warranty.

Warnings

Warnings indicate information vital to the safety to the installer or end user of the product. Warnings are always provided before the information they relate to. Not following a warning may result in permanent damage to equipment and serious injury or death of the installer or end user.



Welcome to Araknis® Networks

Thank you for choosing an Araknis 300-series Network Switch. The 300-series managed network switch is an enterprise-class switch specifically designed for use in Ethernet applications within the residential market.

With front-facing indicators and rear-facing ports, the 300-series switch was designed for easy installation and high performance in an environment where traffic on the network and the number of users could increase continuously. The switch provides 10/100/1000Mbps capability on all ports and operates as a plug-and-play device, auto detecting connections to other switches and allowing straight-through patch cables throughout an installation. An intuitive GUI (Graphical User Interface) allows for quick and easy configuration of the switch's powerful features.

PoE models provide full PoE functionality. The PoE power budget in the AN-300-SW-R-8-POE / -16-POE / -24-POE provides 15W on each port simultaneously. This helps systems integrators save time and effort calculating the available power budget as more PoE devices are added to the switch.



Individual ports can provide up to 25W but this will affect the available PoE budget for other ports. Each PoE model can provide 25W on half of the available ports at the same time

This Quick Start Guide will guide you through the layout of the device, and show the basic steps for using the switch.

For more information, visit www.snapav.com.

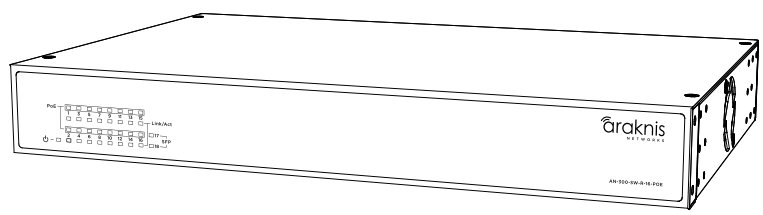
Araknis® 300-Series Overview

The following table lists the models available in the 300-series family of network switches.

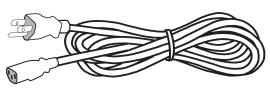
Model	Number of Ethernet Ports	Number of PoE Ports	Number of SFP Ports	Internal/External Power Supply
AN-300-SW-R-8	8	0	2	Internal
AN-300-SW-R-16	16	0	2	Internal
AN-300-SW-R-24	24	0	2	Internal
AN-300-SW-R-8-POE	8	8	2	Internal
AN-300-SW-R-16-POE	16	16	2	Internal
AN-300-SW-R-24-POE	24	24	2	Internal



Package Contents



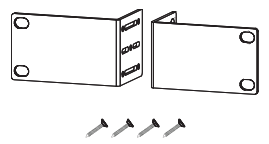
AN-300-SW-R Gigabit Ethernet Switch (1)



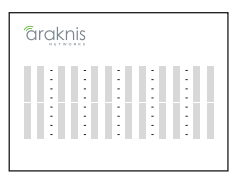
AC Power Cord (1)



Rubber Feet for flat surfaces (4)



Rack-Mount Kit (1)



Color-coding Decals set (1)



Quick Installation Guide (1)

Recommended for Installation

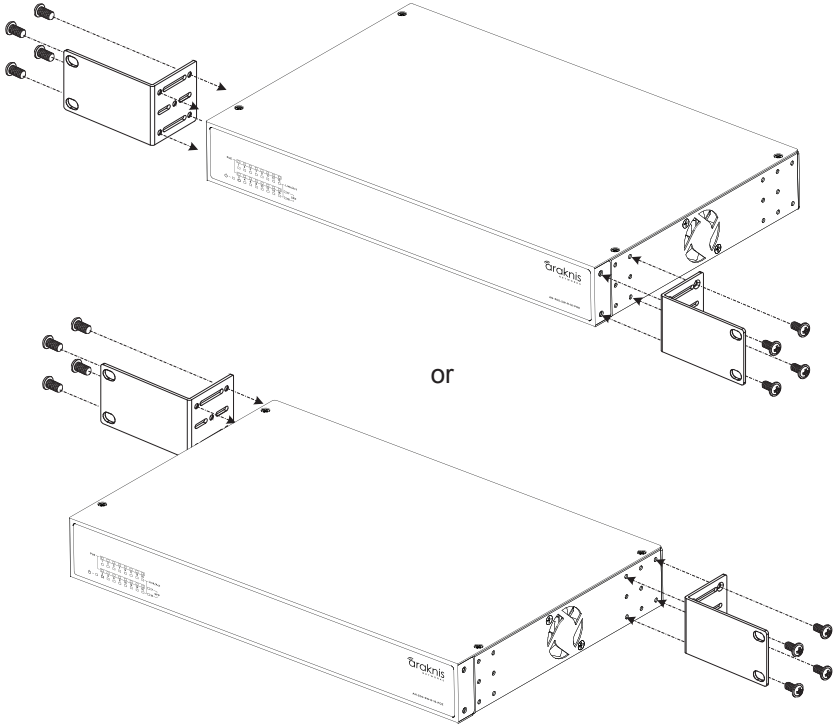
- #2 Phillips screwdriver (for mounting ear installation)
- Screws and anchors for wall-mount installation optional: use a material that is fastener rated, specified for use in the wall, and can safely hold the weight of the model in use
- Rack screws (optional; use screws designed for the rack in use)
- Drill (optional; for installation of wall-mount screws or anchors)



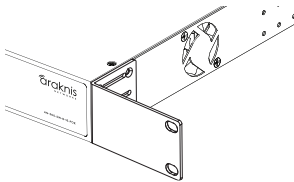
Note: For wall mounting, It's recommended to use #8x1-1/4 in. Coarse Phosphate-Plated Steel Bugle-Head Phillips Drywall Screws and Anchors.



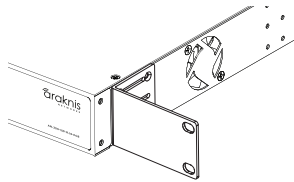
Rack Mounting



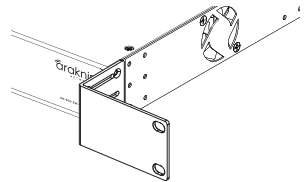
Mounting Options



Standard



Protruding



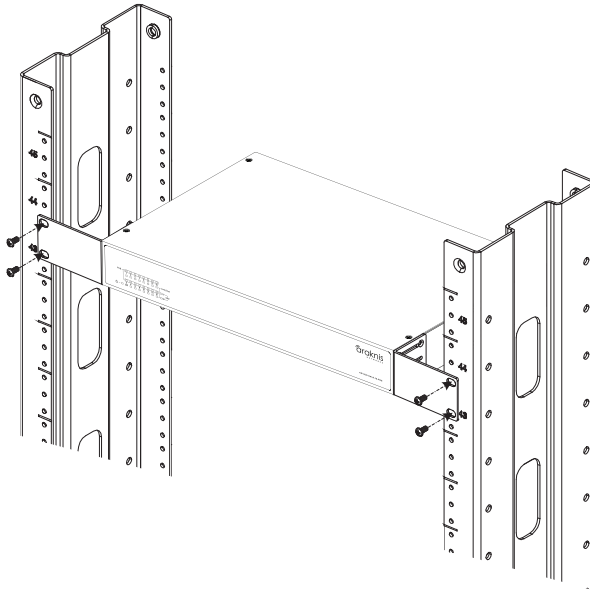
Recessed



Note: All product pictures in the document are for AN-300-SW-R-16-POE as an example of the 300-series product line



Rack Mounting (Continued)

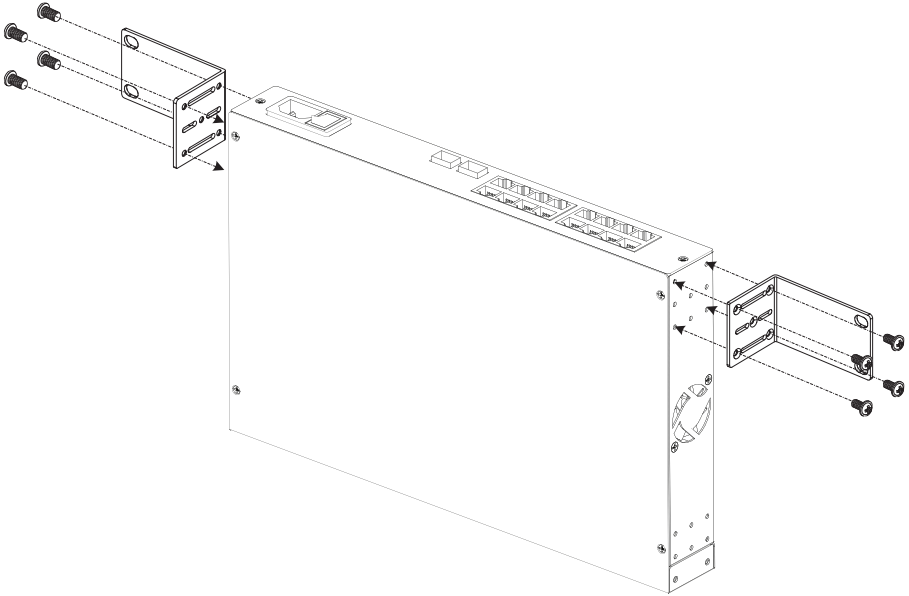


Rack Mounting Guidelines

- **Elevated Operating Ambient** - If installed in a closed or multi-unit rack assembly, the operating ambient temperature of the rack environment may be greater than room ambient. Therefore, consideration should be given to installing the equipment in an environment compatible with the maximum ambient temperature of 104°F.
- **Reduced Air Flow** - Installation of the equipment in a rack should be such that the amount of air flow required for safe operation of the equipment is not compromised.
- **Mechanical Loading** - Mounting of the equipment in the rack should be such that a hazardous condition is not achieved due to uneven mechanical loading.
- **Circuit Overloading** - Consideration should be given to the connection of the equipment to the supply circuit and the effect that overloading of the circuits might have on overcurrent protection and supply wiring. Appropriate consideration of equipment nameplate ratings should be used when addressing this concern.
- **Reliable Earthing** - Reliable earthing of rack-mounted equipment should be maintained. Particular attention should be given to supply connections other than direct connections to the branch circuit (e.g. use of power strips).



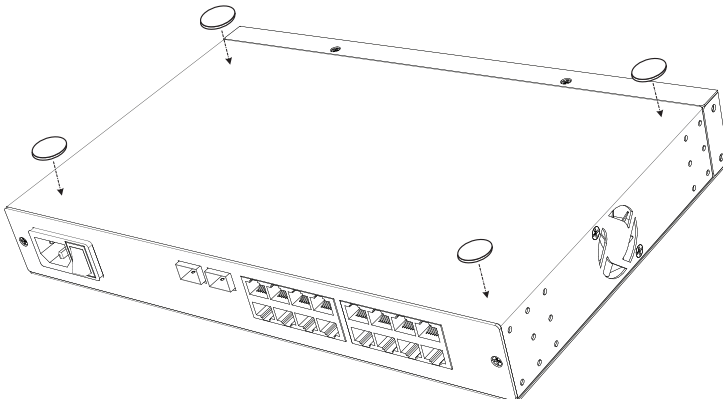
Wall Mounting



Shelf Mounting

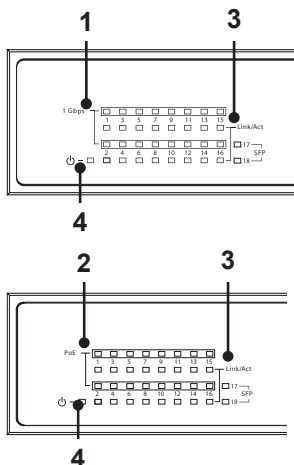


Caution: Do not stack more than 4 switches together. Do not stack any other equipment on top of the network switch to avoid possible interference or damage.





Front Panel Layout



1. 1 Gbps LED Indicator (for non-PoE Models)

LED	Behavior	Description
1 Gbps	Off	No device is connected/ Connected device supports 10/100M speed
	On	Device is connected at 1Gbps speed

2. PoE LED Indicator (for PoE Models)

PoE LED Indicator (for PoE Models)	Off	No PoE device is connected
	On	PoE-enabled device is connected

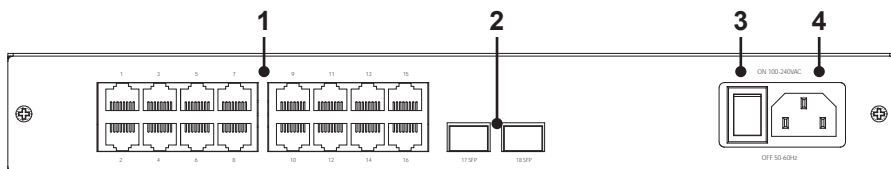
3. Link/Act LED Indicator

Behavior	Description
Off	No device is connected
Blinking	Device is connected and traffic is running

4. Power LED Indicator

Behavior	Description
On	Power is on
Off	Power is off

Rear Panel Layout



1. Ethernet Ports (RJ45)

Connect Ethernet network cables routed to equipment.

2. SFP Ports

Port for AN-ACC-SFP-E-100 or AN-ACC-SFP-MMF-350

3. Master Power Switch

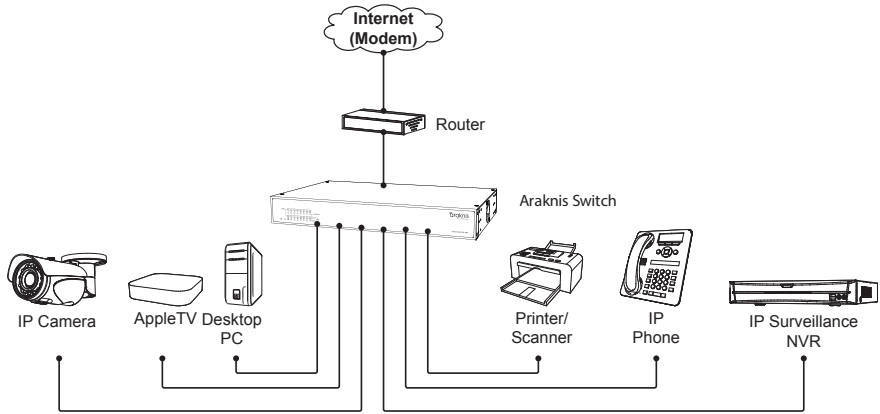
Toggle Switch for master power control.

4. Power Jack

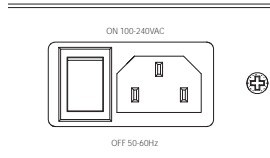
Attach an IEC power cable.



Installation



Powering the AN-300-SW-R Switch



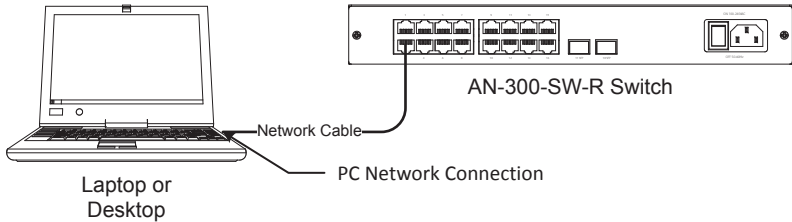
Electrical Requirements

Input Voltage (AC Only)	100~240V AC, 50~60Hz
-------------------------	----------------------



Accessing Switch Management

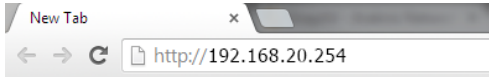
Management of the AN-300-SW-R is accessed using a laptop or desktop PC connected directly to the switch, and using any browser by entering the IP address into the browser's address bar.



1. Connect your computer to any RJ45 on the switch.
2. Configure the Ethernet adapter on your local system with a static IP address as follows:

IP Address: 192.168.20.x (x = any number from 1 to 254 except 254)
Subnet Mask: 255.255.255.0

3. Open a web browser and enter: **http://192.168.20.254** in the address bar.



4. User name is **araknis**, password is **araknis**.

For more information on configuring the switch please refer to the Quick Connection Guide on www.snapav.com.

Warranty

2 Year Limited Warranty

Araknis Networks® products have a 2-Year Limited Warranty. This warranty includes parts and labor repairs on all components found to be defective in material or workmanship under normal conditions of use. This warranty shall not apply to products which have been abused, modified or disassembled. Products to be repaired under this warranty must be returned to SnapAV or a designated service center with prior notification and an assigned return authorization number (RA).

Contacting Technical Support

Phone: (866) 838-5052

Email: Techsupport@araknisnetworks.com



© 2014 Araknis Networks®
140905-1343