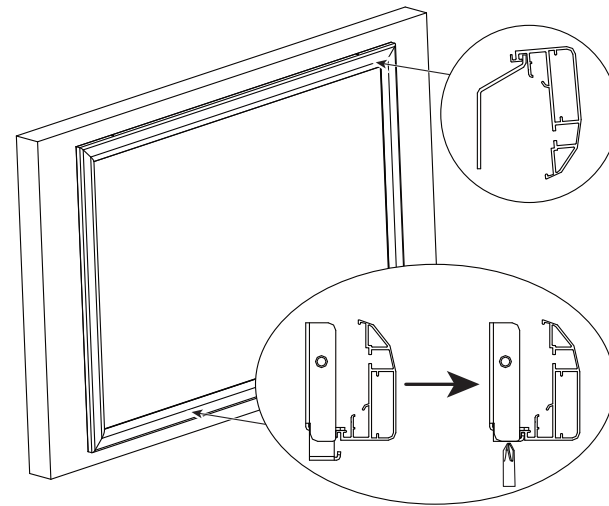
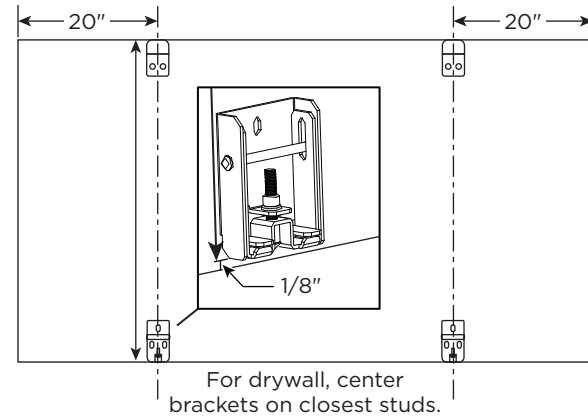


Step 5. Hang the Screen Assembly

A level, measuring tape, and drill are very helpful for this step.

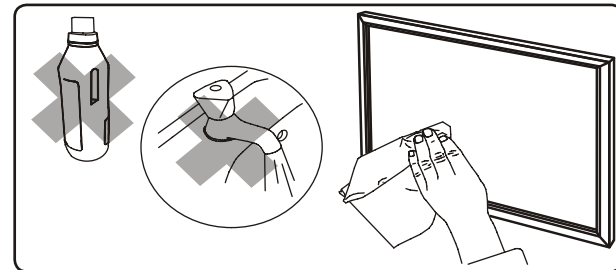
- Position the screen level on the wall and temporarily mark the location of the top, bottom, and side edges. For drywall installation, use a stud finder to mark the locations of the studs behind the screen.
- Position each upper bracket level with the top edge of the screen, about 20" in from each side, then mark the two mounting hole locations on the wall. For drywall installation, center the bracket on the closest stud.
- Beneath each upper bracket, measure 1/8" up from the bottom edge of the screen and mark the height for the bottom of the lower brackets.
- Tighten the screw on each bottom bracket, then position on the wall and mark the three mounting hole locations for each bracket.
- Prepare the wall for the screws/anchors:
 - Drywall studs: 5/32" drill for pilot holes
 - Masonry: 1/4" masonry drill bit for anchors
- Install the anchors (if applicable), then fasten the mounting brackets using the included 5X40mm screws.
- Loosen the retaining clamp screws on the bottom brackets.
- Slide the top edge of the screen over the upper brackets, then swing the bottom of the frame over the lower brackets and re-tighten the screws.



Care and Cleaning

Clean the screen with a soft cloth only. DO NOT use soap, water, harsh detergents, chemicals, distilled spirits or petroleum-based chemicals to clean the screen. Doing so may result in severe damage to the screen or the frame coating.

Use a household vacuum cleaner with a brush or furniture cleaning attachment to clean the felt frame material. Avoid using excessive amounts of water on the felt.



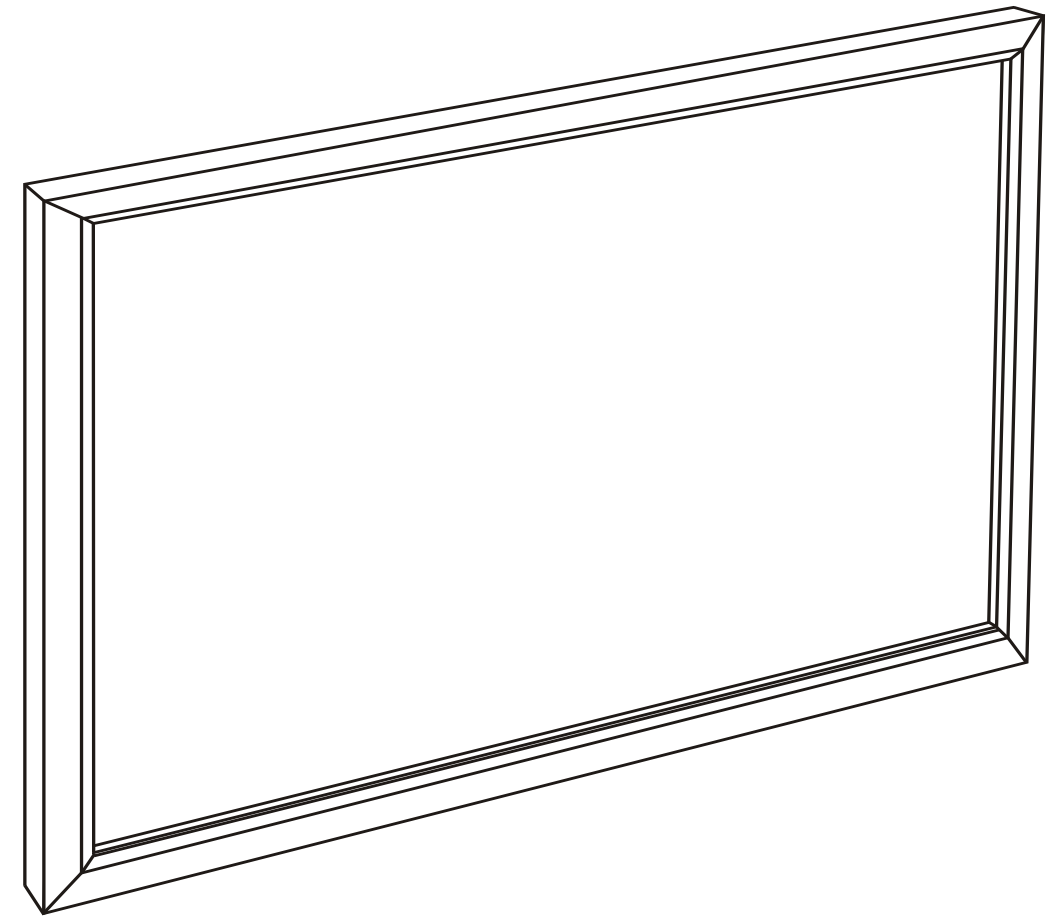
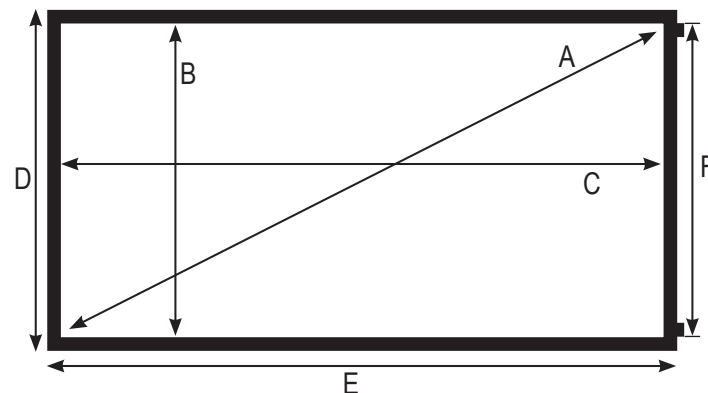
Dimensions

Size (A)	B	C	D	E	F*
92"	45.08"	80.2"	51.42"	86.54"	51.3"
100"	49.02"	87.17"	55.35"	93.5"	55.24"
110"	53.9"	95.87"	60.24"	102.2"	60.12"
120"	58.82"	104.57"	65.16"	110.9"	65"

*-Top of upper to bottom of lower mounting bracket.

Technical Support

p.866.838.5052



INSTALLATION MANUAL

Ambient Light Rejecting Fixed Projection Screens

IMPORTANT: BEFORE YOU BEGIN

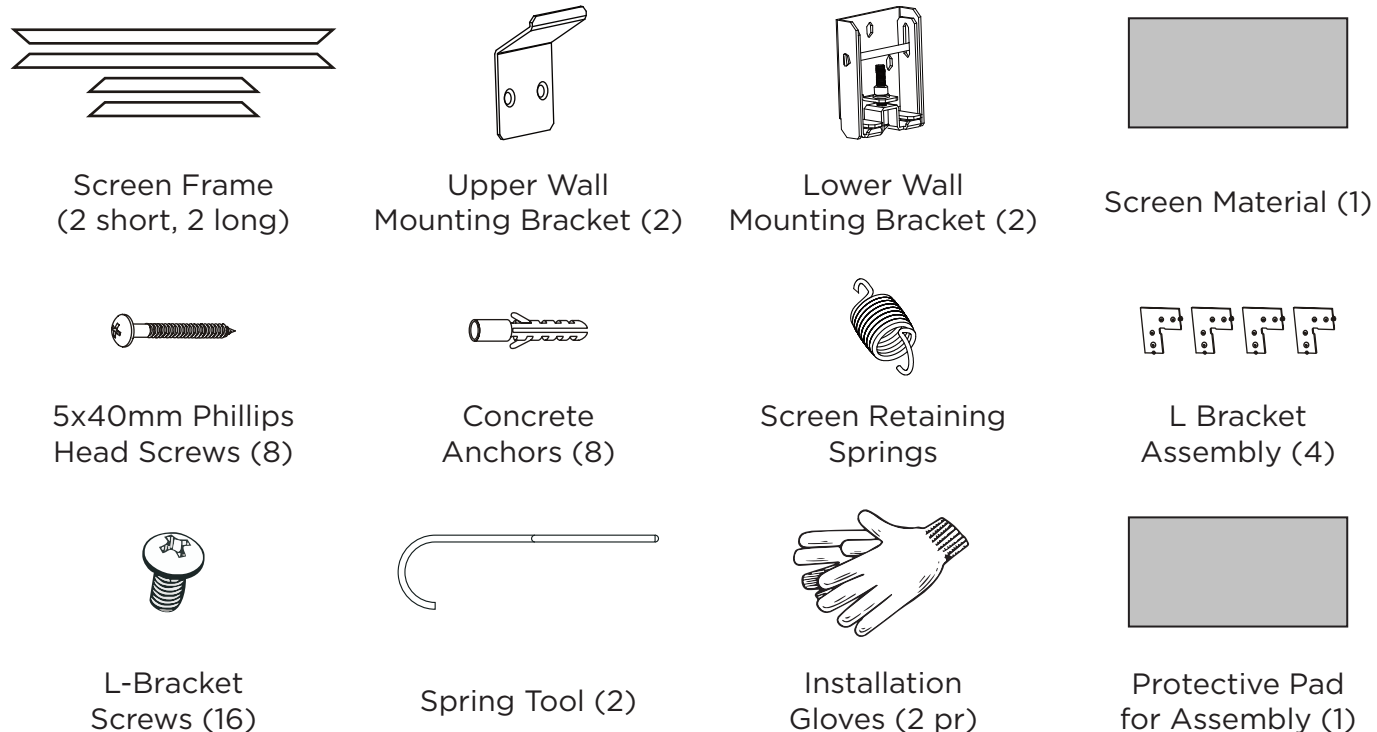
- To avoid staining or scratching the screen, wear the included white gloves during installation. Wash your hands and clean the work area before starting.
- Do not use knives or sharp objects to open the packing boxes.
- To avoid a serious fire hazard, DO NOT install the screen over an electrical outlet or switch.

Dragonfly Fixed Screen Assembly Instructions

Step 1. Unpack the Screen

- I. Lay out all the parts on a clean, flat surface.
- J. To avoid stains or damage, do not unpack the screen material at this time.

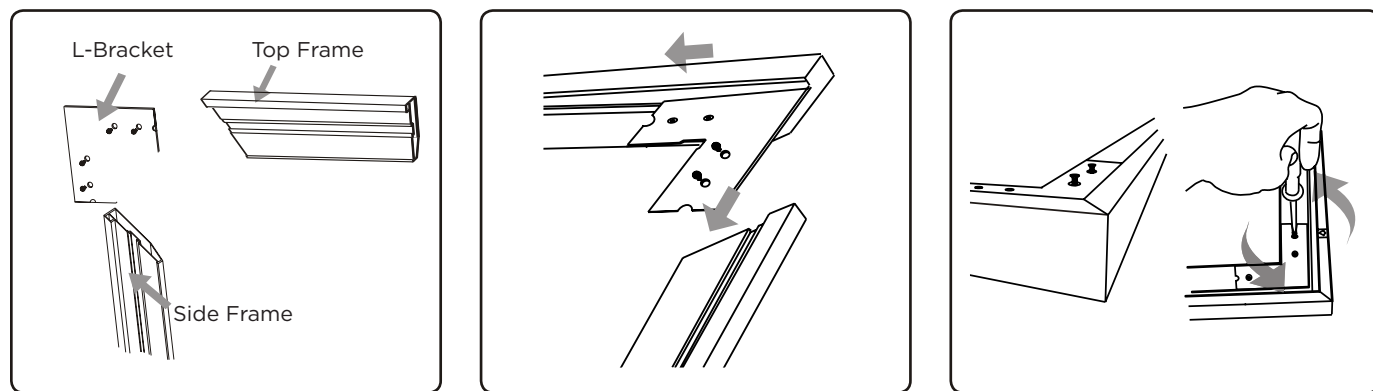
Package Contents



Step 2. Assemble the Frame

A carpenter's square is very helpful for this step.

- A. Place all of the frame tubes face down on a flat, clean work surface and line up the ends to form the shape of the finished screen.
- B. Insert the brackets into the frame ends as shown, then fully assemble the frame, Secure each corner with four screws.
- C. Work around the frame several times, using the square to align the frame corners and tightening the screws a little each time.

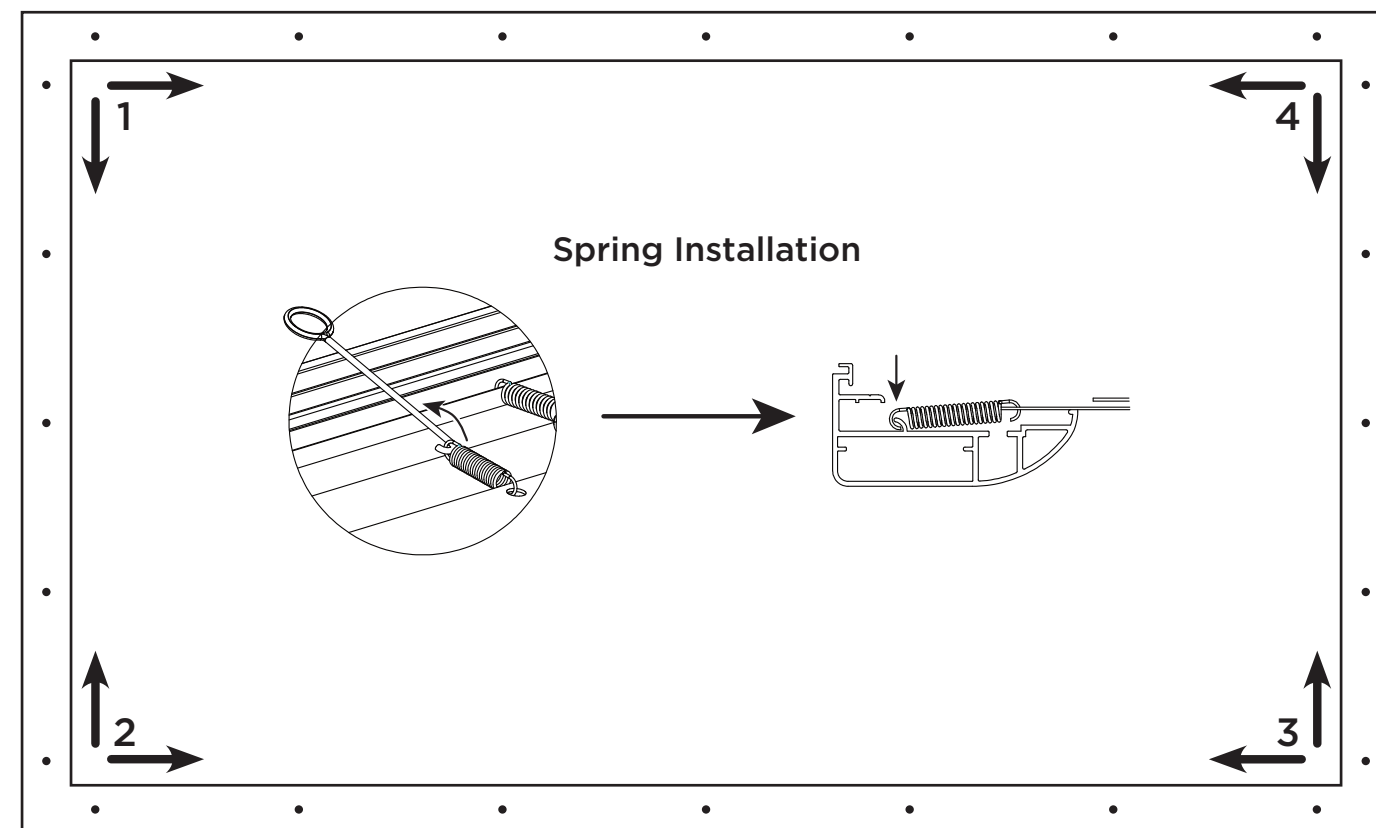


Step 3. Put on Installation Gloves

*The included installation gloves **MUST** be worn by the installers handling the screen material.

Step 4. Attach the Screen Material

- A. Clean the work area to avoid staining the screen material. Begin with the assembled frame laying face-down on a protective pad or a clean, soft surface. Remember to wear the installation gloves while handling the material!
- B. Unpack the screen material and lay it centered in the frame, then gather the spring tools and springs. Place four longer springs at each corner of the frame. Installation notes:
 - The springs should be hooked into the outermost channel in the back of the frame using the tool as illustrated.
 - On the spring, the large hook attaches to the screen material. The small hook attaches to the frame.
 - Hook the spring on the screen material, then to the frame.
- C. Using the spring tools, attach the four springs in each corner first, then work toward the center of each side.



Size	Spring Quantity				Total
	Top	Bottom	Left	Right	
92"	12	12	7	7	38
100"	13	13	8	8	42
110"	14	14	8	8	44
120"	16	16	9	9	50