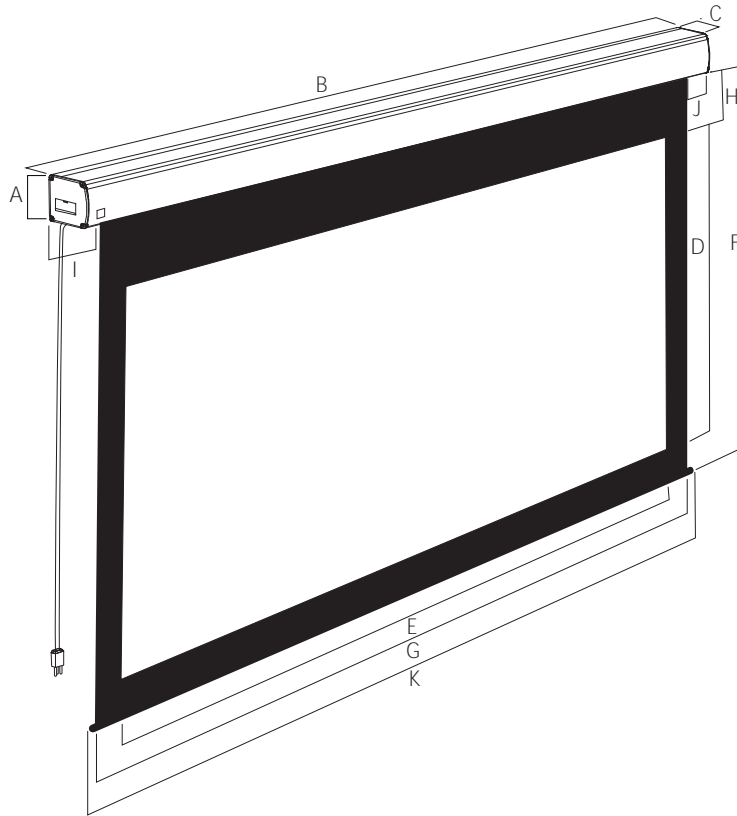




#### Screen Dimensions

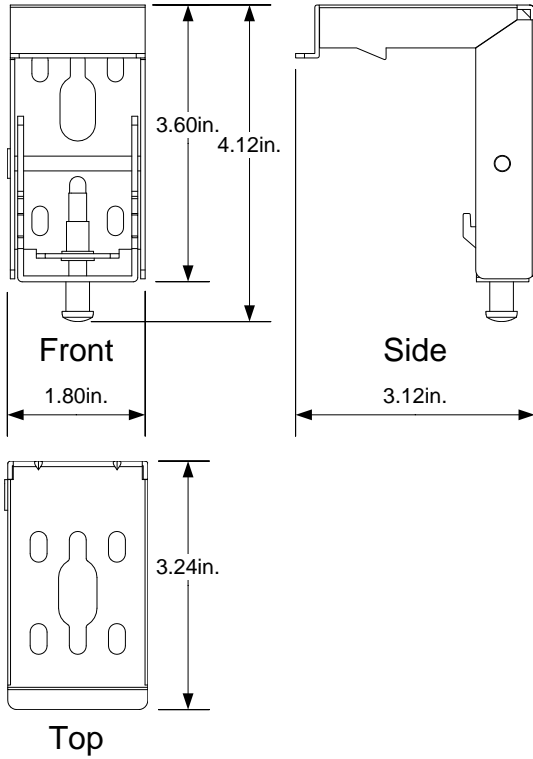


Model	Dimension (Inches)											Weight (Lbs.)
	A	B	C	D	E	F	G	H	I	J	K	
DFM-NTT-100-MW/HC	4.02	97.17	3.82	49.02	87.17	70.67	91.10	19.69	4.33	1.73	92.28	32.19
DFM-NTT-120-MW/HC	4.02	115.75	3.82	58.82	104.57	72.60	108.50	11.81	4.33	1.73	109.69	44.75
DFM-NTT-103-MW-1610	4.02	97.17	3.82	54.49	87.17	72.20	91.10	15.75	4.33	1.73	92.28	32.41
DFM-NTT-113-MW 1610	4.02	105.87	3.82	59.92	95.87	75.67	99.80	13.78	4.33	1.73	100.98	34.39
DFM-NTT-123-MW 1610	4.02	115.75	3.82	65.35	104.57	75.20	108.50	7.87	4.33	1.73	109.69	44.75
DFM-NTT-130-MW/HC	5.71	125.47	5.47	63.74	113.31	78.70	117.24	11.81	4.80	3.50	119.21	60.63
DFM-NTT-133-MW-1610	5.71	125.47	5.47	70.83	113.31	85.79	117.24	11.81	4.80	3.50	119.21	60.96



#### Bracket Dimensions

Screen Sizes 123" & Down



Screen Sizes 130" & Up

