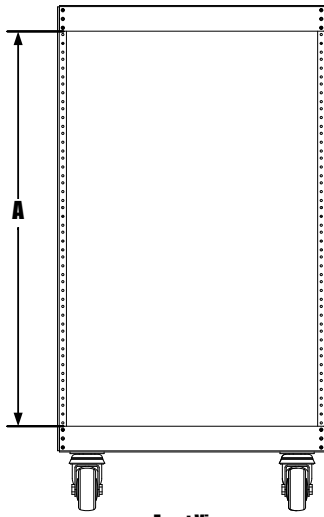


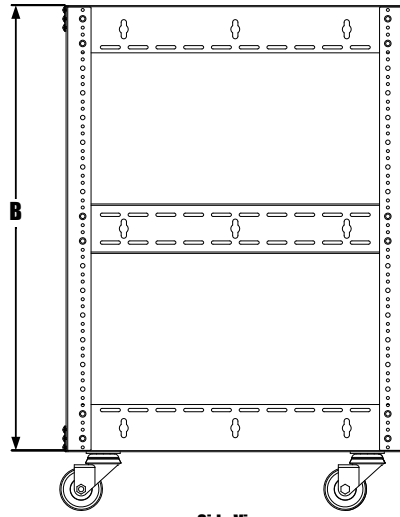


# Rack Dimensions

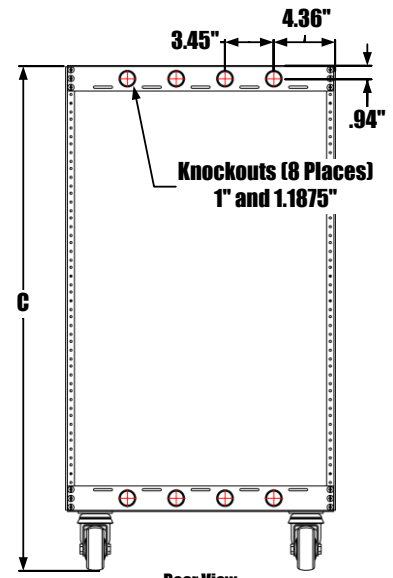
## SR-SKEL Series Racks



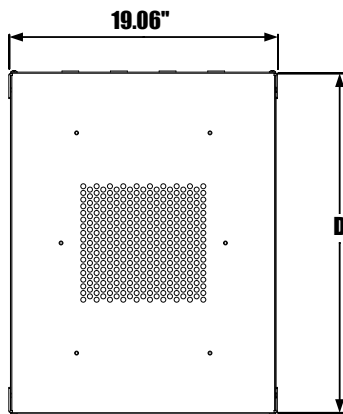
Front View



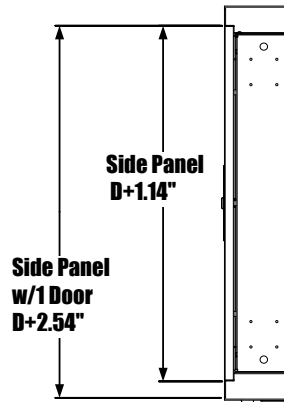
Side View



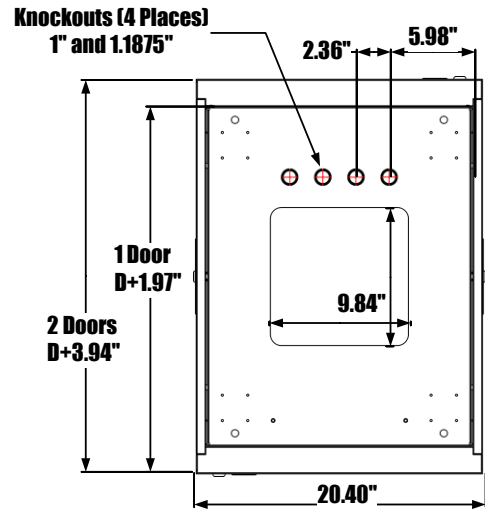
Rear View



Top View



Side Panel Detail



Bottom View  
w/ Doors & Side Panels

Model #	A - Racking Height	B - Overall Height	C - Height (w/ Casters)	D - Overall Depth	Usable Depth
SR-SKEL-16U-20IN	16U (27.97")	31.61"	35.55"	20.20"	20"
SR-SKEL-21U-20IN	21U (36.69")	40.34"	44.28"	20.20"	20"
SR-SKEL-32U-20IN	32U (55.97")	59.61"	63.55"	20.20"	20"
SR-SKEL-37U-20IN	37U (64.72")	68.37"	72.3"	20.20"	20"
SR-SKEL-42U-20IN	42U (73.47")	77.11"	81.05"	20.20"	20"
SR-SKEL-16U-24IN	16U (27.97")	31.61"	35.55"	24.20"	24"
SR-SKEL-21U-24IN	21U (36.69")	40.34"	44.28"	24.20"	24"
SR-SKEL-32U-24IN	32U (55.97")	59.61"	63.55"	24.20"	24"
SR-SKEL-37U-24IN	37U (64.72")	68.37"	72.3"	24.20"	24"
SR-SKEL-42U-24IN	42U (73.47")	77.11"	81.05"	24.20"	24"

### Specifications:

- 1000 lb. max load capacity.
- Rack Tops and Bottoms: 14-gauge single sheet steel.
- Rack Rails: 11-gauge single sheet steel.
- Top and Bottom panels treated with powder-coated finish.
- Rails feature non-clogging electrocoating process.
- Lifetime Warranty on all Racks and Accessories.