



engineered by
Snap
av

ASSEMBLY MANUAL

SR SERIES WALL MOUNT RACK DOORS

SR-WM-DOOR-10U

SR-WM-DOOR-12U

SR-WM-DOOR-16U

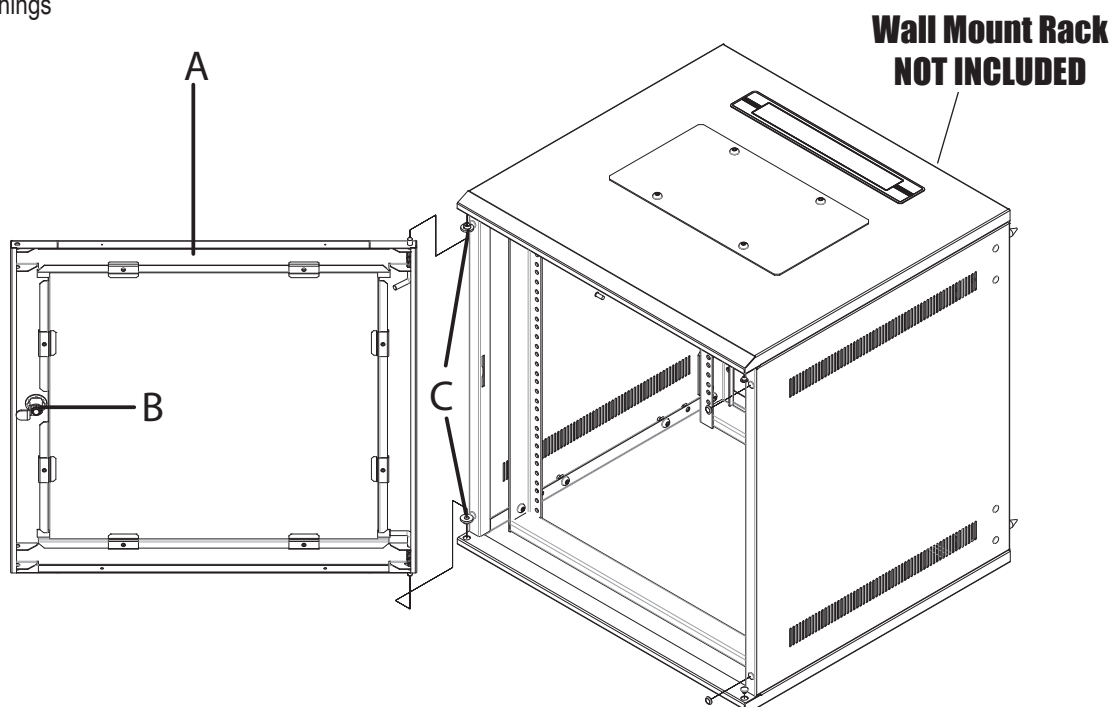
OVERVIEW

The SR-WM-DOOR-10U / 12U / 16U is constructed with the same rigid materials as the Strong™ SR Series wall mount racks, and provides security, as well as a finished look, to any installation.

NOTE: SR-WM-10U / 12U / 16U are to be built separately following the SR-WM installation manual.

PARTS INCLUDED

- A. (1) SR-DOOR Rack Door
- B. (1) Key Lock – Already Installed
- C. (2) Hinge Bushings



ATTACHING THE DOOR

1. Install the Hinge Bushing into the top and bottom plates of the Wall Mount rack.
2. Pull the hinges towards the top of the door.
3. Slide the door into place over the hinge bushings and release the hinges.