



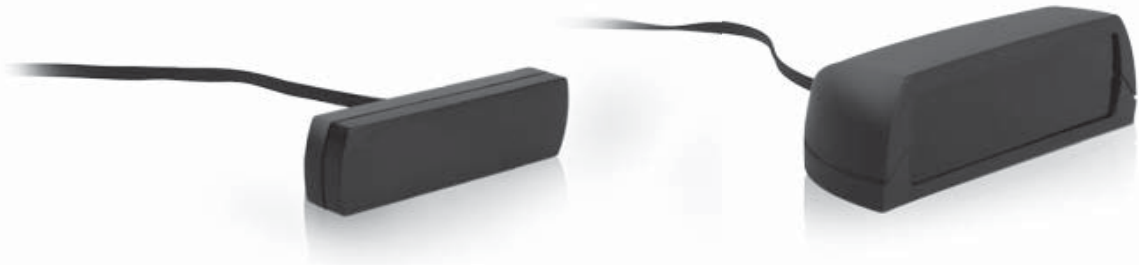
engineered by  
**Snap**  
av

**OWNER'S MANUAL**

**>> IR RECEIVERS**

**EE-IR-RCVR-SURFACE**

**EE-IR-RCVR-TABLE**



**TABLE OF CONTENTS**

---

- 1. Introduction.....2**
- 2. Installation.....2**
  - 2.1. Placement.....2
  - 2.2. Connections.....3
    - 2.2.1. Standard Wiring.....3
    - 2.2.2. Custom Wiring .....3
- 3. LED Operation .....5**
- 4. Warranty .....5**
- 5. Contacting Technical Support.....5**
- 6. Specifications.....6**

---

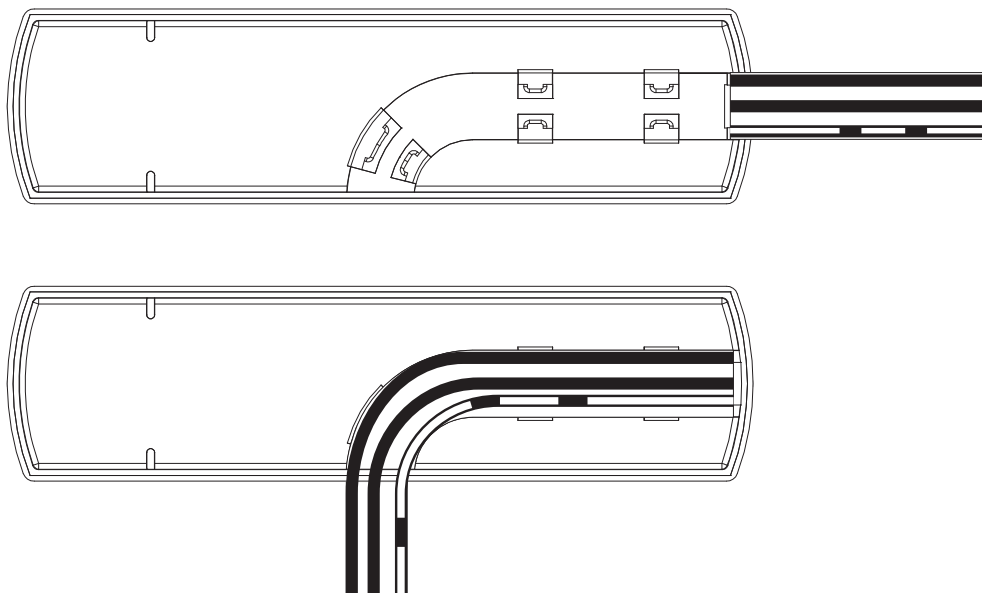
## 1. INTRODUCTION

Episode is one of the most highly-regarded brands of electronics equipment available today. We appreciate your business and we stand committed to providing our customers with the highest degree of quality and service in the industry.

## 2. INSTALLATION

### 2.1. PLACEMENT

- Determine the best location for the IR Receiver. An ideal location is one that is within the 'line of sight' of the primary seating position.
- Ensure that this location is within the distance parameters of the Receiver.
- The EE-IR-RCVR-SURFACE can be mounted to any standard surface using the included adhesive.
- The cable for the EE-IR-RCVR-SURFACE can be routed to the side or out the bottom.

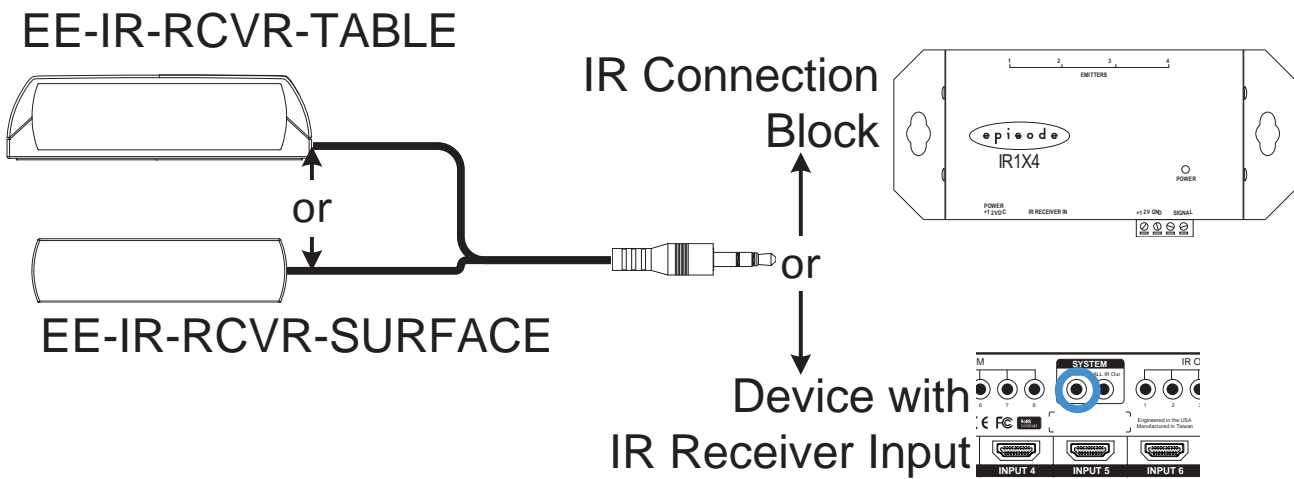


## 2.2. CONNECTIONS

### 2.2.1. STANDARD WIRING

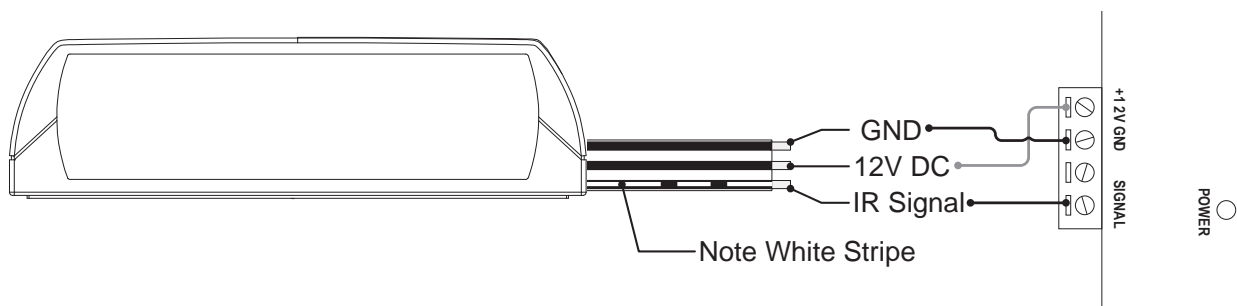
Connect the IR Receiver to an connector IR repeater, or any device with an IR Receiver input.

*Note: Do not connect the IR Receiver to an IR Emitter connection as damage to the Receiver may occur.*



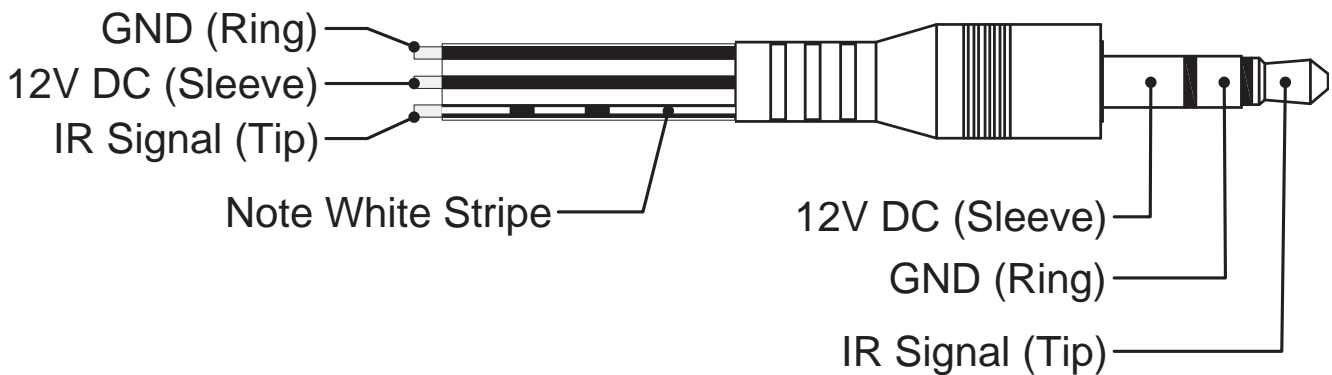
### IR REPEATER SCREW TERMINALS

When using an IR Repeater, the Receiver can be connected to the screw terminals by removing the 3.5mm (1/8") connector. When this method is used, proper polarity **MUST** be maintained in order to ensure proper operation.



## EXTENDING THE CABLE.

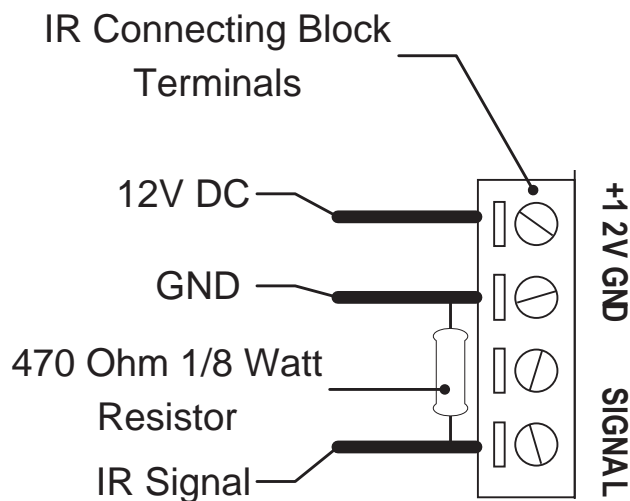
Should the cable for the IR Receiver not be long enough for the installation, it can be extended by removing the 3.5mm (1/8") connector and splicing in a length of wire. When this method is used, proper polarity **MUST** be maintained in order to ensure proper operation.



## 2.2.2. CUSTOM WIRING

### IR CONNECTION BLOCK SCREW TERMINALS

When using long lengths of cable (>50 ft.), it may be necessary to connect a 470 Ohm 1/8 Watt resistor between IR IN (signal) and GND. The resistor discharges the cable capacitance, which allows high bit-rate IR codes to work with higher reliability.



### 3.LED OPERATION

The LED on the front of the receiver will illuminate solid BLUE when an IR signal is being received. Some flickering may occur; this indicates that IR from other sources is present. If this occurs, move the receiver to another location until the flickering stops.

### 4.WARRANTY



#### 3-Year Limited Warranty

*Episode® Electronics Products have a 3-Year Limited Warranty. This warranty includes parts and labor repairs on all components found to be defective in material or workmanship under normal conditions of use. This warranty shall not apply to products which have been abused, modified or disassembled. Products to be repaired under this warranty must be returned to SnapAV or a designated service center with prior notification and an assignment return authorization number (RA).*

### 5.CONTACTING TECHNICAL SUPPORT

**PHONE:** (866) 838-5052

**EMAIL:** [TECHSUPPORT@SNAPAV.COM](mailto:TECHSUPPORT@SNAPAV.COM)

## 6. SPECIFICATIONS

<b>MOUNTING</b>	
EE-IR-RCVR-TABLE	TABLE TOP
EE-IR-RCVR-SURFACE	SURFACE MOUNT
<b>POWER</b>	+12VDC @ 25MA
<b>MAXIMUM RECOMMENDED CABLE LENGTH</b>	1000 FEET USING CAT-5
<b>CARRIER FREQUENCY ACCEPTABLE RANGE</b>	25KHZ TO 90KHZ
<b>CONTROL RANGE</b>	UP TO 40 FEET DEPENDING ON REMOTE STRENGTH AND AMBIENT NOISE CONDITIONS
<b>DIMENSIONS</b>	
EE-IR-RCVR-TABLE	0.88" (22.35MM) H X 3" (76.2MM) W X 1.375" (34.93MM) D
EE-IR-RCVR-SURFACE	0.67" (17.02MM) H X 2.5" (63.5MM) W X 0.32" (8.13MM) D
<b>CONTROL ANGLE</b>	0+/- 30° OFF AXIS



120425-1244