



# ClareOne Glass Break Installation Sheet



Last modified: 09/01/20

Part number: CLR-C1-GB

## Description

The ClareOne Glass Break Detector CLR-C1-GB is a wireless glass break sensor featuring alarm, tamper, and low battery signal outputs.

## Important safety instructions

Before you install this sensor, be sure to:

- Read, keep, and follow all instructions.
- When there is a low battery, replace with compatible CR123A lithium ion batteries.

Figure 1: Glass break sensor exterior

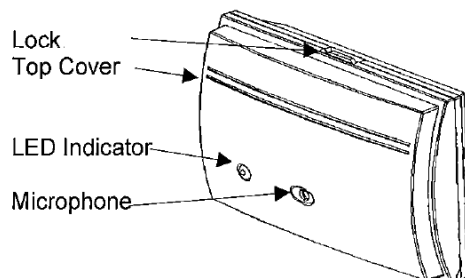
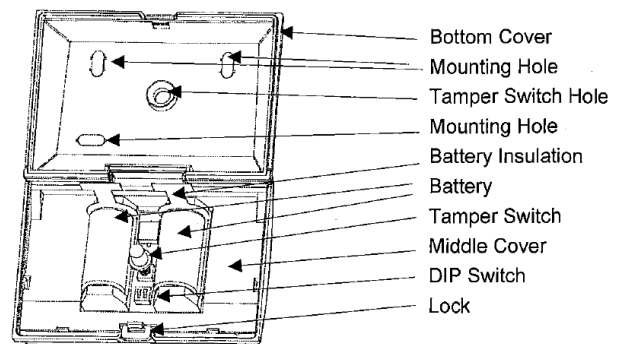


Figure 2: Glass break sensor interior



## Installation

Before installing the sensor, we recommend testing, pairing, and setting the sensor's sensitivity.

### Testing the sensor

Test the sensor before placing it in the permanent location.

#### To test the module/zones:

1. Remove the insulation tabs from the battery holder.  
Once the tabs are removed and the sensor powers on, Test Mode is active for 5 minutes.  
The LED blinks every second while the sensor is in Test Mode.
2. After 5 minutes, the sensor exits Test Mode and returns to Normal Mode.

## Programming

The following instructions step through pairing the sensor to the ClareOne panel.

#### To add the sensor to the panel:

1. Ensure sensor is not faulted.
2. Put the ClareOne panel into sensor pairing mode. For detailed programming instructions, refer to the [ClareOne Wireless Security and Smart Home Panel User Manual \(DOC ID 1871\)](#).
3. Tamper the sensor.

- Follow the ClareOne panel's on-screen prompts to name the sensor and make any desired changes to its default settings.

### Glass break sensitivity

The sensors sensitivity range can be adjusted by selecting the DIP switch positions.

Set the sensitivity based on the desired range in order to prevent unintentional activations from other sources.

Figure 3: DIP switch

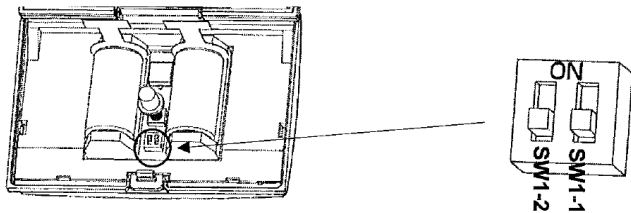


Table 1: Detection range

Sensitivity	Range	SW 1-1	SW 1-2
Lowest	4.92 ft (1.5m)	On	On
Low	8.20 ft (2.5m)	On	Off
Medium	13.12 ft (4m)	Off	On
Maximum	19.68 ft (6m)	Off	Off

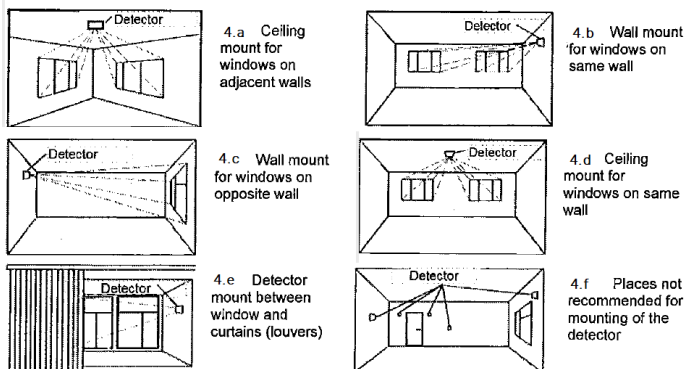
### To adjust the range DIP switches:

- Gently press down on the lock, and then swing the top cover out and away from the bottom cover.
- Slide the SW 1-1 switch to the desired position.
- Slide the SW 1-2 switch to the desired position.
- Swing the top cover back into position, making sure it engages the lock.

### Installation

Once the sensor is tested, paired, and its range is set, mount the sensor.

Figure 4: Sensor mounting



### Notes

- It is recommended that the unit be mounted at a height of at least 6.5 ft (1.98m), see fig. 4.
- When the unit is installed in vicinity with active ultrasonic sensors, the distance between units must be at least 4 ft (1.2m).
- All areas of glass to be monitored shall be within a clear line of sight of the unit. Distance from the unit to the most remote point of monitored glass shall not exceed 20 ft (6.05m).

### To install the sensor:

- Open the sensor by pressing on the lock and swinging the top cover away from the bottom cover.
- Place the sensor in the desired location and mount the sensor using the supplied screws or 3M tape.
- Mount the magnet into the desired location using the supplied screw and lock washer, making sure the alignment mark lines up with the sensor mark.

### Sensor LED

The following section details the sensor's LED state.

Table 2: LED conditions

Condition	LED state
Power up	Flash 3 times, once per second
Test Mode/event detected	Flash once per second (slow)
Test Mode/alarm	Flash 2 seconds (quick)
Working/alarm	On for 5 seconds
Low battery	Flash once every 30 seconds

### Specifications

Compatible panel	ClareOne (CLR-C1-PNL1)
Transmitter frequency	433 MHz
Encrypted	Yes
Transmitted indications	Alarm, tamper, low battery
Supervisory	60-70 minutes
Max detection range	20 ft (6.09m)
Min detection range	5 ft (1.5m)
Glass thickness	Plate glass at 3mm thickness
Microphone	Omni-directional with 360° coverage pattern
Battery type	(2x) 3 VDC Lithium Battery, CR123A
Battery life	Up to 8 years
Operating environment	
Temperature	14 to 122°F (-10 to 50°C)
Relative humidity	95%
Storage temperature	-30 to 140° F (-34 to 60° C)
Dimensions	3.9 x 2.75 x 1.5 in. (99.06 x 69.85 x 38.1 mm)
Certification	FCC: 2ABBZ-RF-GBA-433 IC: 11817A-RFGBA433
ETL, ETLC	Pending

## Regulatory information


Manufacturer	Clare Controls, Llc. 7519 Pennsylvania Ave, Suite 104 Sarasota, FL 34243
North American standards	<b>FCC: 15.109 Class B 15.231, Industry Canada: ICES-003, RSS-210</b>
FCC compliance	<p>FCC / IC Statement</p> <p>This equipment has been tested and found to comply with the limits for a Class B digital device, pursuant to Part 15 of the FCC Rules. These limits are designed to provide reasonable protection against harmful interference in a residential installation.</p> <p>Per FCC 15.19 (a) (3) and (a) (4), This device complies with part 15 of the FCC Rules. Operation is subject to the following conditions: (1) this device may not cause harmful interference, and (2) this device must accept any interference received, including interference that may cause undesirable operation.</p> <p>Per FCC 15.21, The user manual or instruction manual for an intentional or unintentional radiator shall caution the user that changes or modifications not expressly approved by the party responsible for compliance could void the user's authority to operate the equipment. This equipment generates, uses and can radiate radio frequency energy and, if not installed and used in accordance with the instructions, may cause harmful interference to radio communications. However, there is no guarantee that interference will not occur in a particular installation.</p> <p>If this equipment does cause harmful interference to radio or television reception, which can be determined by turning the equipment off and on, the user is encouraged to try to correct the interference by one or more of the following measures:</p> <ul style="list-style-type: none"> <li>•Reorient or relocate the receiving antenna.</li> <li>•Increase the separation between the equipment and receiver.</li> <li>•Connect the equipment into an outlet on a circuit different from that to which the receiver is connected.</li> <li>•Consult the dealer or an experienced radio/TV technician</li> </ul> <p>for help. This device complies with Industry Canada license-exempt RSS standard(s). Operation is subject to the following two conditions: (1) this device may not cause interference, and (2) this device must accept any interference, including interference that may cause undesired operation of the device. Cet appareil est conforme avec Industrie Canada exempts de licence standard RSS (s). Son fonctionnement est soumis aux deux conditions suivantes: (1) cet appareil ne doit pas provoquer d'interférences et (2) cet appareil doit accepter toute interférence, y compris celles pouvant causer un mauvais fonctionnement de l'appareil. In accordance with FCC requirements of human exposure to radio frequency fields, the radiating element shall be installed such that a minimum</p>

separation distance of 20 cm is maintained from the general population.

FCC: 2ABBZ-RF-GBA-433

IC: 11817A-RFGBA433

This device complies with Part 15 of the FCC Rules. Operation is subject to the following two conditions: (1) This device may not cause harmful interference, and (2) this device must accept any interference received, including interference that may cause undesired operation. Changes or modifications not expressly approved by the party responsible for compliance could void the user's authority to operate the equipment. This Class B digital apparatus complies with Canadian ICES-3B. Cet appareil numérique de la classe B est conforme à la norme NMB-003 du Canada. MANUFACTURER HEREBY DISCLAIMS ALL WARRANTIES AND REPRESENTATIONS, WHETHER EXPRESS, IMPLIED, STATUTORY OR OTHERWISE INCLUDING (BUT NOT LIMITED TO) ANY WARRANTIES OF MERCHANTABILITY OR FITNESS FOR A PARTICULAR PURPOSE WITH RESPECT TO THESE PRODUCTS AND ANY RELATED SOFTWARE. MANUFACTURER FURTHER DISCLAIMS ANY OTHER IMPLIED WARRANTY UNDER THE UNIFORM COMPUTER INFORMATION TRANSACTIONS ACT OR SIMILAR LAW AS ENACTED BY ANY STATE. (USA only) SOME STATES DO NOT ALLOW THE EXCLUSION OF IMPLIED WARRANTIES, SO THE ABOVE EXCLUSION MAY NOT APPLY TO YOU. THIS WARRANTY GIVES YOU SPECIFIC LEGAL RIGHTS AND YOU MAY ALSO HAVE OTHER LEGAL RIGHTS THAT VARY FROM STATE TO STATE. MANUFACTURER MAKES NO REPRESENTATION, WARRANTY, COVENANT OR PROMISE THAT ITS ALARM PRODUCTS AND/OR RELATED SOFTWARE (I) WILL NOT BE HACKED, COMPROMISED AND/OR CIRCUMVENTED; (II) WILL PREVENT, OR PROVIDE ADEQUATE WARNING OR PROTECTION FROM, BREAK-INS, BURGLARY, ROBBERY, FIRE; OR (III) WILL WORK PROPERLY IN ALL ENVIRONMENTS AND APPLICATIONS.

Environmental class	UL: Indoor dry IEC: 3K5
EU compliance	
EN 54	EN 54-00:0000
European Union directives	1999/5/EC (R&TTE directive): Hereby, Clare Controls declares that this device is in compliance with the essential requirements and other relevant provisions of Directive 1999/5/EC.



2002/96/EC (WEEE directive): Products marked with this symbol cannot be disposed of as unsorted municipal waste in the European Union. For proper recycling, return this product to your local supplier upon the purchase of equivalent new equipment, or dispose of it at designated collection points. For more information see: [www.recyclethis.info](http://www.recyclethis.info).



2006/66/EC (battery directive): This product contains a battery that cannot be disposed of as unsorted municipal waste in the European Union. See the product documentation for specific battery information. The battery is marked with this symbol, which may include lettering to indicate cadmium (Cd), lead (Pb), or mercury (Hg). For proper recycling, return the battery to your supplier or to a designated collection point. For more information see: [www.recyclethis.info](http://www.recyclethis.info).

---

## Warranty information

Clare Controls offers a two (2) year limited warranty on original Clare Controls components, from the date of shipment from Clare Controls.

## Contact information

Clare Controls, LLC.  
7519 Pennsylvania Ave, Suite 104  
Sarasota, FL 34243

General: 941.328.3991  
Fax: 941.870.9646  
[www.clarecontrols.com](http://www.clarecontrols.com)

Integrator/Dealer Support: 941.404.1072  
[claresupport@clarecontrols.com](mailto:claresupport@clarecontrols.com)

Homeowner Support (ClareCare): 941.315.2273 (CARE)  
[help@clarecontrols.com](mailto:help@clarecontrols.com)