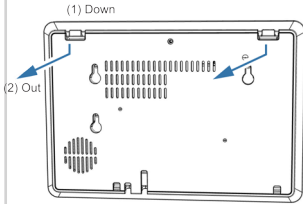


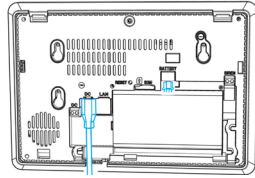
Before starting installation see standards on residential installation, refer to Installation of Residential Fire Warning Systems, CAN/ULC-S540. The system must be installed in accordance with Chapter 29 of the National Fire Alarm and Signaling Code, ANSI/NFPA 72.

# 1 PANEL MOUNTING

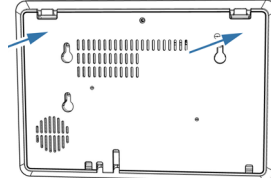
## DESK



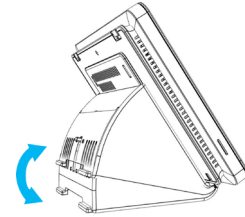
Remove the backplate, exposing the battery.



Attach the power supply. Verify that the battery is plugged in.



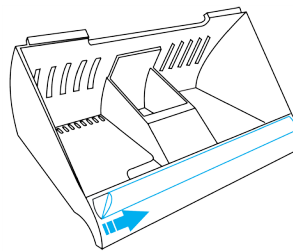
Press the backplate gently back in place.



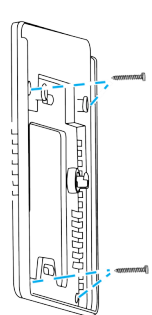
Connect the panel stand, and then slide to the desired position.

### DESK MOUNTING NOTES

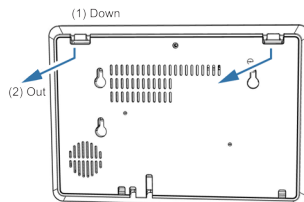
- The panel must be mounted at least 1ft from a table edge, a heat or water source, and any sources of interference.
- Peel the clear film from the anti-skid rubber on the bottom of the panel mount. If this film is not removed, the panel may slide on a tabletop.



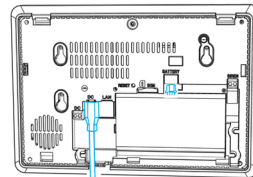
## WALL



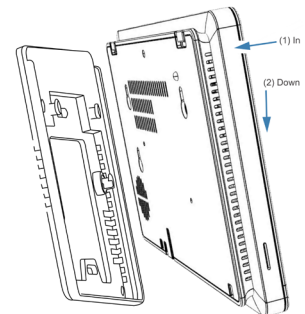
Place the mounting bracket against the wall, and then use the included screws to attach the mount to the wall.



Remove the backplate, exposing the battery.

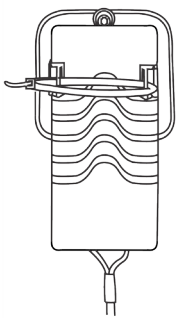


Attach the power supply to the panel.



Press the panel onto the mounting bracket, and then slide the panel downward.

# 2 POWER

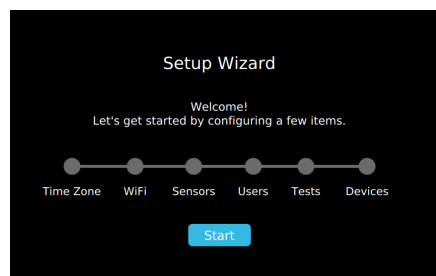


Connect power supply with bracket to the wall.

Do not connect to a receptacle controlled by a switch.

Note: For additional power options, refer to the full manual DOC 1871.

# 3 WIZARD



Follow the displayed onscreen wizard.

# 4 OPTIONAL - INSTALL ASSIST



Use the Clare Controls Install Assist app to add smart home devices.

# 5 ENJOY!

Rest secure with ClareOne and enjoy the benefits of a safe, smart, and happy home with Clare Contols.

## TECH SUPPORT-

Integrator/Dealer Support:  
941.404.1072  
claresupport@clarecontrols.com

Clare Controls, LLC.  
General: 941.328.3991  
Fax: 941.870.9646  
www.clarecontrols.com

Homeowners should contact their dealer for assistance.



To view the full manual DOC 1871, scan the QR code or access the link below.  
<http://bit.ly/35RJzMd>

## REGULATORY

ETL listed to UL 1023, UL 985, UL 1610, ULC C1023, ULC S545, ULC S304

This device complies with part 15 of the FCC Rules. Operation is subject to the following two conditions: (1) This device may not cause harmful interference, and (2) this device must accept any interference received, including interference that may cause undesired operation.

This equipment should be installed in accordance with Chapter 29 of the National Fire Alarm and Signaling Code, ANSI/NFPA 72, (National Fire Protection Association, Batterymarch Park, Quincy, MA 02269).

This device complies with Part 15 of the FCC Rules. Operation is subject to the following two conditions: (1) this device may not cause harmful interference, and (2) this device must accept any interference received, including interference that may cause undesired operation.

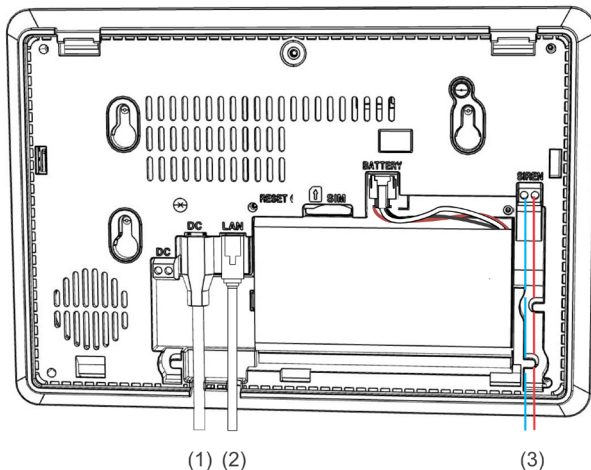
Note: This equipment has been tested and found to comply with the limits for a Class B digital device, pursuant to Part 15 of the FCC Rules. These limits are designed to provide reasonable protection against harmful interference in a residential installation. This equipment generates, uses and can radiate radio frequency energy and, if not installed and used in accordance with the instructions, may cause harmful interference to radio communications. However, there is no guarantee that interference will not occur in a particular installation. If this equipment does cause harmful interference to radio or television reception, which can be determined by turning the equipment off and on, the user is encouraged to try to correct the interference by one or more of the following measures:

- Reorient or relocate the receiving antenna.
- Increase the separation between the equipment and receiver.
- Connect the equipment into an outlet on a circuit different from that to which the receiver is connected.
- Consult the dealer or an experienced radio/TV technician for help.

Warning: changes or modifications not expressly approved by the party responsible for compliance could void the user's authority to operate the equipment.

This equipment complies with FCC radiation exposure limits set forth for an uncontrolled environment. This equipment should be installed and operated with minimum distance 20cm between the radiator and your body.

## WIRING DIAGRAM

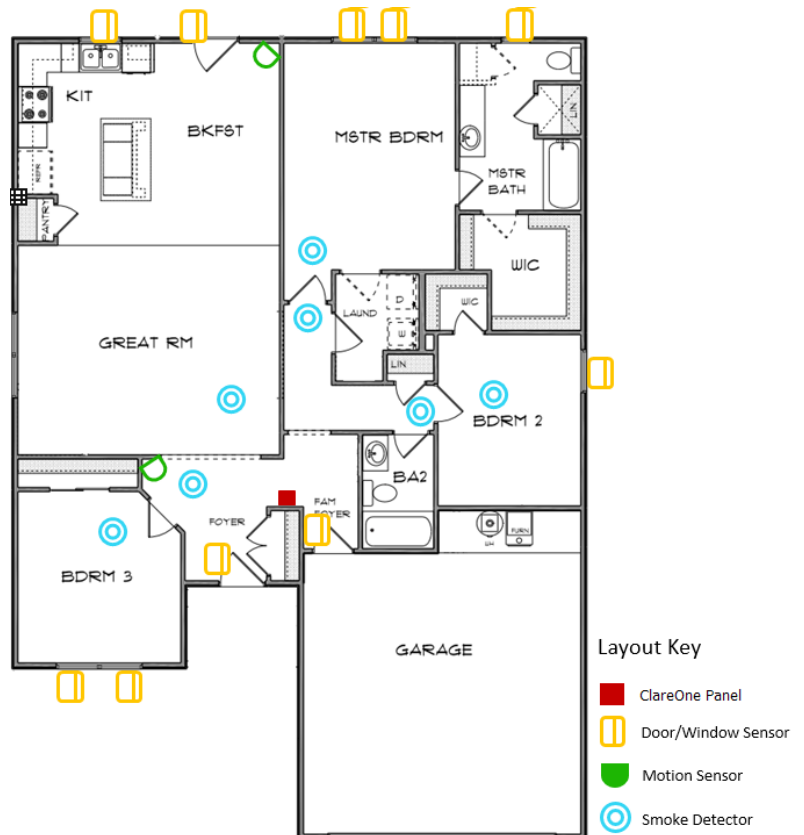


- (1) Power supply to connect to a non-switch controlled outlet.
- (2) (Optional) Ethernet cable to connect to router.
- (3) (Optional) Wires to connect an external siren.  
Use recognized energy limited cable for connection.

### Battery notes:

- For battery replacement order CLR-C1-BATT
- Maximum Battery Voltage: 4.35V DC
- Maximum Battery Capacity: 5200mAh
- Maximum Charging Current: 2600mA
- Standard Charging Current: 1040mA
- Battery Duration: 24 hours + 4 minutes of continued alarm after the 24 hour period

## TYPICAL INSTALLATION LAYOUT



Note: The maximum installation range is 820 ft (250 m). The distance may be significantly reduced when the equipment is installed in a typical home.