

CONNECTING AND CHECKING SPEAKER PHASE

To ensure proper speaker connections, perform the following steps:

1. At each loudspeaker connection, ensure that at least 2 inches of each conductor are separated. Strip the insulation on each conductor approximately $\frac{1}{4}$ " and insert into the speaker terminals. Ensure that there are no stray strands of wire protruding from the connectors. Observe proper polarity (+ to + and – to – for each speaker and at the amplifier).

If you connect your speakers out of phase, one loudspeaker will be playing at the opposite 'time' as the other, which will result in sound that lacks bass and sounds "thin" or "distant" with vocals. If you suspect the sound is not right and you cannot see any markings on the wire to verify polarity is correct, try this simple test:

- Sit with equal distance to the speakers.
 - Play some music with your receiver set to Mono.
 - Listen to the bass. Is it full or thin? Listen to volume of the bass as well.
 - Turn off your receiver and reverse the connections for one of the speakers.
 - Repeat your test at the same volume level. When the sound has the loudest and best sounding bass and also sounds best in the vocal region, your connections are correct and in-phase.
2. Turn on the home theater receiver and calibrate all loudspeakers in the system according to the receiver (or surround processor) manufacturer's instructions.

INSTALLING AND REMOVING THE GRILL

- The grill is held by magnets. To install the grill, hold it about $\frac{1}{2}$ " from the front of the speaker with equal distance to the top, bottom, left and right. Note that the wider opening on the back of the ES-500-SAT-4 grill is in front of the woofer (towards the bottom of the speaker). Move the grill back towards the speaker until the magnets snap it in place.

CLEANING

- Use a dampened soft cloth or paper towel to clean the cabinet. The grill is best cleaned by brushing it off with a lint-free cloth.

WARRANTY

Limited Lifetime Warranty

Episode in-wall, in-ceiling and bookshelf Speakers have a Lifetime Limited Warranty. This warranty includes parts and labor repairs on all components found to be defective in material or workmanship under normal conditions of use. This warranty shall not apply to products which have been abused, modified or disassembled. Products to be repaired under this warranty must be returned to SnapAV or a designated service center with prior notification and an assigned return authorization number (RA).



OWNER'S MANUAL

>> BOOKSHELF SPEAKERS

ES-500-SAT-4

ES-500-LCR-4



Thank you for purchasing a great product from one of the best sounding speaker lines available today, Episode™. We appreciate your purchase and are committed to providing the highest quality products possible.

The Episode bookshelf models are a superb choice for almost every type of home theater or home audio installation. They have been designed with advanced technological components that allow for high performance and a lifetime of enjoyment.

IMPORTANT INSTRUCTIONS AND CONSIDERATIONS

- Read and understand all instructions.
- Before beginning installation, carefully plan locations accounting for potential electrical, plumbing or other obstacles.

GENERAL GUIDELINES

- Keep speakers about 2 feet away from corners and other surfaces that might interfere with or reflect sound, such as tall furniture.

RECOMMENDED AMPLIFIER POWER

- To get the best performance from your Episode ES-500-SAT-4 or ES-500-LCR-4 speaker, we recommend you power it with an amplifier or receiver with a power rating between 20 and 80 Watts RMS per channel.

SPEAKER WIRE

- To connect your ES-500-SAT-4 or ES-500-LCR-4 speaker to your amplifier, we recommend high quality 14 to 16 gauge stranded speaker wire. The wire may be connected directly to the speaker's five-way binding posts or terminated with either spade lugs or banana plugs.

SPEAKER PLACEMENT

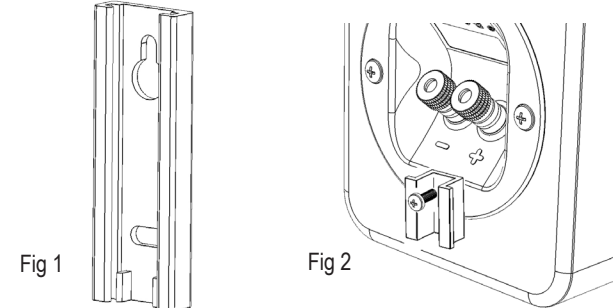
- For most applications, the ES-500-SAT-4 or ES-500-LCR-4 should be placed at approximately ear height – which is about 40 to 50 inches from the floor for situations in which the listeners will be seated. This positioning will provide the clearest sound and best dialog intelligibility.
- For Center channel applications, place the ES-500-SAT-4 or ES-500-LCR-4 directly above or below the screen, or behind it in installations where a perforated screen is used. Using the optional ES-BRKT-BALL (not included) to angle the speaker slightly upward or downward to focus the tweeter at the listening position may be necessary for the best sound.
- For Left and Right speaker applications, place the speakers on either side of the screen at equal distances from the center of the screen. Ideally, the two speakers should be spaced 6 to 12 feet apart. Left and Right speakers should also be equal to or less than the distance (about 8 to 20 feet) away from the center of the primary listening position. Using the optional ES-BRKT-BALL to angle the speakers towards the listening position may be necessary for the best sound.
- When used as a Surround or Surround Back speaker, the ES-500-SAT-4 or ES-500-LCR-4 should be placed to the side or rear of the listening area respectively. When used as a surround, the speaker should typically be placed approximately 65 to 75 inches from the floor, and as far from the listening area as the room dimensions allow – this will provide for a more enveloping surround effect.

ADJUSTMENTS

- Refer to the manual for the receiver or amplifier to make sound adjustments such as bass, treble and balance to obtain the preferred sound, as well as surround modes and effects when used in a surround sound system.

WALL MOUNTING

- Use the included wall mounting bracket to mount the ES-500-SAT-4 or ES-500-LCR-4 speaker on a wall. Be sure to use a screw (not included) or other mounting hardware capable of supporting the weight of the ES-500-SAT-4 (5.4 lbs.) or ES-500-LCR-4 (9.2 lbs.). Also, be certain that the screw is installed securely into solid material, such as a stud located in the wall or a suitable wall anchor.



- Mount the wall bracket on the wall at the desired location with the 'key hole' on top (Fig.1). Remove one of the screws in the terminal cup on the back of the speaker and install the speaker bracket into this location using the included bolt (Fig. 2). Make sure the bracket is 'square' with the speaker.
- Install the speaker by sliding the speaker bracket into the wall bracket.

SURFACE PLACEMENT

- Install four rubber feet (included) on the bottom of the speaker when placed on a flat surface such as a shelf or the top of a cabinet.