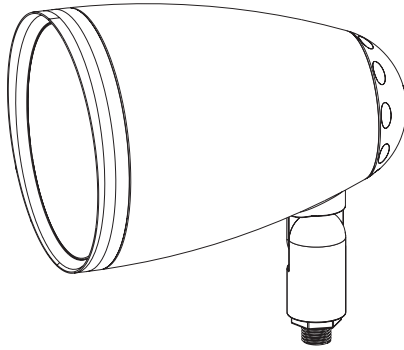


 episode

**INSTALLATION MANUAL  
LANDSCAPE SPEAKERS**



**REAL. LIFE. SOUND.**



## INTRODUCTION

Thank you for purchasing Episode® speakers. To complete installation, follow these instructions. Visit our website for design recommendations and speaker calculators.

## PACKAGE CONTENTS

- ES-LS-SAT-4-BRN, ES-LS-SAT-6-BRN, or ES-LS-SAT-8-BRN
- Weatherproof Wire Nuts

**NOTE:** Mounting options are sold separately.

## TOOLS REQUIRED

- #2 Philips Screwdriver
- Wire Stripper



## SETUP

### Determining Speaker Locations

- Plan locations with no more than 25'-30' spacing between satellite speakers. Using more speakers in an area allows for more even sound coverage. The final volume of the speakers can be set using the 70 volt systems wattage tap setting. See the *FINE TUNE* section on page 6.
- Install landscape speakers at ground level pointing toward the center of an area to help reduce sound escaping to other areas.
- If using a stereo sound system, place left and right speakers evenly to avoid uneven sound.

### Mounting Considerations

- The upward angle must be at 45° or less to prevent water from collecting in the speaker driver. While water alone will not damage the speaker, it will prevent it from playing properly until the water evaporates. If water freezes, damage to the speaker may occur.
- Clearance around the speaker is required for mounting, connecting, and adjusting the angle of the speaker. Care should be taken while selecting the mounting area so that the speakers do not become a trip hazard or an obstacle for landscaping equipment.
- The speakers will not be damaged by normal rainfall, however sprinkler systems may cause damage to the internal audio components. Avoid placing the speakers within direct sprinkler stream areas.

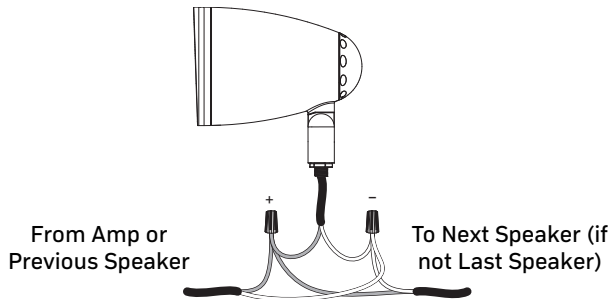


## CONNECT

**⚠ CAUTION:** Do not supply power to the amplifier or connect the speaker line until all other connections have been made.

**NOTE:** The silicone-filled weatherized wire nuts included with this kit are specially designed to be used for direct burial installations. An equivalent connector must be used for any wiring in the system that could be exposed to water or weather.

1. Attach the mount to the speaker.
2. Carefully route the speaker cable into the speaker mount, to avoid damage to the wire insulation.
3. Strip the outer jacket of the cable by at least 2" to separate it from the insulated wires inside. Cut the wire to make a splice point if a location has a wire loop.
4. Strip the insulation on each conductor back approximately  $\frac{1}{2}$ ".
5. Twist the wires from the run in a clockwise direction with the speaker wires ensuring all - (negative) wires and all + (positive) wires are bundled together separately.



6. Insert each set of wires into a waterproof wire nut and twist the nut clockwise until it is firmly seated and completely covering the bare copper. A small amount of silicone may press out of the wire nut as the wires are inserted and should be left on the wire for the most reliable connection.
7. Close or secure the connections and the speaker mount per the mount instructions or local building codes.

**⚠ CAUTION:** Applying too much pressure when installing some mounting options may result in damage.

8. Set the transformer switch to the correct tap setting per the *Transformer Tap Settings* section before connecting an amplifier to the system.



## SECURE

### Loudspeaker Mounting and Angle Adjustments

Close or secure the connections and the speaker mount per the mount instructions or local building codes.

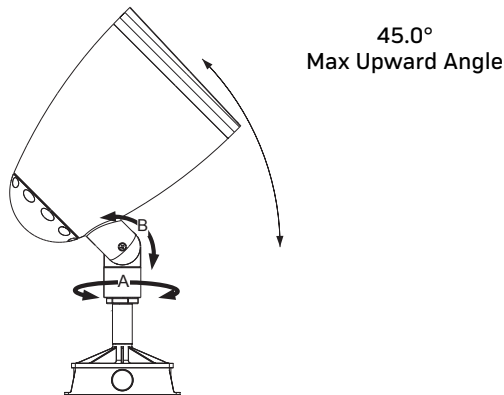
**! CAUTION:** Applying too much pressure when installing some mounting options may result in damage.

#### Pan

The pan adjustment of the speaker allows for left to right alignment of sound coverage. This is adjusted using the mounting base threads and lock nut. After attaching the speaker to a compatible mounting accessory, route the lead wires on the speaker into the mounting device, and then thread the speaker base in, leaving about  $\frac{1}{2}$  turn of play to allow for final adjustment. After the speaker is installed and aimed correctly, use the lock nut on the threads to lock it in place at the correct position.

#### Tilt

The tilt adjustment allows for up and down adjustment of sound coverage. Adjust the angle of the speaker by loosening the set screw on the pivot bracket as illustrated. Adjust the angle to the desired position and re-tighten the screw.

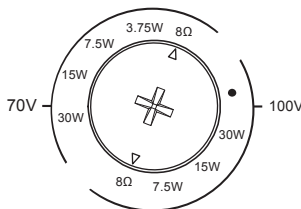




## FINE TUNE

### Transformer Tap Settings

The landscape speakers have an adjustable tap setting switch located under the removable rear cover. To adjust, rotate the tap setting dial to the desired setting.



The landscape speakers used in 70/100 volt systems can be set to different wattages for more or less volume at one particular speaker. This makes it much easier to fine tune a system for even listening volume.

**! CAUTION:** The speaker tap must be set accordingly for the type of amplifier in use (8Ω or 70/100volt). Setting the transformer incorrectly for the amplifier used could damage the speakers or amplifier.

When the adjustments are complete and fully tested, install the rear cover of the speaker and hand-tighten it until it is secure.

### Connecting the Amplifier and Testing

1. After wiring each loudspeaker into the run and setting the taps, attach the speaker wires to the amplifier, making sure to mirror the wiring pattern used in the loudspeakers, + to + and - to -. Connect the amplifier to a source and to power, then test the system.
2. Listen to the system from several locations in the audible area. If an area is too loud or quiet, adjust speaker taps or the amplifier volume accordingly until the volume and sound quality is optimized.
3. After optimizing the settings, check the total wattage again to be sure the amp isn't being overworked. It is a good idea to let the system play for about a half hour after setup is done to ensure that the system is reliable.
4. Once the system has been set and tested, the wiring or conduit can be buried or hidden.



## TROUBLESHOOTING

Episode® speakers are designed to function trouble-free. Most problems that occur are due to simple issues. Refer to the list of fixes below, or contact Customer Service at 1.866.838.5052 if problems persist.

### No Sound

- Verify that there is audio coming from the selected source. Select another source if necessary.
- Ensure the audio source is turned on and properly connected.

## WARRANTY

### Lifetime Warranty

Episode® speakers have a Lifetime Warranty. This warranty includes parts and labor repairs on all components found to be defective in material or workmanship under normal conditions of use. This warranty shall not apply to products which have been abused, modified or disassembled. Products to be repaired under this warranty must be returned to SnapAV or a designated service center with prior notification and an assigned Return Authorization (RA) number.

## CONTACTING TECHNICAL SUPPORT

As a thank you for purchasing Episode® speakers, direct technical support services are available via phone or e-mail. We encourage you to use this resource for any questions or concerns about our products. Visit our website for more support documentation.

(866) 838-5052

[techsupport@snapav.com](mailto:techsupport@snapav.com)

[snapav.com](http://snapav.com)



© 2015 Episode®  
Rev: 150727-1315