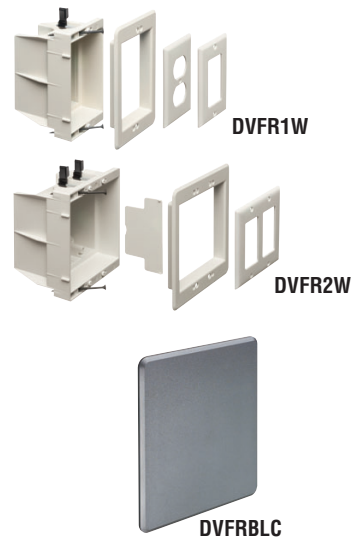




## Recessed Indoor IN BOX™ for New & Retrofit Construction

Non-metallic, recessed electrical box with trim plate. Accepts most single gang wiring devices and uses standard indoor wall plates or a GFCI cover plate.



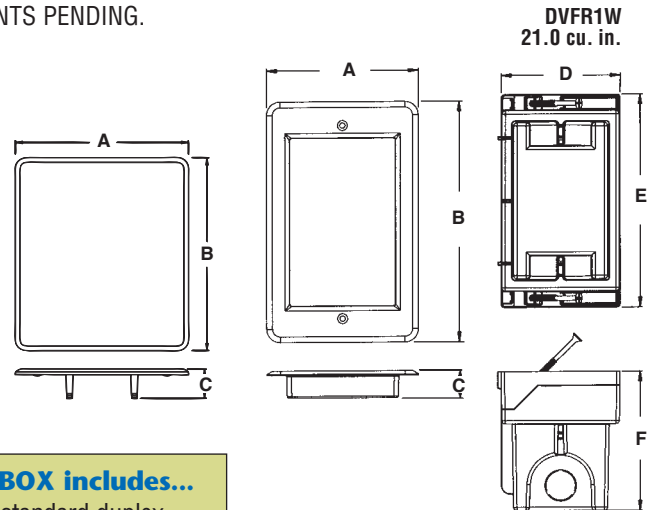
**New!**

CATALOG NUMBER	UPC/DCI/NAED MFG #01 8997	DESCRIPTION / CU.IN.	UNIT PKG	STD PKG	DIM A	DIM B	DIM C	DIM D	DIM E	DIM F
DVFR1W†	14330	Single Gang / 21.0	1	4	4.200	6.698	.750	3.301	5.926	3.875
DVFR1BL†	14329	Single-Gang, Black / 21.0	1	4	4.200	6.698	.750	3.301	5.926	3.875
DVFR2W*†	14331	2-Gang, White / 34.0	1	4	6.012	6.698	.750	5.112	5.926	3.875
DVFR2BL*†	14335	2-Gang, Black / 34.0	1	4	6.012	6.698	.750	5.112	5.926	3.875
DVFRFC	14337	Paintable, White Cover	10	10	6.012	6.698	1.017	-	-	-
DVFRBLC	14336	Black Cover	10	10	6.012	6.698	1.017	-	-	-

\*Includes Voltage Separator for power and/or low voltage.

†Add suffix "GC" to Catalog # when ordering in Canada, for example DVFR1WGC.

PATENTED. ADDITIONAL PATENTS PENDING.



### IN BOX™

#### Single Gang Indoor IN BOX includes...

Recessed box, trim plate, (1) standard duplex and (1) standard GFCI face plate, (1) NM94 cable connector, (2) mounting screws, and (2) installation screws.

#### Features and Benefits

- Recessed box allows items, such as furniture, to be placed closer to the wall
- Plugs don't extend past the wall like a regular box
- Trim plate is textured/paintable
- For power or low voltage applications
- Mounting wings hold bracket securely against wall when screws are tightened

#### DVFRFC is for use with Arlington's boxes...

- DVFR1W
- DVFR1BL
- DVFR2W
- DVFR2BL
- LVU1W
- LVU1BL
- LVU2W
- LVU2BL
- TVBU505
- TVBU505BL
- TVBU505K



**New Work...**  
Screws provided for fast and easy mounting to stud



**Attractive! DVFR1W shown.**



Optional box cover. DVFRFC shown.



Box positioning tabs are set for 1/2" or 5/8" drywall.