

**NEW!**  
See  
reverse

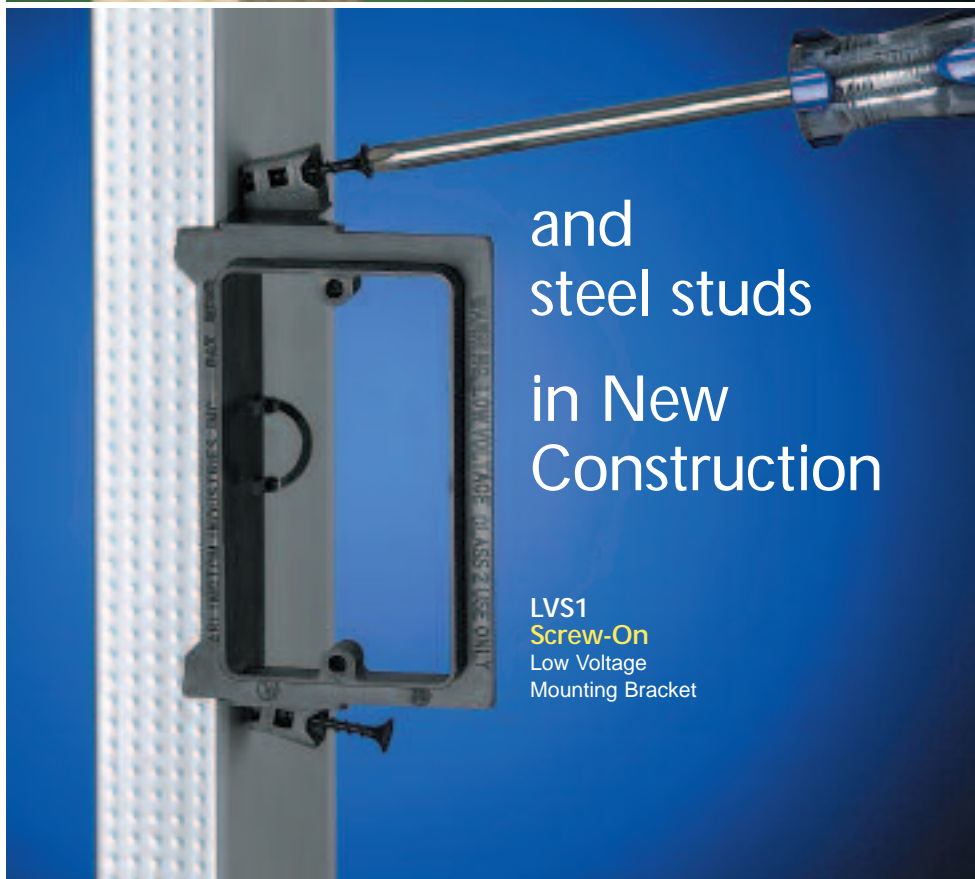
# Low Voltage Mounting Brackets

*Nail down the savings – Lower cost than mud rings!*



LVN1  
**Nail-On**  
Low Voltage  
Mounting Bracket

for wood...



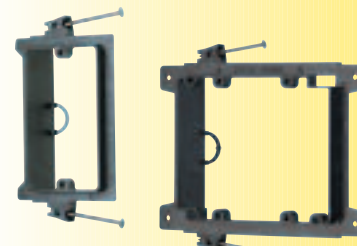
and  
steel studs  
in New  
Construction

LVS1  
**Screw-On**  
Low Voltage  
Mounting Bracket

*Designed for the installation of LOW VOLTAGE Class 2 wiring, Arlington's non-metallic Low Voltage Mounting Brackets offer the fast, easy and cost-effective way to install CAT 5, fiber optic, cable TV, and communications cable in new construction.*

*Available in two styles, nail-on for wood studs, and screw-on for wood or metal studs, these low voltage brackets are made of non-conductive plastic to protect cable from damage.*

- Eliminates pushback
- Competitively priced – cost less than plastic or steel mud rings
- Available in one and two-gang styles



LVN1

LVN2

LVS1, LVS2 not shown



Patent pending



**Arlington**

1 Stauffer Industrial Park  
Scranton, PA 18517  
800/233.4717  
Fax 570/562.0646  
[www.aifittings.com](http://www.aifittings.com)

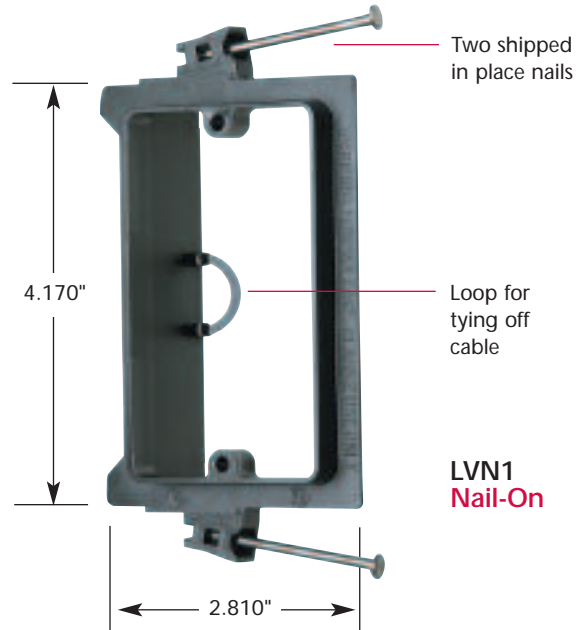
# Low Voltage Mounting Brackets

for CAT 5 • Fiber Optic • Cable TV • Communications

## NAIL-ON or SCREW-ON Non-metallic Low Voltage Mounting Brackets

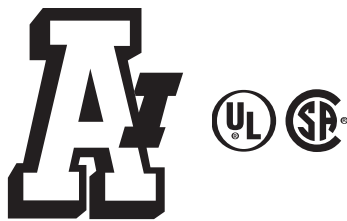
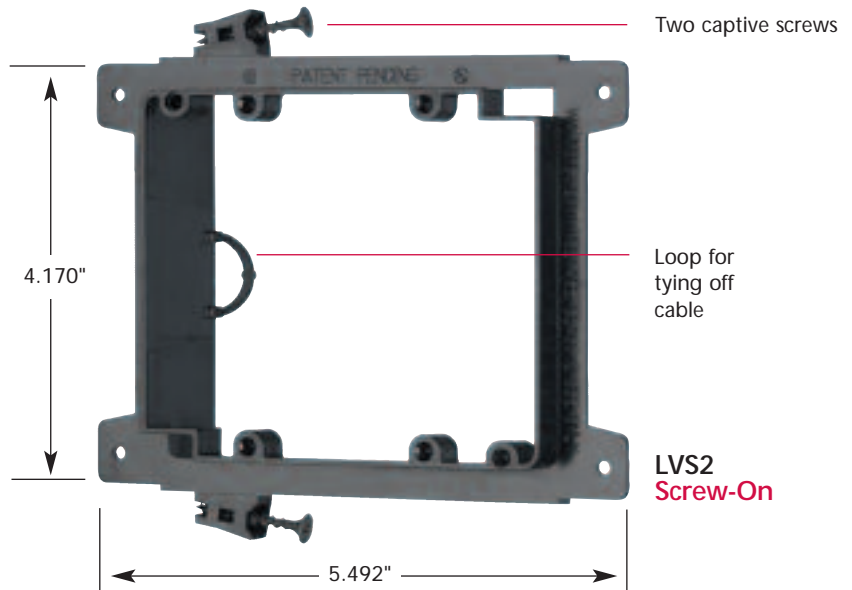
- Come complete with captive nails or screws, ready to install.
- Built-in loop for tying off cable.
- Nail-on bracket installs in 25% less time – and the screw-on style in 50% less time than steel or plastic mud rings.

Catalog Number	UPC/DCI/NAED MFG #01 8997	Description	Unit Pkg	Std Pkg
LVN1	00261	Nail-on/single gang	50	50
LVN2	00275	Nail-on/two-gang	50	50
LVS1	00262	Screw-on/single gang	50	50
LVS2	00280	Screw-on/two-gang	50	50



**Cost less than steel Mud Rings**

for New Construction



**Arlington**

1 Stauffer Industrial Park  
Scranton, PA 18517  
800/233.4717  
Fax 570/562.0646  
[www.aifittings.com](http://www.aifittings.com)

Distributed by