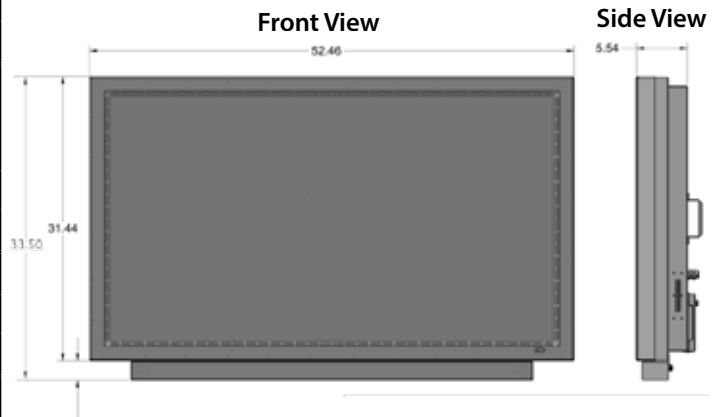
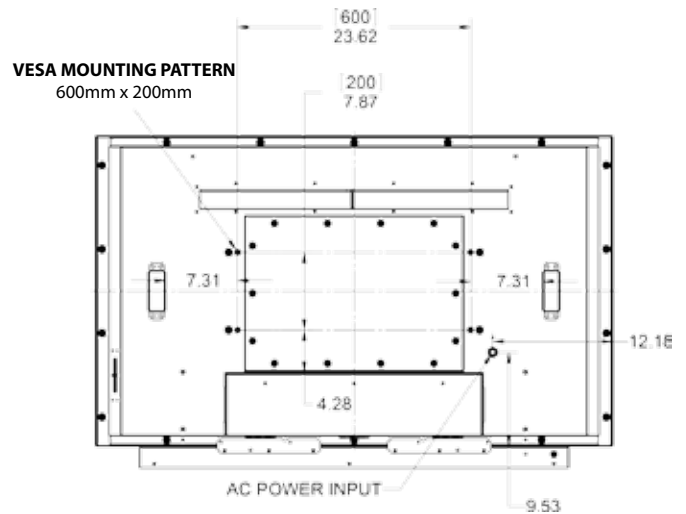


## SunBriteTV Model SB-5517HD

Screen	55-inch diagonal Color Active Matrix TFT LED LCD
Resolution	1920 x 1080 full-HD 1080p
Backlight Brightness - Surface Luminance, white	700 nits (cd/m <sup>2</sup> )
Aspect Ratio	16:9
Contrast Ratio	1300:1
Viewing Angle	178° x 178°
Response Time	12 milliseconds
TV formats	1080p, 1080i, 720p, 720i, 480p, 480i
Input Connectors:	
RF	Antenna/CATV (ATSC/QAM/NTSC) x1
HDMI	HDMI™ Input x2
Composite	S-Video x1 and Composite Video x1, L/R Audio Inputs x1
Video Component	YPbPr plus Stereo Audio x2
PC	15-pin D-sub VGA plus Stereo Audio
Control Set	RS232 Serial, Discrete IR Control, Concealed IR Window
Audio Out	Digital: SPDIF x 1 (fixed), Analog: 1/8" headphone jack (variable),
Speakers	10-watt x 2 channels, water-resistant detachable speaker module
Exterior	Powder-coated aluminum
Colors	Silver, Black and White
Input Power	100-240 VAC, 50-60 Hz (1.25a @ 120v)
Operating Temp.	-40° to 122° F. (-40° to 50° C.) *
Non-op. Temp. (Off-mode with power applied)	-40° to 140° F. (-40° to 60° C.) The non-operating temperature feature requires power to be applied
Accessories Included	Water-resistant remote control
TV Dimensions	52.46" W x 31.44" H (33.50" H with speakers) x 7.80" D
Weight	115.0 lbs; 120.0 lbs with speakers
Residential Warranty	Two-years, in-factory, parts and labor
Commercial Warranty	Two-years, in-factory, parts and labor
Mount Pattern	600mm x 200mm



All measurements are in inches, except those in [ ] are [metric]



07.24.2014

Specifications are subject to change.