

## PRODUCT INFORMATION

### PACKAGE CONTENTS

- Inner/outer pole assembly (1)
- Lock Bolt

### IMPORTANT WARNINGS

**CAUTION:** This accessory is intended for use only with a maximum load weight of 91 kg (200 lb). Use with heavier than the maximum weight indicated may result in instability causing possible injury. Refer to user instructions.



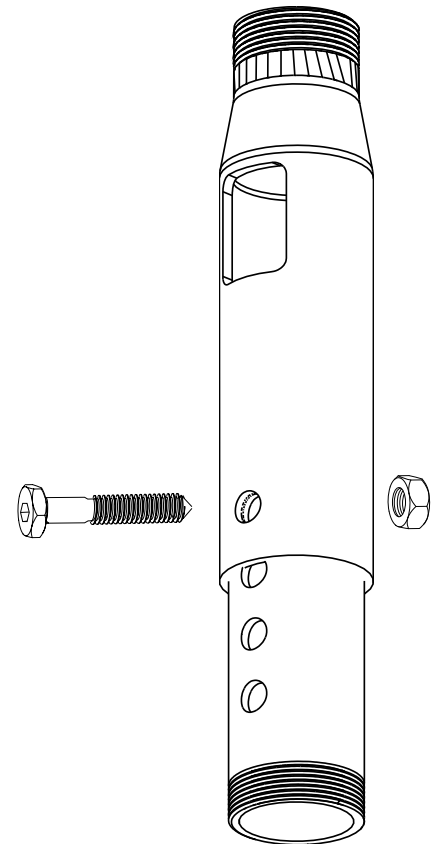
- This accessory is for use with SunBriteTV ceiling mounts and accessories with 1 1/2" - 11.5 NPT threads.
- Read and thoroughly understand these instructions before attempting installation. If you are unsure of any part of the installation process, contact a professional installer for assistance.
- The ceiling or mounting surface must be capable of supporting four times the combined weight of the mount and display; otherwise the structure must be reinforced.
- Safety gear and proper tools must be used. Failure to do so can result in property damage and/or serious injury.
- Follow all instructions and recommendations regarding adequate ventilation and suitable locations for mounting your display. Consult the owner's manual of your display for more information.
- TV display should be removed from mount in situations of high wind exceeding 97 kph (60 mph).
- All assembly fasteners and mounting plate attachment to ceiling should be inspected for signs of loosening or damage after any strong wind event and at least once annually. If any fasteners have loosened, retighten. If any damage is observed, remove mount from service.

## WARRANTY AND LEGAL INFORMATION

Find details of the product's Limited Warranty at [snapav.com/warranty](http://snapav.com/warranty) or request a paper copy from Customer Service at **866.424.4489**. Find other legal resources, such as regulatory notices and patent information, at [snapav.com/legal](http://snapav.com/legal). Contact Technical Support at **866.838.5052**.

Copyright ©2021 Wirepath Home Systems, LLC. All rights reserved. Control4 and SnapAV and their respective logos are registered trademarks or trademarks of Wirepath Home Systems, LLC, dba "Control4" and/or dba "SnapAV" in the United States and/or other countries. SunBriteDS and SunBriteTV are also registered trademarks or trademarks of Wirepath Home Systems, LLC. Other names and brands may be claimed as the property of their respective owners. SnapAV makes no claim that the information contained herein covers all installation scenarios and contingencies, or product use risks. Information within this specification subject to change without notice. All specifications subject to change without notice.

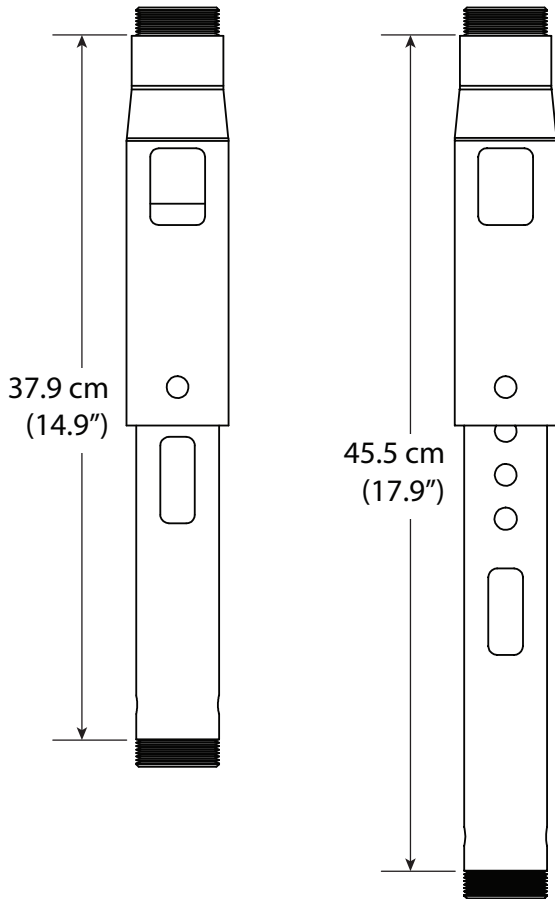
## INSTALLATION



1. During ceiling mount assembly, thread the pole into the ceiling plate, then to the mount assembly.
2. Once installation is complete, insert the through-bolt and secure it with the nut at the desired length.
3. Tighten all set screws using the included hex key.
4. Optional: Route wiring through the pole and the wire access opening.

## DIMENSIONS

SB-POLE-A-S-BL



SB-POLE-A-M-BL

