

PRODUCT INFORMATION

PACKAGE CONTENTS

- Inner/outer pole assembly (1)
- Lock Bolt

IMPORTANT WARNINGS



CAUTION: This accessory is intended for use only with a maximum load weight of 91 kg / 200 lbs. Use with heavier than the maximum weight indicated may result in instability causing possible injury. Refer to User Instructions.

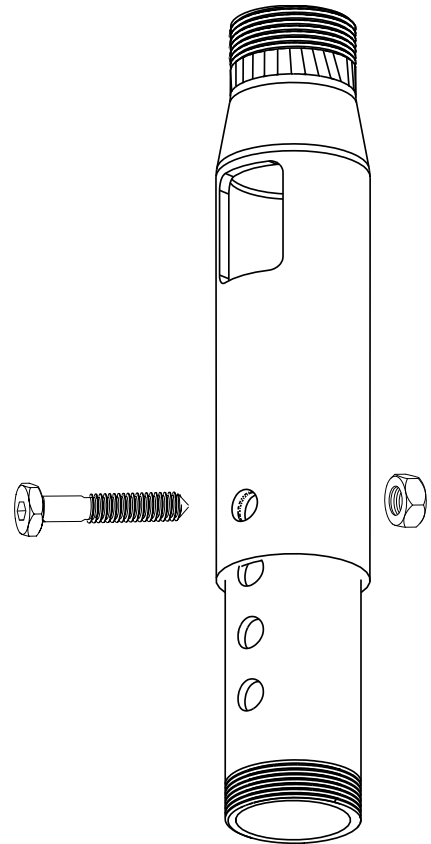
- This accessory is for use with SunBriteTV ceiling mounts and accessories with 1 1/2" - 11.5 NPT threads.
- Read and thoroughly understand these instructions before attempting installation. If you are unsure of any part of the installation process, contact a professional installer for assistance.
- The ceiling or mounting surface must be capable of supporting four times the combined weight of the mount and display; otherwise the structure must be reinforced.
- Safety gear and proper tools must be used. Failure to do so can result in property damage and/or serious injury.
- Follow all instructions and recommendations regarding adequate ventilation and suitable locations for mounting your display. Consult the owner's manual of your display for more information.

LIFETIME LIMITED WARRANTY

SunBriteTV[®] Mounts have a Lifetime Limited Warranty. This warranty includes parts on all components found to be defective in material or workmanship under normal conditions of use. This warranty shall not apply to products which have been abused, modified or disassembled. Products to be repaired under this warranty must be returned to SunBriteTV or a designated service center with prior notification and an assigned return authorization (RA) number.

Technical Support 866.838.5052

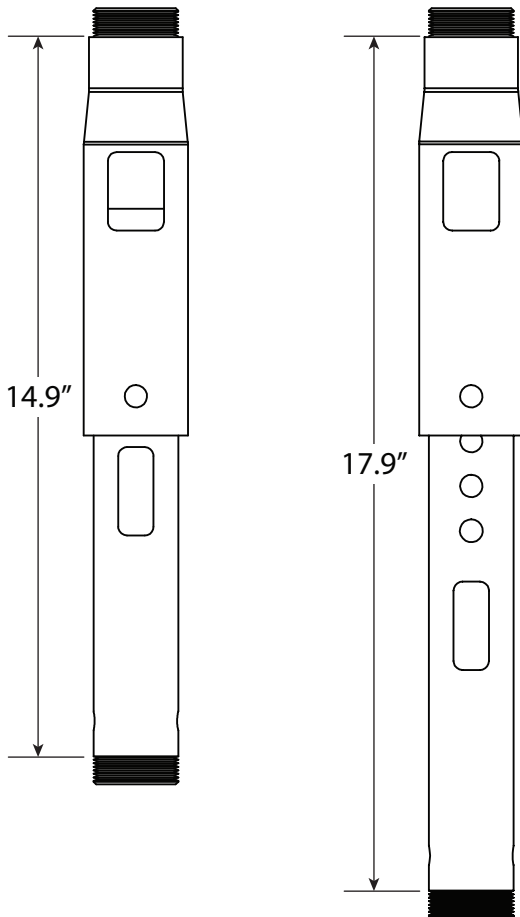
INSTALLATION



1. During ceiling mount assembly, thread the pole into the ceiling plate, then to the mount assembly.
2. Once installation is complete, insert the through-bolt and secure it with the nut at the desired length.
3. Tighten all set screws.
4. Optional: route wiring through the pole and the wire access opening.

DIMENSIONS

SB-POLE-A-S-BL



SB-POLE-A-M-BL

