
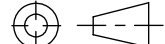
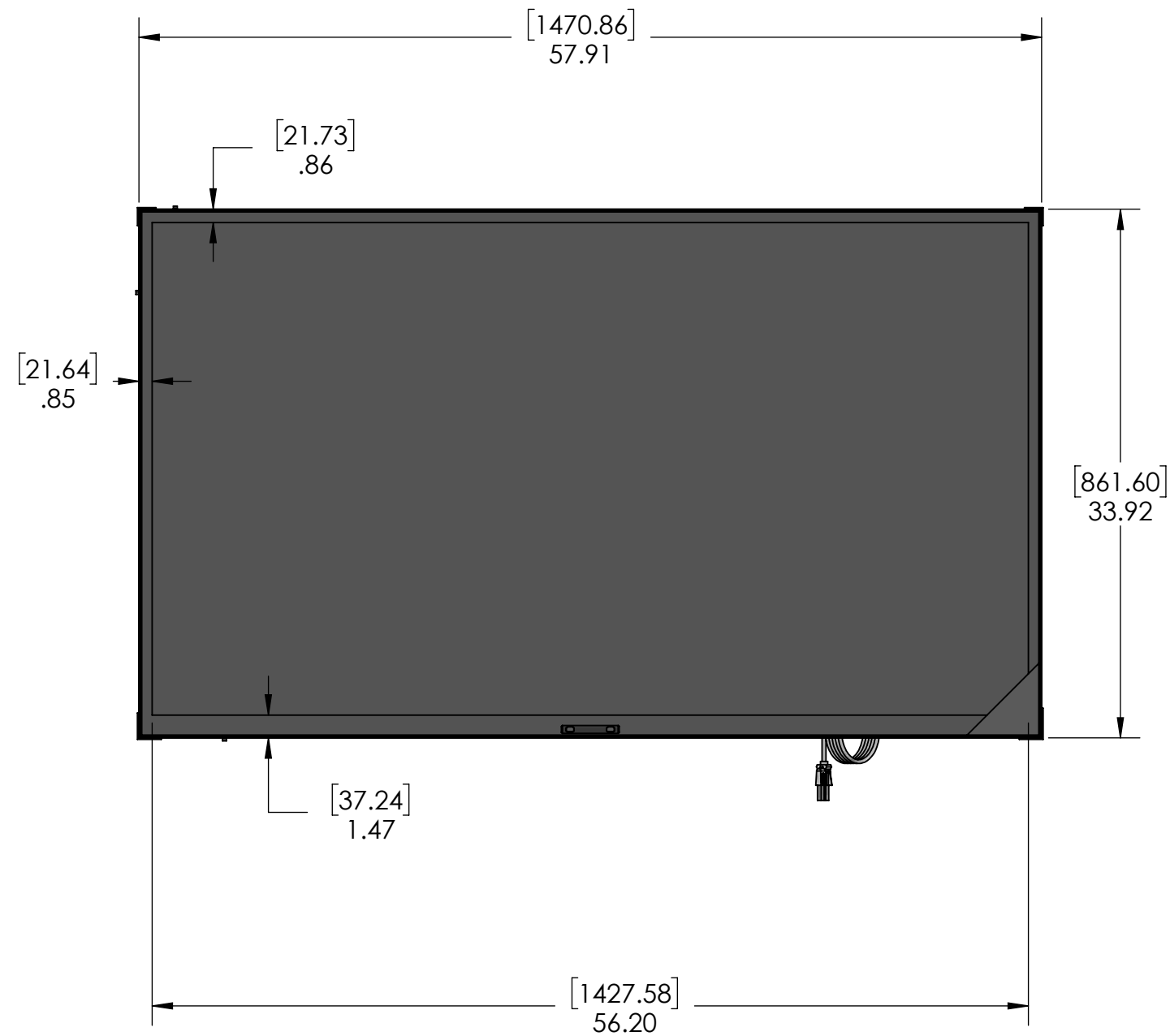



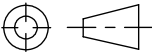
FOR MISSING DIMENSIONS AND FEATURE LOCATIONS REFER TO 3D CAD MODEL

NOTE: UNLESS OTHERWISE SPECIFIED

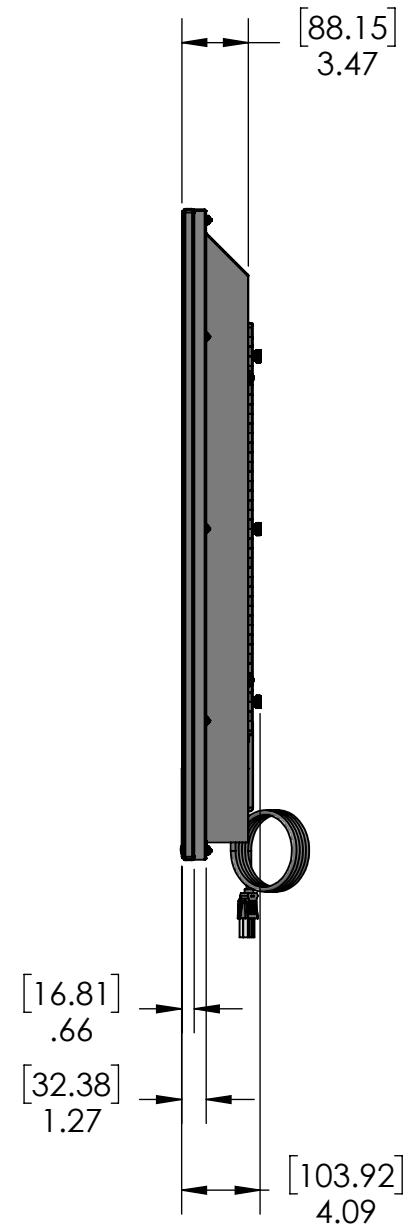
MATERIAL		The information herein is the property of SunBriteTV. No portion of this data shall be released, disclosed, used, or duplicated for any purposes without the written consent of SunBriteTV.		 2630 Townsgate Rd. Suite F. Westlake Village, CA 91361	
FINISH	NOTE 3	APPROVALS	DATE	TITLE	
FRACTIONS ±.030	DECIMALS ±.05	DESIGN CM	9/15/2021	SB 65V3 Top Assembly Ortho	
	ANGLES ± 1°	DRAWN CM		SIZE B	SCALE 1:10
UNLESS OTHERWISE SPECIFIED DIMENSIONS ARE IN INCHES		CHECKED		PART #	REV
THIRD ANGLE PROJECTION				20031307	1.4
		SHEET 1 OF 5			




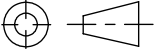
FOR MISSING DIMENSIONS AND FEATURE LOCATIONS REFER TO 3D CAD MODEL

MATERIAL		The information herein is the property of SunBriteTV. No portion of this data shall be released, disclosed, used, or duplicated for any purposes without the written consent of SunBriteTV.		 2630 Townsgate Rd. Suite F. Westlake Village, CA 91361		
FINISH	NOTE 3	FRACTIONS DECIMALS ANGLES ±.030 .X ± .05 ± 1° .XX ± .03 .XXX ± .010		APPROVALS	DATE	TITLE
UNLESS OTHERWISE SPECIFIED DIMENSIONS ARE IN INCHES		THIRD ANGLE PROJECTION		DESIGN CM	9/15/2021	SB 65V3 Top Assembly Ortho
		DRAWN CM	CHECKED	SIZE B	SCALE 1:10	PART # 20031307
				SHEET 2 OF 5		REV 1.4

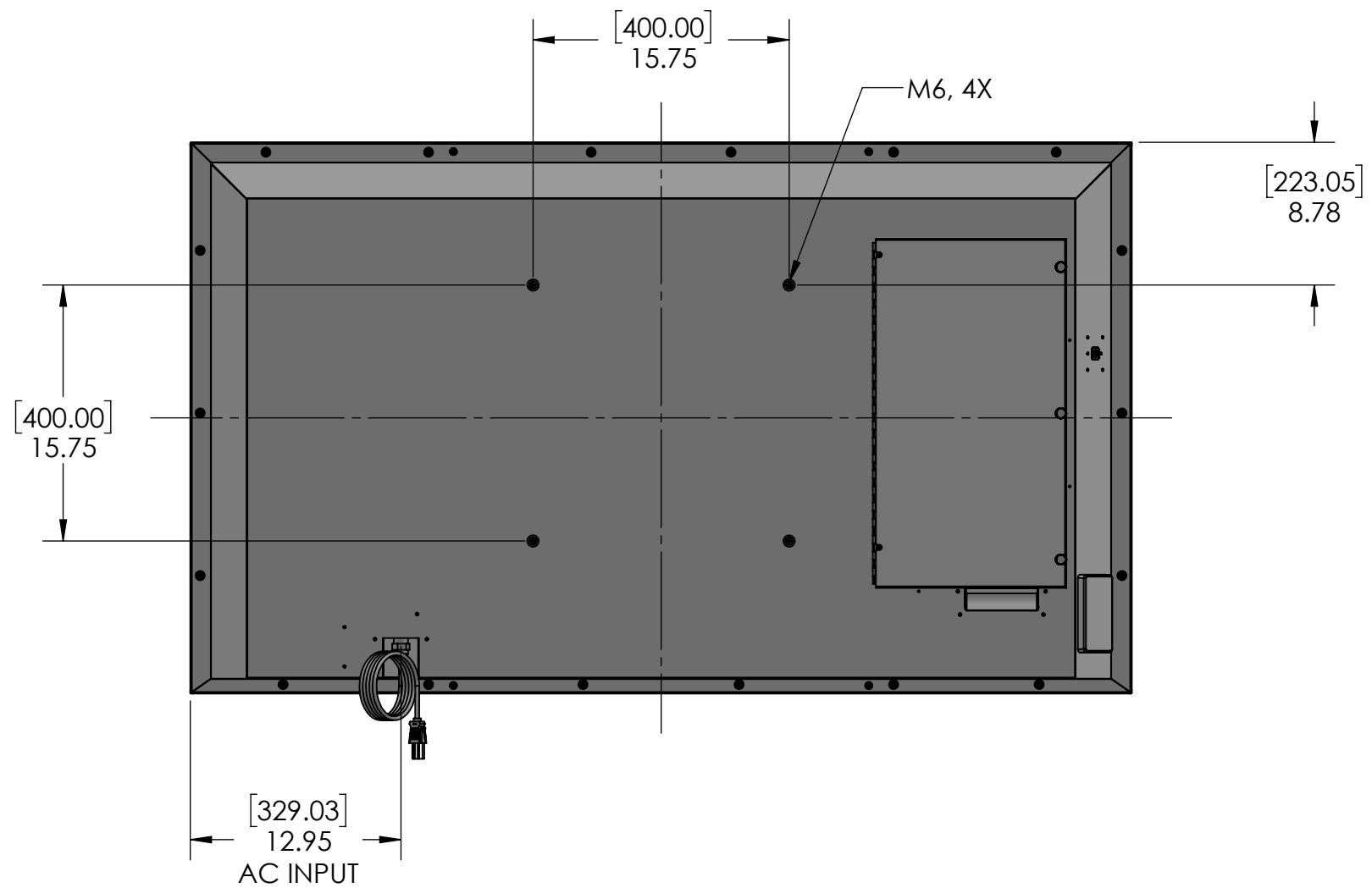
NOTE: UNLESS OTHERWISE SPECIFIED




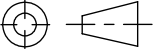
FOR MISSING DIMENSIONS AND FEATURE LOCATIONS REFER TO 3D CAD MODEL

MATERIAL		The information herein is the property of SunBriteTV. No portion of this data shall be released, disclosed, used, or duplicated for any purposes without the written consent of SunBriteTV.		 2630 Townsgate Rd. Suite F. Westlake Village, CA 91361	
FINISH	NOTE 3	APPROVALS		DATE	
FRACTIONS ±.030	DECIMALS .X ± .05 .XX ± .03 .XXX ± .010	DESIGN CM		9/15/2021	
UNLESS OTHERWISE SPECIFIED DIMENSIONS ARE IN INCHES		DRAWN CM		TITLE	
THIRD ANGLE PROJECTION		CHECKED		SB 65V3 Top Assembly Ortho	
				SIZE B	SCALE 1:10
				PART #	REV
				20031307	1.4
				SHEET 3 OF 5	

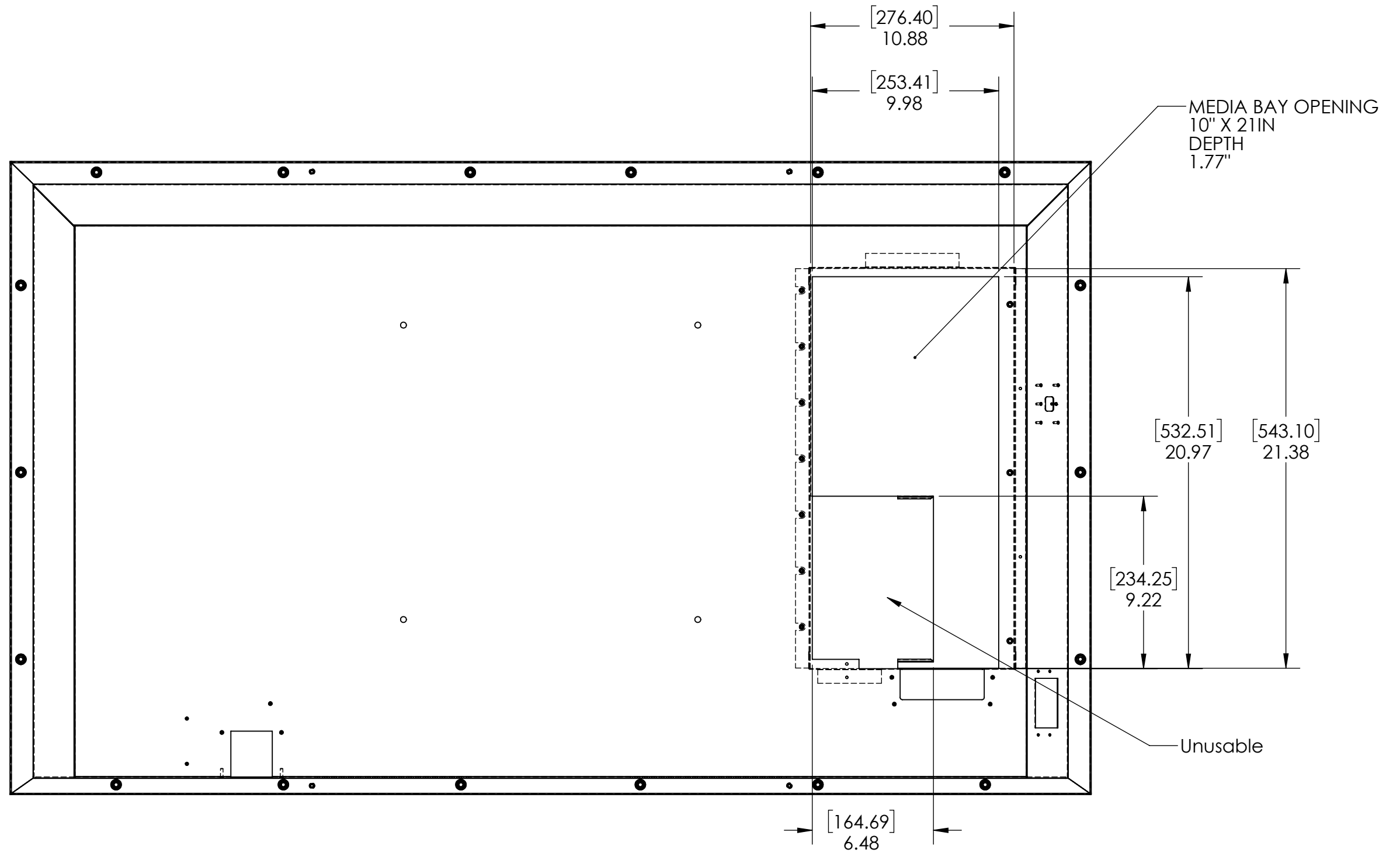
NOTE: UNLESS OTHERWISE SPECIFIED




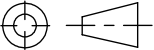
FOR MISSING DIMENSIONS AND FEATURE LOCATIONS REFER TO 3D CAD MODEL

MATERIAL		The information herein is the property of SunBriteTV. No portion of this data shall be released, disclosed, used, or duplicated for any purposes without the written consent of SunBriteTV.		 2630 Townsgate Rd. Suite F. Westlake Village, CA 91361	
FINISH	NOTE 3	APPROVALS	DATE	TITLE	
FRACTIONS ±.030	DECIMALS .X ± .05 .XX ± .03 .XXX ± .010	DESIGN CM	9/15/2021	SB 65V3 Top Assembly Ortho	
UNLESS OTHERWISE SPECIFIED DIMENSIONS ARE IN INCHES		DRAWN CM		SIZE B	SCALE 1:10
THIRD ANGLE PROJECTION		CHECKED		PART #	REV
				20031307	1.4
				SHEET 4 OF 5	

NOTE: UNLESS OTHERWISE SPECIFIED



FOR MISSING DIMENSIONS AND FEATURE LOCATIONS REFER TO 3D CAD MODEL

MATERIAL		The information herein is the property of SunBriteTV. No portion of this data shall be released, disclosed, used, or duplicated for any purposes without the written consent of SunBriteTV.		 2630 Townsgate Rd. Suite F. Westlake Village, CA 91361	
FINISH	NOTE 3				
FRACTIONS	DECIMALS	ANGLES	APPROVALS	DATE	TITLE
±.030	.X ± .05 .XX ± .03 .XXX ± .010	± 1°	DESIGN CM	9/15/2021	SB 65V3 Top Assembly Ortho
UNLESS OTHERWISE SPECIFIED DIMENSIONS ARE IN INCHES			DRAWN CM		SIZE B
THIRD ANGLE PROJECTION			CHECKED		SCALE 1:10
					PART # 20031307
			SHEET 5 OF 5		REV 1.4

NOTE: UNLESS OTHERWISE SPECIFIED