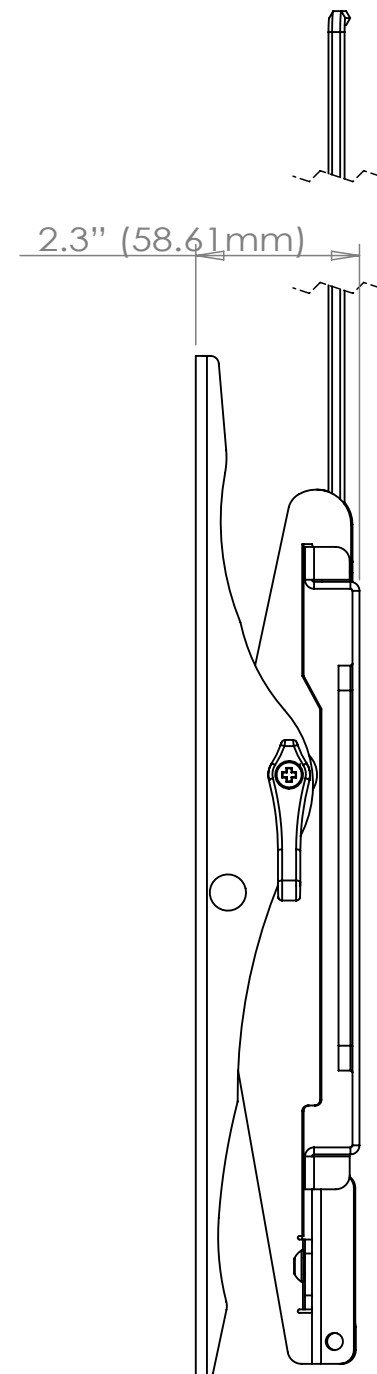
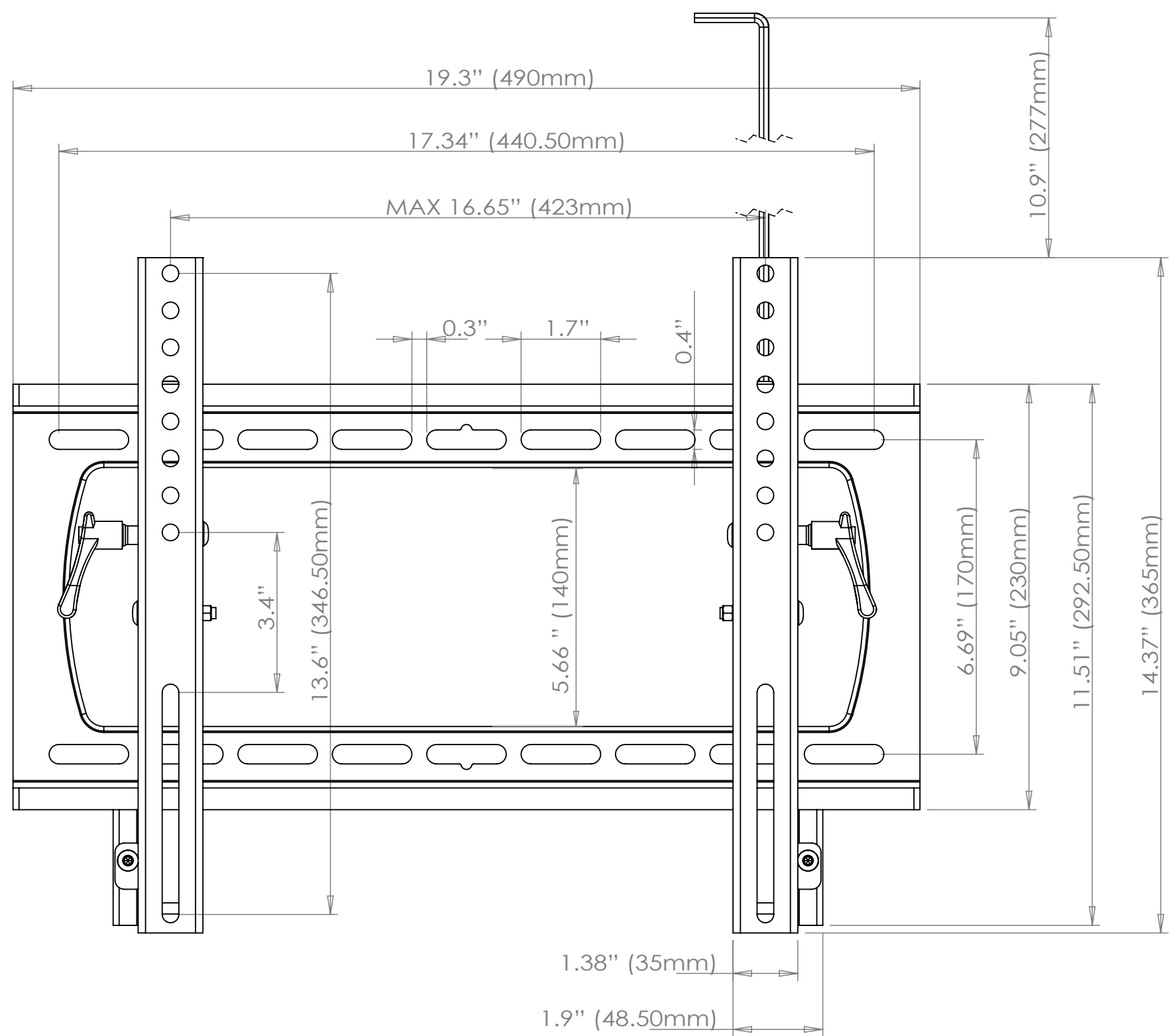


8 7 6 5 4 3 2 1

D
C
B
A



D
C
B
A

TITLE: CUSTOMER PRINT



SIZE B	DWG. NO. SB-WM-T-M	REV A
------------------	-----------------------	-----------------

PROPRIETARY AND CONFIDENTIAL

THE INFORMATION CONTAINED IN THIS DRAWING IS THE SOLE PROPERTY OF STRONG MOUNTS AND LIFTS. ANY REPRODUCTION IN PART OR AS A WHOLE WITHOUT THE WRITTEN PERMISSION OF SNAP AV IS PROHIBITED

NOT TO SCALE SHEET 1 OF 1

8 7 6 5 4 3 2 1