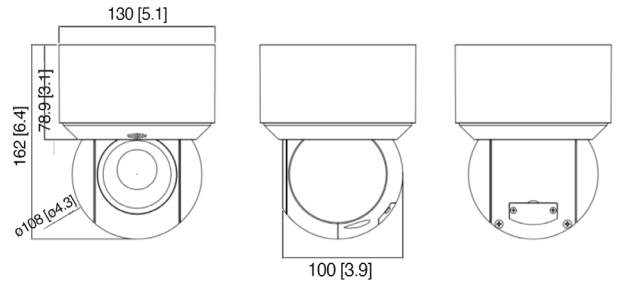


## 420 SERIES



## Dimensions Unit: mm



## Summary

This Luma X20 camera is an excellent addition for residential and commercial projects. It's capable of motorized pan, tilt, and rotation when using the Luma View app and Luma View VMS. Additionally, it features Active Deterrence capabilities, including flashing alert LED lights that activate when subjects of interest are detected. The camera also supports audio presets that can alert subjects to stay off the grass, issue trespassing notices, and even play custom-recorded audio. With AI Smart Tracking, the camera can focus and follow subjects of interest throughout the scene with 4X optical zoom. This feature is further enhanced with AI support for human and vehicle detection and tracking.

## Mounting Accessories

Optional. Available in white and black.



## Specifications

Product	LUM-420-IP-PTZ-4(W/B)
PTZ Pan	Range: 355° Speed: Configurable, from 0.1° - 80°/s, Preset speed: 80°/s
PTZ Tilt	Range: -5° to 90° Speed: Configurable, from 0.1° - 60°/s, Preset speed: 60°/s
PTZ Zoom	4X Optical Zoom
Shutter Speed	50Hz: 1/25s - 1/25,000s 60Hz: 1/30s - 1/30,000s
Image Sensor	4MP (2560 x 1440 Resolution)
Frame Rate	Max 30FPS
IR	Range: Starlight IR, 50m (164ft) Smart IR: Yes
Lens	2.8 - 12mm (4X Optical Zoom)
Aperture	F1.6 - F2.7
Min. Illumination	Color: 0.01 lux, F1.6, AGC ON; 0 lux with IR B/W: 0.002 lux, F1.6, AGC ON; 0 lux with IR

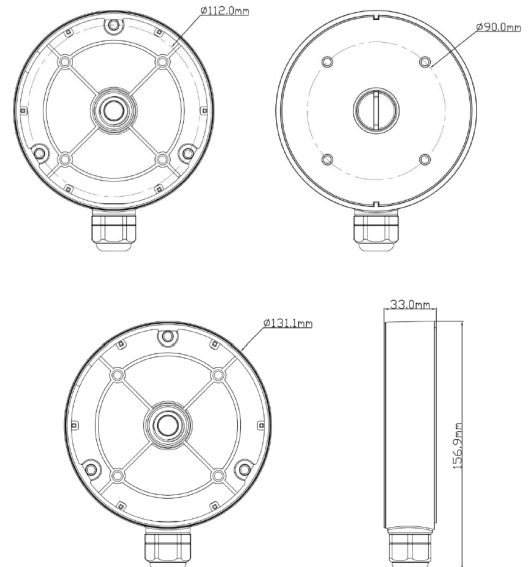
Product	LUM-420-IP-PTZ-4(W/B)
Field of View	Horizontal: 97° - 31°, ±5% Vertical: 51° - 18°, ±5% Diagonal: 115° - 36°, ±5%
White LED Range	30m (98ft) (Flash only)
Streams	Main Stream: Up to 4MP (2560 x 1440) H.265+ 2nd Stream: 704 x 480 H.264 3rd Stream: 704 x 480 H.264 4th Stream: 1920 x 1080 H.265, H.264, MJPEG
Audio & Alarm	Audio: 1ch line input, 1ch line output Alarm: 1ch alarm input, 1ch alarm output
Reset Button	Yes
AI Event	Human, Vehicle & Non-motor Vehicle Detection, Motion Detection
Recording Trigger	Motion, Line Crossing, Intrusion, Target Counting
Outdoor Rating	IP66
Power Consumption	DC12V/PoE+/3000mA Average: 4.5Watt Day: Max 16.2Watt Night: Max 20.2Watt (LED on, Speaker on + PT Rotation)
Operating Temperature & Humidity	-40°F - 158°F (-40°C - 70°C) IR Off -40°F - 140°F (-40°C - 60°C) IR On Less than 95% non-condensing
Dimensions & Weight	Φ 5.1" x 6.4" (Φ 130mm x 162mm) 2.64 lbs (1.2 Kg)
Certifications	ETL Listed, ROHS, CE, FCC, NDAA Compliant, ONVIF Conformance
Microphone	Built-in Microphone, sound recording up to 7m (22ft)
Speaker	Built-in Speaker, audible up to 30m (98ft)
SD Card Support	Yes, MicroSD Card up to 256GB
Network/Ethernet Desc.	PoE+, IEEE802.3at, 10M/100M
Backlight/Highlight Compensation	Yes/Yes
WDR	Yes
DNR	Yes
Image Snapshot	Yes
Presets	300
Trace	8 Traces, up to 16 presets for each trace
Patrol	4 Patrols, Max 3 minutes for each patrol
3D Positioning	Web UI, Luma View, Luma View VMS
CVBS Output	No
Browser Support	Chrome, Firefox, Safari, Edge, IE Mode in Edge
Protection Rating	IK10 (Including Glass Window)
Cold Start Temperature	≥ -13°F (-25°C) 1 hour warm up time

420  
SERIES



## Dimensions

Unit: mm



## Summary

This junction box provides plenty of room to conceal connections and wires, ensuring they are protected from outdoor elements. It is compatible with the Luma Mini PTZ Camera (LUM-420-IP-PTZ-4(W/B)).

Luma accessories are color-matched to the cameras, providing a finished family look. Because they're made from cast aluminum instead of plastic, they are superior to generic solutions in durability and tamper resistance.

The junction box is a great addition for any project that requires camera wires and connectors to be protected from outdoor elements. Use it with masonry or attach it to a stucco wall with confidence.

## Compatible with the Luma Mini PTZ Camera

Mini PTZ Sold Separately

## Specifications

Product	LUM-A20-JB-FEMPTZ-(W/B)
Construction	Aluminum Alloy
Color	LUM-A20-JB-FEMPTZ-W: White LUM-A20-JB-FEMPTZ-B: Black
Operating Temperature	-40°F - 140°F (-40°C - 60°C)
Operating Humidity	10%~90%
Sold As	Each
Dimensions (W x H x D)	5.15in x 1.29in (131mm x 33mm)
Weight	0.52lbs (236g)

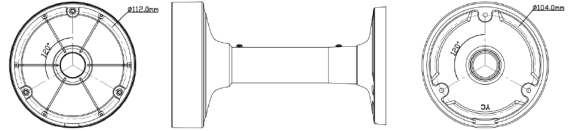


420  
SERIES



## Dimensions

Unit: mm

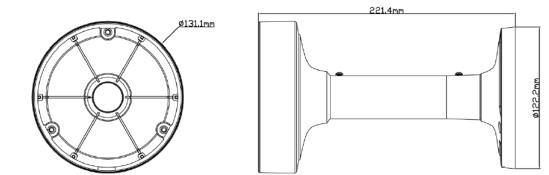


## Summary

Now you can lengthen your Luma camera mounts without having to thread and color-match your own extensions. Built from the same heavy-duty material and color-matched to perfection, you can now customize your install with ease. This ceiling mount is only compatible with the Luma Mini PTZ Camera (LUM-420-IP-PTZ-4 (W/B)).

Luma accessories are color-matched to the cameras, providing a finished family look. Because they're made from cast aluminum instead of plastic, they are superior to generic solutions in durability and tamper resistance.

Provide a clean mounting option for ceiling surfaces using our durable extension box; best suited for ceiling-mount applications.



## Compatible with the Luma Mini PTZ Camera

Mini PTZ Sold Separately

## Specifications

Product	LUM-A20-CM-FEMPTZ-(W/B)
Construction	Aluminum Alloy
Color	LUM-A20-CM-FEMPTZ-W: White LUM-A20-CM-FEMPTZ-B: Black
Operating Temperature	-40°F - 140°F (-40°C - 60°C)
Operating Humidity	10%~90%
Sold As	Each
Dimensions (W x H x D)	8.7in x 5.15in (221mm x 131mm)
Weight	1.21lbs (550g)

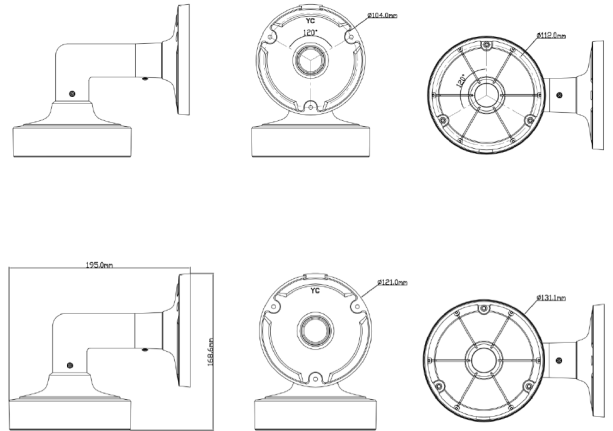


420  
SERIES



## Dimensions

Unit: mm



## Summary

If you're trying to overcome limited off-axis viewing, or simply looking for a convenient way to protect wires from the elements, this versatile wall mount bracket delivers a fast, clean installation for the Luma Mini PTZ Camera (LUM-420-IP-PTZ-4(W/B)).

Luma accessories are color-matched to the cameras, providing a finished family look. Because they're made from cast aluminum instead of plastic, they are superior to generic solutions in durability and tamper resistance.

Provide a clean mounting option for any surface, our durable extension box is best suited for surface-mount applications. Use it with masonry or attach it to a stucco wall with confidence.

## Compatible with the Luma Mini PTZ Camera

Mini PTZ Sold Separately

## Specifications

Product	LUM-A20-WMB-FEMPTZ-(W/B)
Construction	Aluminum Alloy
Color	LUM-A20-WMB-FEMPTZ-W: White LUM-A20-MMB-FEMPTZ-B: Black
Operating Temperature	-40°F - 140°F (-40°C - 60°C)
Operating Humidity	10%~90%
Sold As	Each
Dimensions (W x H x D)	7.68in x 6.64in x 5.16in (1496mm x 168.6mm x 131mm)
Weight	1.25lbs (570g)

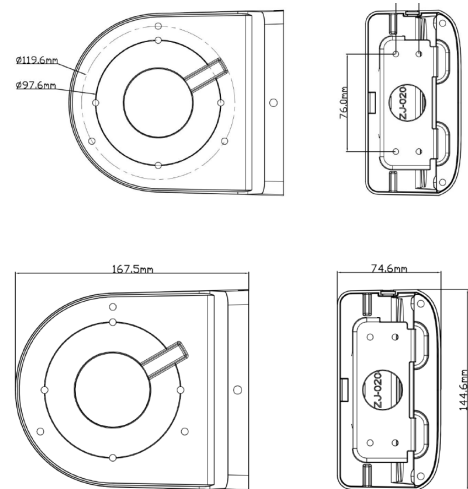


420  
SERIES



## Dimensions

Unit: mm



## Summary

If you're trying to overcome limited off-axis viewing or simply looking for a convenient way to protect wires from the elements, this versatile wall mount bracket delivers a fast, clean installation for the Luma Mini PTZ Camera (LUM-420-IP-PTZ-4(W/B)). It features a low-profile contemporary design that is aesthetically pleasing and can be installed in constricted spaces.

This accessory mount features a low-profile contemporary design that is stylish and aesthetically pleasing for any wall installation.

Luma accessories are color-matched to the cameras, providing a finished family look. Because they're made from cast aluminum instead of plastic, they are superior to generic solutions in durability and tamper resistance.

Provide a clean mounting option for any surface, our durable extension box is best suited for surface-mount applications. Use it with masonry or attach it to a stucco wall with confidence.

## Compatible with the Luma Mini PTZ Camera

Mini PTZ Sold Separately



## Specifications

Product	LUM-A20-WMB-MPTZ-(W/B)
Construction	Aluminum Alloy
Color	LUM-A20-WMB-MPTZ-W: White LUM-A20-MMB-MPTZ-B: Black
Operating Temperature	-40°F - 140°F (-40°C - 60°C)
Operating Humidity	10%~90%
Sold As	Each
Dimensions (W x H x D)	6.59in x 5.69in x 2.94in (167.5mm x 144.6mm x 76.4mm)
Weight	1.32lbs (600g)