



## Built For The Toughest Installs

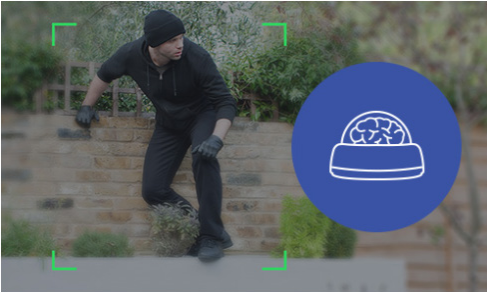
### Visualint™ 2MP IP Auto Tracking PTZ Outdoor Camera with Starlight + Virtual Technician

For locations that need the highest level of surveillance, use our 2MP PTZ. It features 30x optical zoom and is IP66 rated for weatherproof outdoor installations; plus, it can auto-track objects of a certain size through scenes. With smart IR ranging from 180-222m, glass optics and metal housing, Starlight low-light color sensor and more, this camera was designed for the hardest jobs.



VI-M-7150-VT

### Key Features



Embedded Intelligent Analytics



Professional Video Monitoring

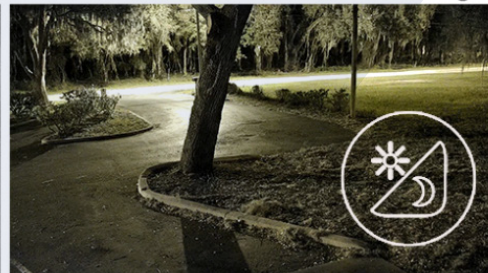


PTZ Auto Tracking

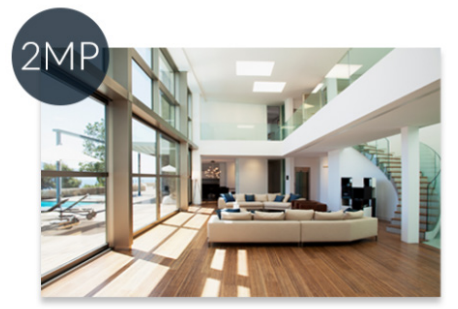
Without Starlight



With Starlight



Starlight Low-Light Color Sensor

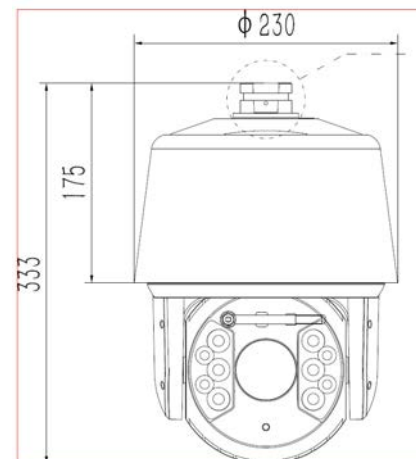


Widescreen & High Definition

## Product Details

Technical Specs & Features	VI-M-7150-VT
Audio Inputs / Outputs	1-ch / 1-ch Impedance: 600Ω
Image Sensor	2MP 1/1.8" Starlight CMOS
Maximum Record Resolution	1920 × 1080
Lens	4.3-129mm (30x Optical Zoom), F1.6-F5.0
Est. Horizontal Viewing Angle	65.1° ~ 2.34°
Minimum Illumination	Color: 0.002Lux (F1.2,AGC ON) Black&White: 0.001Lux (F1.2,AGC ON) 0 Lux with IR
IR Range	656 ft
Remote Monitoring Integration	Immix
Recording Trigger	No
Full Screen Monitoring	Yes
Image Snapshot	Yes
Audio Support	1-ch, G.711A/G.711U/ADPCM/AAC
Triggered Action Desc.	Email, HTTP Notification, FTP
SD Card Support	Micro SD Card Slot, up to 128GB
Network / Ethernet Desc.	10M/100M Ethernet Interface
Supported Network Protocols	TCP, UDP, HTTP, MULTICAST, UPnP, DHCP, PPPoE, DDNS, NFS, FTP, NTP, RTP, RTSP, IPv6, SNMP, SMTP
Power Consumption	AC24 V, 21W (IR OFF) 43W (IR ON)
Color	White
Dimensions (W x H x D)	9.1" x 13" x 9.1"
Weather Rating	IP66
Certifications	CE, FCC
Operating Temperature	-40-158°, 0~95% RHG
Weight	11 lb

### Camera to Camera Communication



Note: Dimensions are measured in mm.