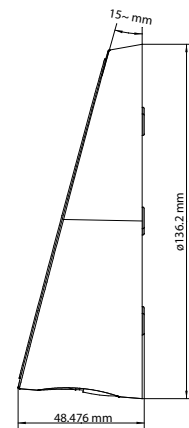
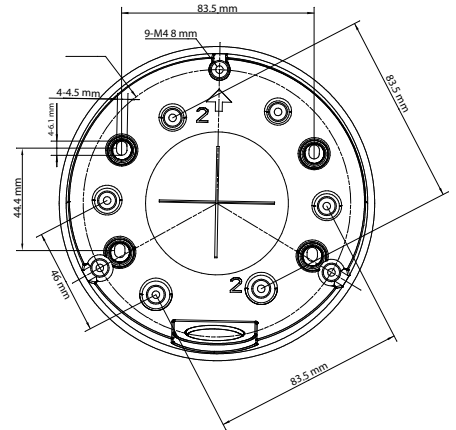




Luma IP Dome Angle Mount

Offset your IP dome camera with our low-profile angle mount to get that perfect 90° view straight down the wall. This angle mount compensates for dome limitations by angling the camera so it can look straight down—without installing an arm or more appliances to the wall. It also allows you to mount a dome under an eave in order to angle it straight out to the horizon. It's the perfect storage space for wire management and camera mount, all in one.



SPECS	LUM-MNT-ANG-IPDOM-WH	LUM-MNT-ANG-IPDOM-BL
Color	White	Black
Depth	Big: 1.88 in Small: 0.59 in	Big: 1.88 in Small: 0.59 in
Diameter	5.37 in	5.37 in
Angle	15°	15°
Construction	Cast Aluminum	Cast Aluminum
Sold As	Each	Each
Weight	0.54 lbs	0.54 lbs