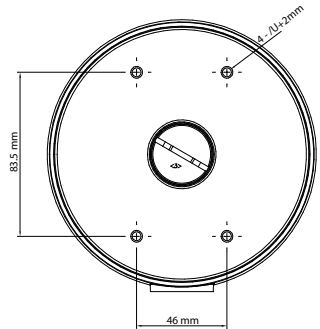
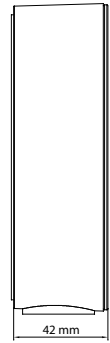
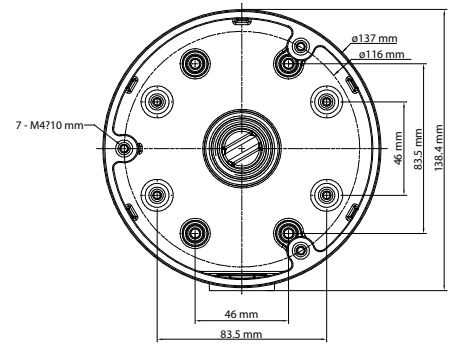




Luma IP Dome Extension Mount

If there's no J-box behind the dome camera, where do you hide the wires? An extension mount provides plenty of room to conceal connections; it's an ideal solution for surface-mount applications like masonry or stucco walls. This mount also includes two openings, so you can wire your camera in from the wall or through a handy side conduit.



SPECS	LUM-MNT-EXT-IPDOM-WH	LUM-MNT-EXT-IPDOM-BL
Color	White	Black
Height	1.65 in	1.65 in
Diameter	5.4 in	5.4 in
Construction	Cast Aluminum	Cast Aluminum
Sold As	Each	Each
Weight	0.62 lbs	0.62 lbs