

Precise Motion Tracking

Luma's 510 Series IP PTZ camera is best suited for outdoor installations. A convenient auto-tracking feature follows large objects through a scene for up to 5 minutes, while its Starlight feature delivers detailed color images at night for superior performance.

All Luma IP cameras detect motion while raising less false alarms, integrate with popular control systems while providing a third video stream, and feature a dedicated, sleek mobile app for iOS® and Android™.



HIGH QUALITY PICTURE

At up to 2MP, our IP PTZ camera delivers clear, vibrant pictures in full 1080p, without image artifacts or other distortion issues.



SMART MOTION TECHNOLOGY

Once a camera detects motion, it can send out custom notifications & alerts. Smart Motion's advanced algorithms cut down on false alarms.



INTUITIVE LUMA APP

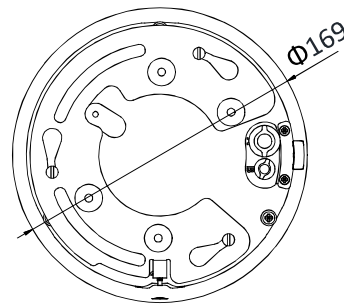
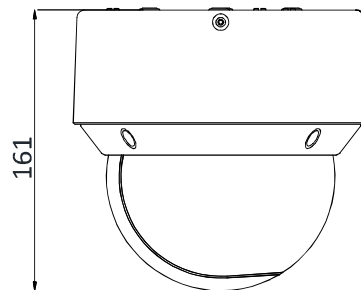
Did you leave the garage door open? Want to check in on the dog? Watch live video or playback the camera stream anytime.

Technical Specs & Features

| FEATURES | LUMA |
|---|--|
| | 510 Series |
| Application | Ideal for outdoor scenes |
| Housing Options | Dome |
| Pixels | 2MP |
| Max. Resolution | 1920 × 1080 |
| Color Options | White |
| Lens | 25x Optical Zoom |
| IR Range | 150m |
| IP66 Outdoor Rating | ● |
| Low Temp Operating Rating | -22 - 149° F |
| Auto-Tracking | ● |
| Minimum Illumination | 0.005Lux 0 Lux with IR on |
| Triple Stream for Control | Yes |
| Video Codecs | H.265, H.264, MJPEG |
| Basic Motion | ● |
| Advanced Motion with Day/Night Settings | ● |
| Smart Motion | ● |
| Smart IR | ● |
| Built-In 2-Way Audio | ● |
| Alarm In/Out | ● |
| Privacy Mask | ● |
| AGC (Automatic Gain Control) | ● |
| 3D DNR (Digital Noise Reduction) | ● |
| Power Consumption | 12V DC PoE (802.3af), 18W (IR light 5W Max) |
| D-WDR Wide Dynamic Range | ● |
| Backlight Compensation | ● |

LUM-510-PTZ-IP-WH TECHNICAL DIMENSIONS

CAMERA DIMENSIONS



EXTENSION MOUNT DIMENSIONS

