



100 Series Mini Turret
Analog Surveillance Camera

A large, light blue graphic of a spiral or swirl, starting from the center and expanding outwards, occupies the lower half of the page. It is positioned behind the main title text.

**Installation &
Operation
Manual**

Installation

Before you start, ensure that the device is in good condition and all the assembly parts are included.

- Make sure that all equipment is powered off during installation.
- Ensure the wall is strong enough to hold three times the weight of the camera and the mount.
- If the mounting surface is cement, use the included expansion screws to install the camera. If mounting to a wood surface, use self-tapping wood screws (not included) to secure the camera.
- If the product does not function properly, please contact technical support. Do not disassemble the camera for repair or maintenance.

Box Contents

- Camera
- Mounting bracket
- Self-adhesive mounting template
- 3 x wall anchors with screws
- 3mm hex wrench

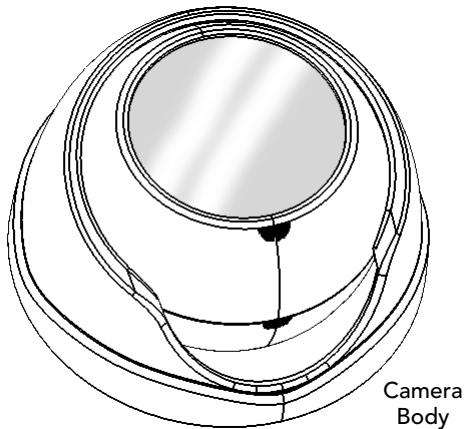
Other Required Equipment

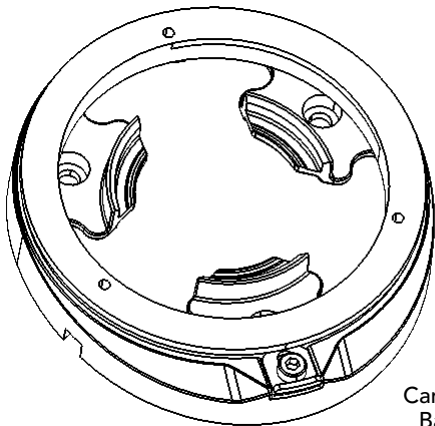
Aside from the contents of this box, you will need

- Phillips screwdriver
- Power source: 12V DC

Overview

Before installing, familiarize yourself with the parts of your camera.





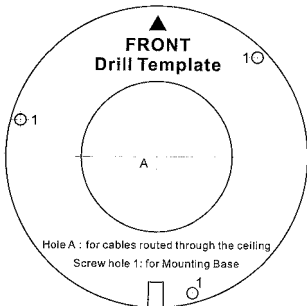
Camera
Base

Cables

The camera comes with two cables: the black BNC cord is the video cable, and the red-capped cord is the power cable.

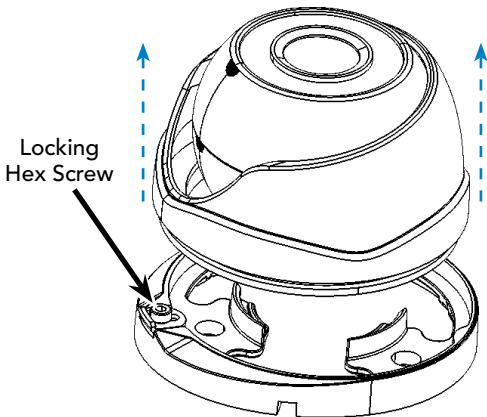
Prepare for Installation

1. Drill a cable hole and pilot holes for your screws in the ceiling, using the supplied template shown.



Code:102004383

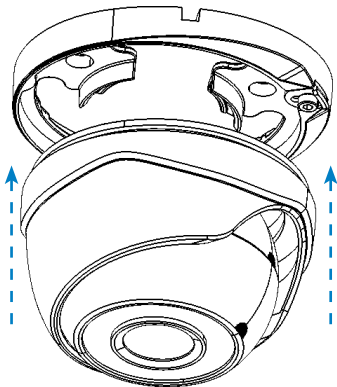
2. Loosen the locking hex screw on the base and remove it from the camera housing.



Install the Camera

3. Attach the base of the camera to the ceiling and secure it with screws.
4. Route the cables through the cable hole. Note that the base provides extra space between the camera and the ceiling for wire management.

5. Insert the camera into the base. Ensure the open area of the housing is pointed in the direction you want the camera to aim. Tighten the locking hex screw to secure the camera in place.



6. Connect the power and video cables and power up the camera.

Adjust the Camera

1. Manually adjust the camera to get an optimum angle, being careful not to touch the lens. The camera is free-floating for perfect pan and tilt control.

Support

If you need help, email support@SnapAV.com. For information, instructional videos, support documentation, or ideas, visit our website.

5-Year Limited Warranty

This Luma Surveillance™ product has a 5-Year Limited Warranty. This warranty includes parts and labor repairs on all components found to be defective in material or workmanship under normal conditions of use. This warranty shall not apply to products that have been abused, modified or disassembled. Products to be repaired under this warranty must be returned to a designated service center with an assigned return authorization (RA) number. Contact technical support for an RA number.

Copyright ©2015 by SnapAV. All rights reserved. SnapAV, Luma Surveillance, and all related marks and images are trademarks or registered trademarks of SnapAV.

Version 150902-1151