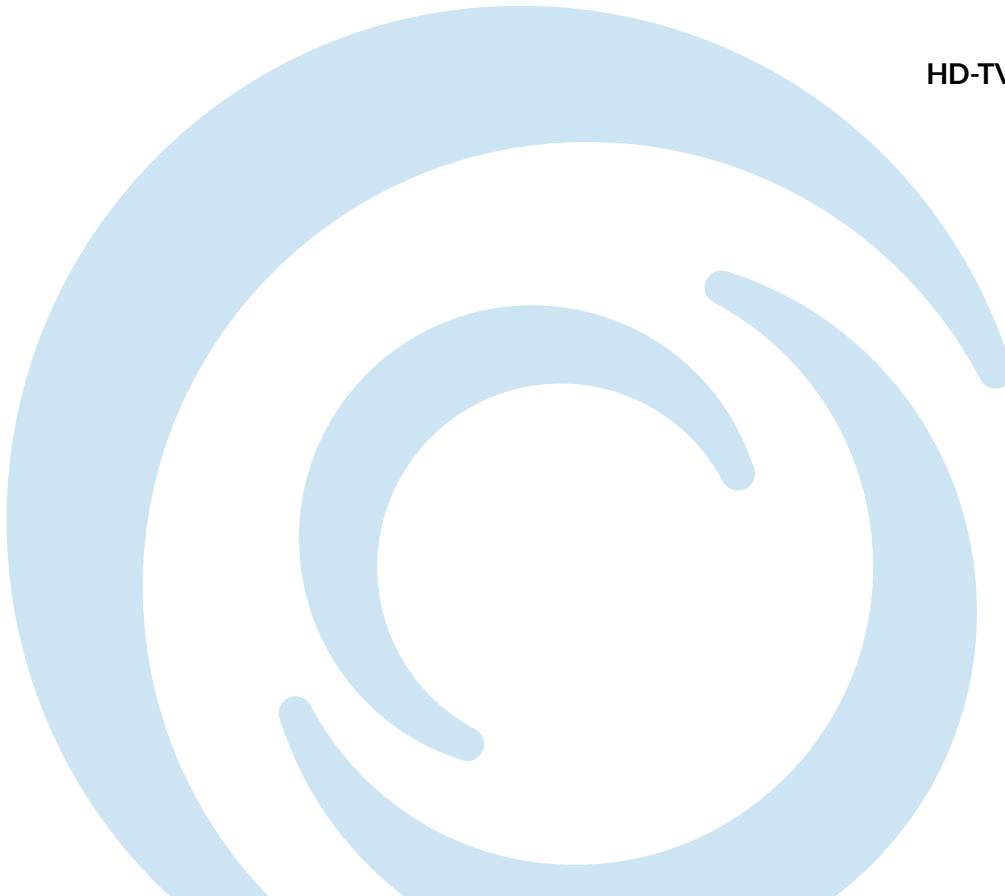




LUM-600-DOM-A Series
HD-TVI Analog Surveillance Camera

Installation & Operation Manual



Installation

Before you start, ensure that the device is in good condition and all the assembly parts are included.

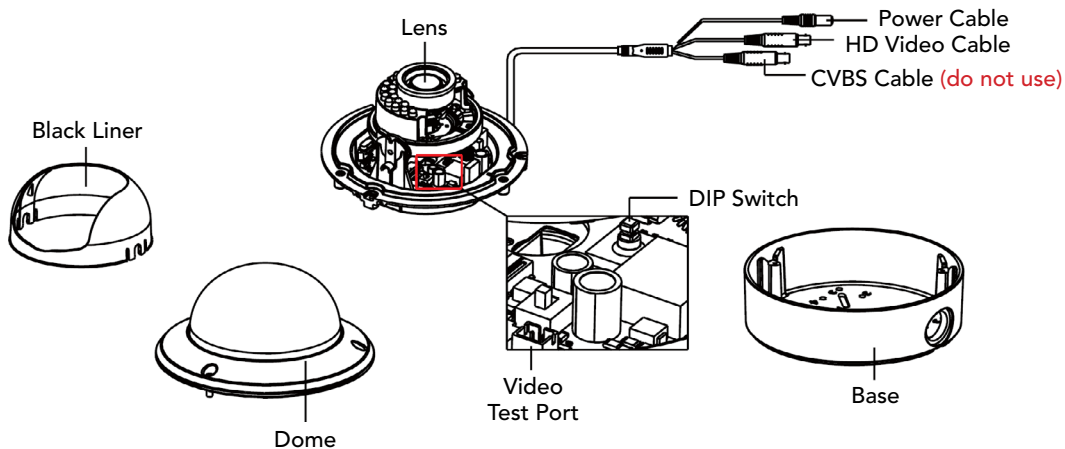
- Make sure that all equipment is powered off during installation.
- Ensure the wall is strong enough to withstand three times the weight of the camera and the mount.
- If the mounting surface is cement, use the included expansion screws to install the camera. If mounting to a wood surface, use self-tapping wood screws (not included) to secure the camera.
- If the product does not function properly, please contact your dealer or the nearest service center. Do not disassemble the camera for repair or maintenance.

Box Contents

- Camera
- Mounting bracket
- 3 x mounting bracket screws
- 4 x wall anchors with screws
- Star security wrench
- CC tester cable

Overview

Before installing, familiarize yourself with the parts of your camera.



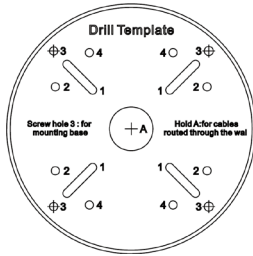
Required Equipment

Aside from the contents of this box, you will need to provide

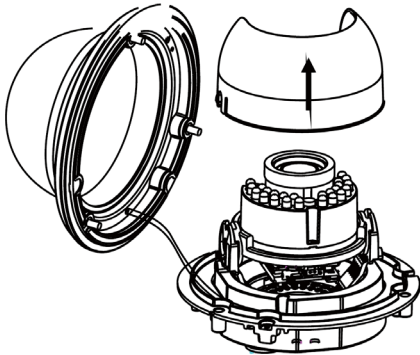
- Phillips screwdriver
- Power source: either 12V DC or 24V AC
- CC-TV tester (recommended)

Prepare for Installation

1. Drill a cable hole and pilot holes for your screws in the ceiling, using the supplied template shown.

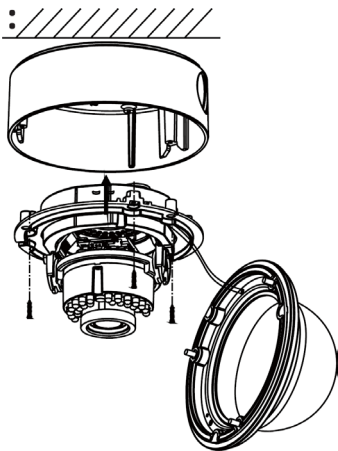


2. Loosen the hex screws on the dome to remove the dome and the black liner. Locate the CVBS cable and wrap it with electrical tape to avoid accidental cross-connection.



Install the Camera

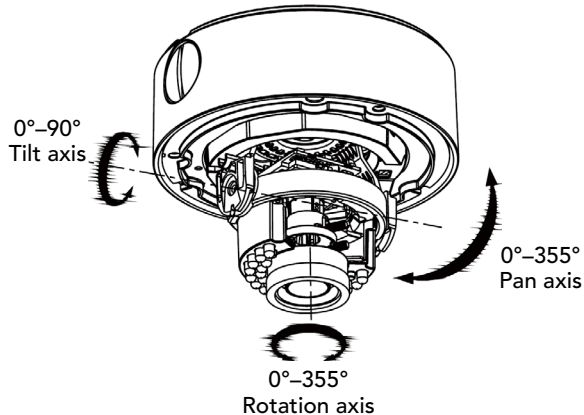
3. Attach the base of the camera to the ceiling and secure it with screws.
4. Route the cables through the cable hole. Note that the base provides extra space between the camera and the ceiling for wire management.
5. Align the camera body with the base, and tighten the set screws to secure the camera.



6. Connect the power and HD video cables. (Do **not** connect the CVBS cable.)

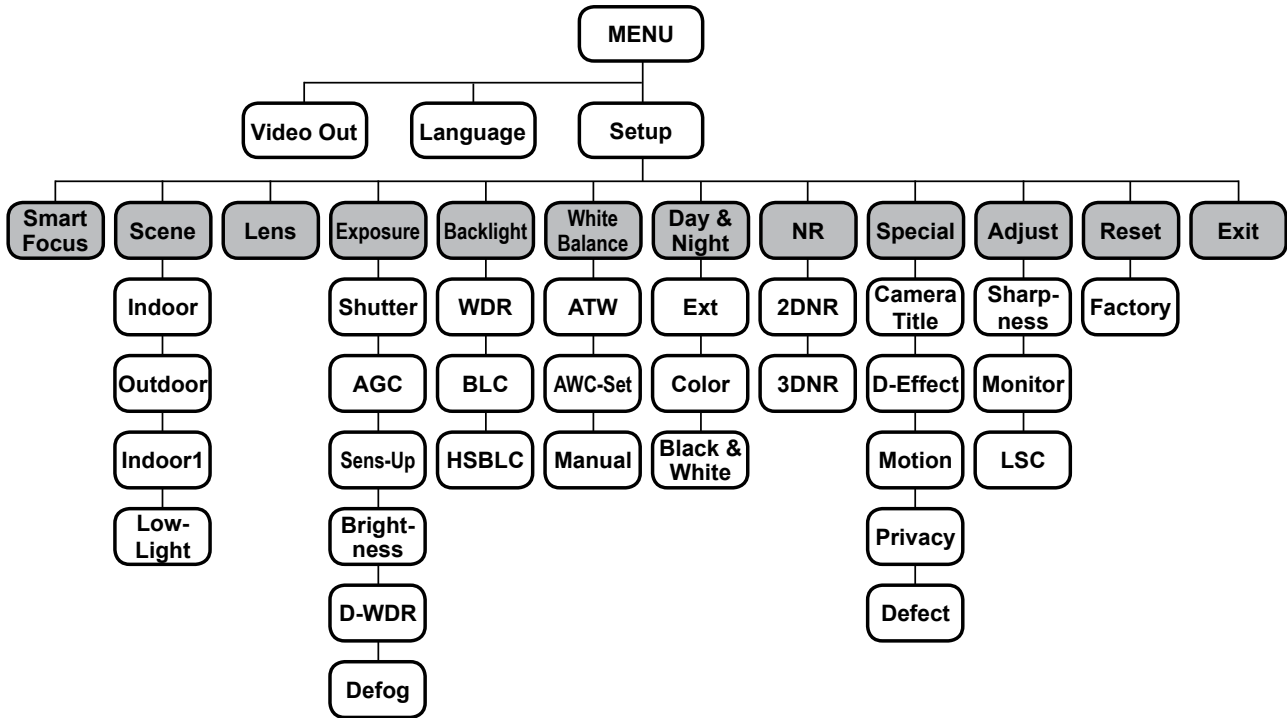
Adjust the Camera

1. Adjust the camera according to the figure below to get an optimum angle. This camera has a 3-axis gimbal for perfect pan and tilt control.
2. Adjust the camera's zoom and focus.
3. If you are going to adjust the camera settings using a CC tester, do that now (see page 9). If you are going to use a TVI-capable DVR to adjust the camera settings, continue with the next step.
4. Replace the black liner (optional) on the camera. Replace the dome and tighten the screws to secure it in place.





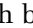
Menu Operation

The in-camera menu is structured as follows:



Main Menu Items

Most camera functions can be handled through the DVR's control interface, however, you can access the camera's internal menu directly for specific functions. To access this menu, first set the camera to the *HIK-C (Coaxitron)* protocol. To do so from the DVR's local interface, go to **Settings > Camera > PTZ**, then click the **PTZ Settings** button. From the web interface, go to **Configure the Recorder > Camera Settings > PTZ Settings**.

Once the protocol has been set, you can access the camera menu from the live page. Click the PTZ () icon, then click the menu () button in the configuration bar of the PTZ control panel. The camera's internal menu shows up on screen. Throughout the menus, the up and down arrows move among the menu choices, and the left and right arrows switch between options for that choice. The  symbol indicates that pressing **Iris+** opens a submenu in which you can set parameters for that menu item.

To exit the menu system, go to **Setup > Exit**. From deep within the menu, you can click the right arrow while Return is selected; then, when you press **Iris+**, the menu closes instead of sending you back one level. The menu also closes after a few minutes of inactivity.

Video Out

Use the arrows to send the video signal in PAL or NTSC format.

Language

Use the arrows to select from English, French, Spanish, and many other languages. Click **Iris+** to switch all menu items to that language immediately.

Setup

Press **Iris+** to open the submenu that controls the camera's operations.

Setup Menu Items

Smart Focus

Press **Iris+** to have the camera test the view and make a recommended focus setting for varifocal lenses. It does not adjust the camera's focus to that number; you must do it manually. **Note:** This camera has a fixed lens; its focus cannot be adjusted. Press **Iris+** again to return to the menu.

Scene

Use the arrow buttons to set the camera's working environment to indoor, outdoor, indoor 1 (which includes backlight compensation), or low-light. Test the various options to find which works best for your needs.

Lens

The camera is equipped with a fixed-length lens, so this menu option cannot be changed.

Exposure

Press **Iris+** to adjust the parameters below.

Shutter

This adjusts the shutter speed for the camera. Most shutter speeds are given in a fraction of a second. Slower shutter speeds (e.g., 1/25) increase the amount of light to the image sensor but also increase movement blur; higher values decrease the amount of light to the image sensor but provide sharper captures of moving objects. You can also select auto (the camera determines the best speed), or FLK (the shutter changes between 50Hz and 60Hz to reduce flickering).

AGC

Use the arrows to set the automatic gain control value from 0 (making the image darker in bright areas) to 15 (making the image brighter in dim areas).

Sens-Up

This grants your camera the ability to generate a color image at night by using ambient light. If the shutter is set to auto or 1/25, you can enable sens-up. When sens-up is enabled, the camera slows shutter time in low-light areas, allowing more light into the lens. This provides color data, but may result in blurry images of moving objects. If enabled, you can press **Iris+** to specify sens-up settings.

Sens-Up: Set the sens-up ratio anywhere from x2 to x30.

Return: Press **Iris+** to go back to the previous menu.

Brightness

Use the arrows to control the overall brightness of the image. Low values result in a darker image; high values give a brighter image. Extreme values can result in loss of detail in dark or brightly lit areas.

D-WDR

Use the arrows to enable or disable digital wide dynamic range. This sets the difference between dark and light areas to maintain a higher quality image across all lighting conditions. We recommend you keep this off unless the camera is viewing an area that contains both very bright and dark areas (such as backlit windows).

Defog

Enable the defog function if desired. This grants the camera better visibility in foggy ambient conditions. It does not affect condensation on the interior or exterior of the camera. Press **Iris+** to set the parameters below.

Position/Size: This option lets you use the defog effect on only a portion of the camera's view. You first set the location of the upper left-hand corner of the area (defog defaults to full screen, so the first time you use this, you will not be able to move the area). Once it is positioned correctly, confirm your choice with **Iris+**. Next adjust the size of the area by moving the lower right-hand corner. Confirm your choice when done. Finally, **Again** lets you redefine the area, and **Ret** sends you back to the previous menu. Confirm with **Iris+**.

Gradation: When active, this determines how much fog you want to be visible. Lower values result in a stronger defog effect; higher values are more true to the visibility.

Default: Press **Iris+** to restore the default defog settings.

Return: Press **Iris+** to go back to the previous menu.

Return

Press **Iris+** to go back to the previous menu.

Backlight

Use the arrows to have your camera employ WDR, BLC, HSBL, or none of the above (off). Press **Iris+** to configure that setting's parameters, below.

WDR (Wide Dynamic Range)

This brings down bright areas and enhances dark areas. The more uniform lighting gives the best overall effect.

Gain: Select low, middle, or high. Higher gain values result in more lightening of dark areas.

WDR Bright: Set the brightness of the processed image as a whole.

WDR Offset: Use the arrows to adjust this. Higher numbers results in a brighter image overall.

Return: Press **Iris+** to go back to the previous menu.

BLC (Backlight Compensation)

This setting adjusts for areas where the backlight is strong. Its chief advantage is that you can apply it primarily to a select portion of the camera's view (although, to preserve a natural look, it influences the appearance of the whole screen).

Gain: Set the gain to low (for areas with minimal backlight), middle, or high (for areas with lots of backlight).

Area: Press **Iris+** to determine the area to which BLC is applied. You first set the location of the upper left-hand corner of the area. Once it is positioned correctly, confirm your choice with **Iris+**. Next adjust the size of the area by moving the lower right-hand corner. Confirm your choice when done. Finally, **Again** lets you redefine the area, and **Ret** sends you back to the previous menu. Confirm with **Iris+**.

Default: Press **Iris+** to restore the camera's default BLC settings.

Return: Press **Iris+** to go back to the previous menu.

HSBLC (High-Suppression Backlight Compensation)

This setting adjusts for areas where the backlight is overpowering. This option acts like BLC for the selected area(s) only, but with the advantage of masking out over-bright areas.

The camera has four areas for HSBLC. You can arrange these as you like either to mask out several lights, or to create a custom shape for HSBLC processing.

Select: Press **Iris+** to chose an area to edit. The selected area flashes on the screen.

Display: Choose whether or not to use that area. If the area is set to on, press **Iris+** to edit the size and location of that area. You first set the location of the upper left-hand corner of the area. Once it is positioned correctly, confirm your choice with **Iris+**. Next adjust the size of the area by moving the lower right-hand corner. Confirm your choice when done. Finally, **Again** lets you redefine the area, and **Ret** sends you back to the previous menu. Confirm with **Iris+**.

Level: Set the HSBLC level from 0 to 100; this determines how bright something must be for the camera to apply HSBLC to it. Lower levels mean more of the camera screen is affected; higher levels mean that only the brightest areas are affected. This setting applies to all HSBLC areas.

Mode: Select whether you want HSBLC active all day long, or only at night (as decided by the camera's sensor).

Black Mask: When this is on, the camera covers the brightest areas with a black mask. This setting applies to all HSBLC areas.

Default: Select this with the **Iris+** button to restore the camera's default HSBLC settings.

Return: Press **Iris+** to go back to the previous menu.

White Balance

White balance corrects the colors of the image so that white actually appears white.

Use the arrows to select ATW, AWC→Set, or manual. ATW (auto-tracking white balance) has the camera handle apply white balance constantly, changing the amount based on conditions. AWC→Set has the camera adjust the white balance once, and then use that setting without further change.

If manual is selected, press **Iris+** and use the arrows to adjust the blue and red levels (adjusting these determines the green level). Select Return with **Iris+** to go to the previous menu.

Day & Night

Use the arrows keys to select whether you want the camera to record in color, black and white, or use an external sensor (Ext) to decide which mode to use.

If you have chosen to use the exterior sensor, press **Iris+** to set the infrared LED on or off with the arrow buttons. Turning it on gives greater image lighting; turning it off reduces reflective glare. Select Return with **Iris+** to go back to the previous menu.

NR

To edit noise reduction settings, press **Iris+**.

2DNR

This uses image data alone to reduce noise. Use the arrow keys to turn this on or off.

3DNR

This uses image data as evaluated over time to reduce noise. Use the arrow keys to turn this on or off. If this is on, press **Iris+** to customize its settings.

Smart NR: This option applies noise reduction, but also allows you to press **Iris+** to set sensitivity.

Level: Ranges from 0 to 100; the higher the level, the stronger the noise reduction.

Start AGC: The level at which the camera starts using automatic gain control.

End AGC: The level at which the camera ceases applying automatic gain control.

Return: Press **Iris+** to go back to the previous menu.

Special

Press **Iris+** to specify a number of assorted functions.

Camera Title

Use the arrow keys to decide whether you want custom text to appear on the channel screen. If so, click **Iris+** to create or edit the text that you want to appear.

Within the virtual keyboard, arrows move the cursor about, and **Iris+** selects that letter or command. The camera

legend is displayed at the bottom of the keyboard; the flashing underscore shows where the next letter will go (overwriting any letter currently there).

The arrow icons shift the flashing underscore left and right. CLR erases all text. POS lets you position the text on the screen using the arrow keys. END finishes your edits.

D-Effect

These digital effects enhance the operation of your camera. Press **Iris+** to edit the choices below.

Freeze: Use the arrow keys to freeze the image on the camera. It remains frozen until you deselect this. Note that the camera does *not* record while it is in freeze mode.

Mirror: If the image is not frozen, you can adjust how the image appears on the channel. Mirror reverses the image right-to-left, V-flip reverses the image top-to-bottom, and Rotate spins the image 180° (and is thus suited for cameras installed on top of a surface).

D-Zoom: This option let you zoom to an area of your choice. It is disabled if Smart D-Zoom is on. When this is on, press **Iris+** to adjust its settings.

D-Zoom: Use the arrow keys to set the zoom anywhere from x2 to x62.

Pan & Tilt: Press **Iris+** to adjust the pan and tilt of a PTZ camera using the arrow keys. Press **Iris+** to exit.

Default: Press **Iris+** to restore the default D-zoom settings.

Return: Press **Iris+** to go back to the previous menu.

Smart D-Zoom: This option has the camera zoom in on an area when it detects motion in that area. It is disabled if D-Zoom is on. When this is enabled, press **Iris+** to adjust its settings. Smart digital zoom has two areas that you can manage.

Select: This chooses which area you wish to edit.

Display: This item turns the selected area on or off. If the area is on, you can press **Iris+** to adjust the location of the camera using the arrow keys (the area's size is defined by its zoom). Press **Iris+** to exit.

Sensitivity: Set this from 0–60 for the selected camera. Higher numbers require smaller motions to activate the zoom.

D-Zoom: Use the arrows to set the zoom anywhere from x2 to x62. Note that this affects the size of the area.

Time: After the movement has stopped, this is the duration in seconds that the camera holds its zoom on the area. Set this from 0–15 for the camera.

Default: Press **Iris+** to restore both areas to their default settings (except for the sensitivity).

Return: Press **Iris+** to go back to the previous menu.

Neg.Image: Use the arrows to select this, When active, it reverses the colors of your image.

Return: Press **Iris+** to go back to the previous menu.

Motion

This sets a composite area to use for motion detection. This composite area is made up of four customizable boxes. Press **Iris+** to adjust its settings.

Select: This chooses which area you wish to edit.

Display: This item turns the selected area on or off. If the area is on, you can press **Iris+** to adjust the location and size of the selected area. You first set the location of the upper left-hand corner of the area using the arrow keys. Once you have it positioned correctly, confirm your choice with **Iris+**. Next use the arrows to adjust the size of the area by moving the lower right-hand corner. Confirm your arrangement when done. Finally, use the arrows either to select **Again** to redefine the area, or **Ret** to go back to the previous menu. Confirm with **Iris+**.

Sensitivity: Set this from 0–60. Areas 1 and 2 share a sensitivity setting, as do areas 3 and 4. Higher numbers activate from smaller movements.

Motion View: When this setting is on, the camera view uses translucent red boxes to highlight areas where it detects motion.

Default: Press **Iris+** to restore the default settings for the size and location of the motion detection areas. This does not reset the sensitivity settings.

Return: Press **Iris+** to go back to the previous menu.

Privacy

When you turn this on, you can define up to eight areas for privacy masking. Press **Iris+** to adjust the settings.

Select: This determines which area you are editing settings for.

Display: Choose from the following settings:

Inverse: This reverses the color palette for the area.

Mosaic: This blurs the area by heavily pixelating the data.

Color: This overlays the area with a color fill.

Off: This area is not used for the privacy screen.

With any of these options (except off), you can press **Iris+** to set the location, size, and shape of the area. You first set the general location of the area using the arrow keys. Once you have it positioned, confirm your choice with **Iris+**. Next you use the arrows to move each corner of the shape into position. Confirm your arrangement when done. Finally, use the arrows either to select **Again** to redefine the area, or **Ret** to go back to the previous menu. Confirm with **Iris+**.

Color: If you chose to fill the area with color (above), this lets you choose the color to use for that area.

Transparency: This sets how translucent the fill color is. It ranges from 0 (perfectly translucent) to 3 (completely opaque). Again, it only affects the area when filled by a color.

Default: Press **Iris+** to restore the default settings for all areas.

Return: Press **Iris+** to go back to the previous menu.

Defect

This menu option corrects for digital defects (hot or stuck photosites, hotspots, amp noise, etc.).

Live DPC: This applies continuous dynamic defect point repair. If this is on, press **Iris+** to set the level from 0–100. Low numbers apply little correction, high numbers apply a lot.

Static DPC: This performs a one-time test to apply defect point repair; the resulting correction is less adaptable, but requires less processing.

Start: When you press this, the camera prepares to start the test. Cover the camera completely with a dark cloth (or something similar) to block the camera's lens, then press **Iris+** to start the test.

Level: Set this from 0–60. The lower the value, the more defects will be digitally corrected. We suggest that you stick to the factory default setting of 18.

Sens-Up: Set this from x2 to x30. This controls the amount of light used to locate and process defects. We suggest that you stick to the factory default setting of x4.

AGC: Set this from 0–8. This controls the signal from the camera's chip; higher values create lighter images. We suggest that you stick to the factory default setting of 8.

Return: Press **Iris+** to go back to the previous menu.

Return: Press **Iris+** to go back to the previous menu.

Adjust

Sharpness

Adjust the sharpness of the camera image from 0 (unchanged) to 15 (highly sharpened).

Monitor

Select whether the monitor that is viewing the camera data is a CRT or LCD.

Gamma (LCD only) / **Black Level** (CRT only): This adjusts the lightness or darkness of the image.

Blue Gain and **Red Gain**: Use the arrows to adjust the blue and red levels (these determine the green level).

Return: Press **Iris+** to go back to the previous menu.

LSC

Activate lens shadow compensation, to brighten the area surrounding the camera.

Return

Press **Iris+** to go back to the previous menu.

Reset

Factory: Press **Iris+** Reset all camera settings to default.

Return: Press **Iris+** to go back to the previous menu.

Exit

Press **Iris+** to exit the menu.

Support

Need Help? Contact Tech Support!

If you need further clarification, please email support@SnapAV.com. For more information, instructional videos, support documentation, or ideas, visit our website and view your item's product page at SnapAV.com.

5-Year Limited Warranty

This Luma Surveillance™ product has a 5-Year Limited Warranty. This warranty includes parts and labor repairs on all components found to be defective in material or workmanship under normal conditions of use. This warranty shall not apply to products that have been abused, modified or disassembled. Products to be repaired under this warranty must be returned to SnapAV or a designated service center with prior notification and an assigned return authorization (RA) number.

Copyright ©2015 by SnapAV. All rights reserved. SnapAV, Luma Surveillance, Wirepath Surveillance, and all related marks and images are trademarks or registered trademarks of SnapAV.

Version 150820-1428.