



Long Arm Mount  
Surveillance Accessory

## Installation Manual

### 1: Installation

Before you start, ensure that the hardware is in good condition and all assembly parts are included.

Check that the mounting surface is strong enough to withstand three times the weight of the mount and camera.

If installing on a cement surface, use the included expansion anchors to install the mount. If installing on a wood surface, use self-tapping wood screws (not included) to secure the mount.

Take care that all equipment is powered off during installation.

**Important Note:** To avoid damaging the surface of your camera during installation, keep it away from walls and other objects. Do not remove the protective coating from the camera until after it is completely installed.

If the product does not assemble properly, please contact technical support.

### Compatibility

This can be used with Luma Surveillance 300-, 500-, and 700-series IP and analog dome cameras with an attached cap mount, or 500- and 510- series IP PTZ cameras.

It can be supplemented with Luma Surveillance pendant mount extenders and/or pole mounts.

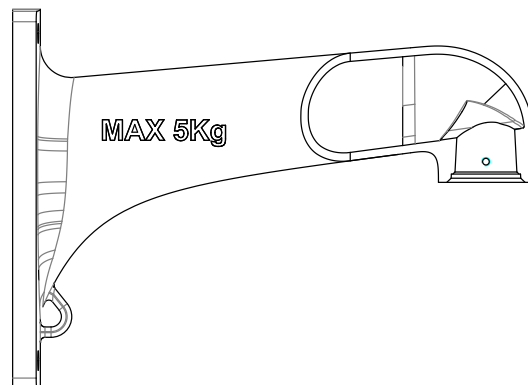
### 2: Box Contents

Before installing, familiarize yourself with the parts of your mount.

- Arm bracket
- 4 wall anchors
- 1 locking screw

### Other Required Equipment

- Camera with attached cap mount
- Precision flathead screwdriver
- A large flathead screwdriver or a quarter dollar coin
- 10mm socket wrench



### 3: Prepare for Installation

Attach your PTZ camera to the dome cap according to the instructions supplied with the cap.

Run the cables from the wall through the center of the long arm mount and attach it to the cables from the camera.

## 4: Prepare for Mounting

Mark the locations for your mounting screws or wall anchors. Drill pilot holes for your screws or bolts, as well as a cable hole.

Secure the long arm mount to the mounting surface.

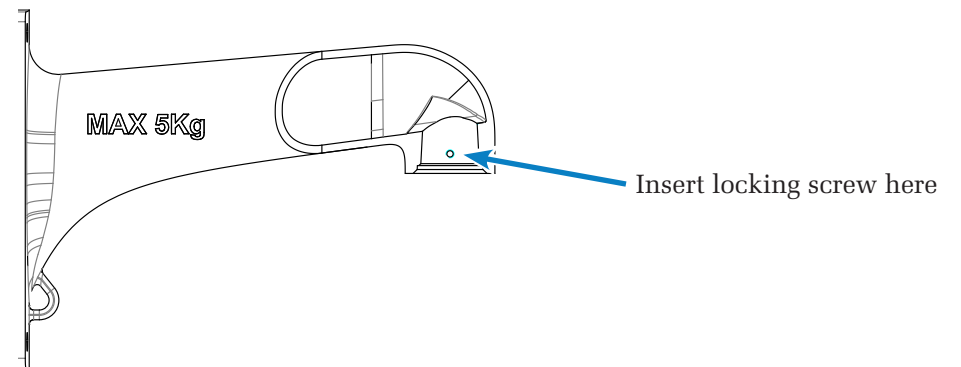
## 5: Prepare the Arm Bracket

Thread the wires from the wall through the center of the arm bracket.

Hang the camera lanyard from the hook on the base of the arm bracket. This way you have your hands free to connect all the wiring.

Connect the wiring to the camera.

Screw the camera / dome cap assembly onto the arm bracket. Once it is tightly seated, use a locking screw to secure the attachment by inserting it into the hole at the threads.



## 6: Weatherproofing

We recommend you run a silicone bead between the arm mount and the installation surface, as well as between the end of the arm mount and the camera.

## Support

If you need help, email [support@SnapAV.com](mailto:support@SnapAV.com). For information, instructional videos, support documentation, or ideas, visit our website.

### 5-Year Limited Warranty

This Luma Surveillance™ product has a 5-Year Limited Warranty. This warranty includes parts and labor repairs on all components found to be defective in material or workmanship under normal conditions of use. This warranty shall not apply to products that have been abused, modified or disassembled. Products to be repaired under this warranty must be returned to a designated service center with an assigned return authorization (RA) number. Contact technical support for an RA number.

Copyright ©2019 Luma Surveillance. All rights reserved.