



## WPS-100-DOM-A-WH

# DOME CAMERA

### INSTALLATION MANUAL

Review manual thoroughly  
before installation.

Retain for future reference.

## SAFETY INSTRUCTIONS

This information is provided to ensure your safety and to prevent physical or financial loss. Please read this document carefully before installing and operating the camera.

### 1. Handle with care.

This camera is not designed to resist heavy impact. Use caution when handling to avoid damage to sensitive internal components.

### 2. Do not install the camera under extreme temperatures.

This camera only operates under temperature conditions between 14°F ~ 140°F.

### 3. Do not mount the camera directly facing bright light sources.

Exposing the camera to strong light over long periods of time will damage the camera's sensor.

### 4. Do not supply voltage other than 12VDC.

Higher voltages will damage the camera's electronic components.

### 5. Do not install the camera in environments with extreme humidity.

Installing camera in environments with extreme humidity may cause moisture to condense on the surface of the lens or dome cover, which can affect picture quality.

CE FC RoHS ISO 9001

## FEATURES

- **1/4" Sony Sharp Color CCD**  
The Sharp CCD offers low Lux capability with a clear, crisp image.
- **Fixed Lens**  
This camera features a wide-angle lens with a focal length of **3.6mm** for a wide range of applications.
- **Built-In Infrared**  
IR LEDs provide the ability to capture images during night and low light conditions.
- **Backlight Compensation**  
Backlight compensation will adjust the exposure of a subject standing in front of a bright light source.

## PACKAGE CONTENTS

- (1) Camera
- (3) Screws
- (3) Wall fasteners
- Manual

**NOTE: A POWER SUPPLY IS NOT INCLUDED WITH THIS CAMERA.**  
The PS-12DC-1A is recommended.

## SPECIFICATIONS

WPS-100-DOM-A-WH Wirepath™ Surveillance IR Indoor Dome Camera with Fixed Lens (420 TVL)	
Image Sensor	1/4" Sharp CCD
Number of Pixels	NTSC:768(H)x494(V) PAL:752(H)x582(V)
Lens	3.6mm Fixed
Shutter Control	<NTSC>1/60~1/100,000 sec; <PAL>1/50~1/100,000 sec
Auto Electronic Shutter	ON
Auto Gain Control	ON
Back Light Compensation	ON
Auto White Balance	ON
Sync. Mode	Internal Sync
Scanning System	2:1 Interlace
Resolution	420 TV Lines
S/N Ratio	>48dB
Gamma	0.45
Minimum illumination	.3 Lux color, 0 Lux IR on
IR Range	32ft
Horizontal Sync. Frequency	NTSC: 15.734KHz; PAL: 15.625KHz
Video Output	1.0Vp-p,75ohm
Power Source	12 VDC (500 mA) – Not included
Power Consumption	3.6W - 300mA
Operating Temperature	14F-140F
Dimensions	3.52(H) x 3.69" (W)
Net Weight	.49 lb

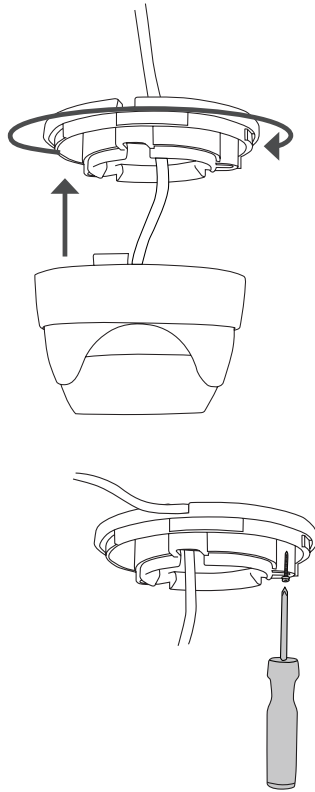
\*Specifications are subject to change without notice



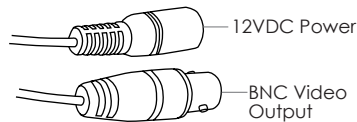
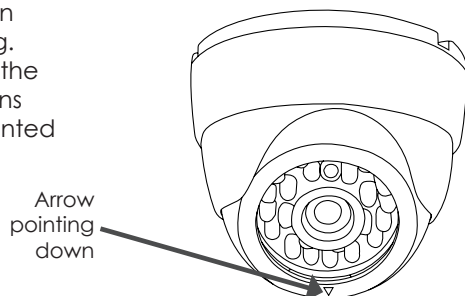
## INSTALLATION INSTRUCTIONS

This camera is intended for indoor use only. Recommended cabling includes solid copper RG59 or RG6 for video and 18 AWG two-conductor for power.

1. Remove the base by gently twisting counter clockwise. Use caution when separating from the base as camera will be loose.
2. Position the camera's base in the desired location. Use the provided screws to attach the camera base to the wall or ceiling. Ensure the power cord is fed through the center of the base and placed in the power cord notch.
3. Connect the power supply jack to 12 VDC and the BNC Video Output to the desired video line.
4. Re-attach the camera to the base by aligning the 3 tabs and twisting clock-wise to lock the camera to the base.



5. Once the camera is installed, check the orientation of the housing. The arrow on the front of the lens should be pointed down.



## WARRANTY

### 5-Year Limited Warranty

This camera has a 5-Year Limited Warranty. The warranty includes parts and labor repairs on all components found to be defective in material or workmanship under normal conditions of use. This warranty shall not apply to products which have been abused, modified, disassembled or improperly installed. Products to be repaired under this warranty must be returned to Wirepath™ Surveillance or a designated service center with prior notification and an assigned return authorization number (RA).

## TROUBLESHOOTING

If you have trouble operating the camera, first refer to the following guidelines. If the problem persists, contact Technical Support at 866.838.5052.

### Nothing appears on the display

- Check if the power for camera and monitor is ON.
- Check if the VIDEO cable is connected to the camera BNC video output jack.
- Check if the VIDEO cable is connected to the monitor VIDEO input jack.

### Image appears dim on the display

- Check the monitor contrast setting.
- Check the monitor brightness setting.
- Check the lens. If necessary, wipe with a soft, clean cloth.
- Check if the camera is facing towards a bright light. If so, change the camera position.
- If a device exists between the camera and screen, confirm the signal accepted by the screen is strong enough – 75 Ohm.

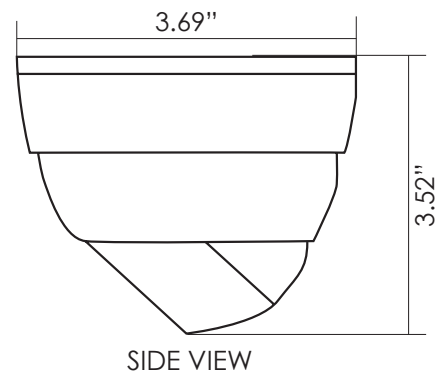
### Image appears blurry on the display

- Check the focus of the lens.
- Check the lens. If necessary, wipe with a soft, clean cloth.

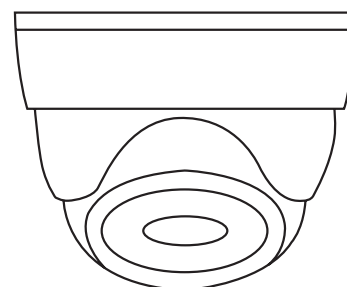
### The camera is not working properly and the camera housing is hot

- Check if camera is connected to the correct power source.

## DIMENSIONS



SIDE VIEW



FRONT VIEW