

# WIREPATH

## SURVEILLANCE



**WPS-300-BUL-A-GR**  
**WPS-300-BUL-A-WH**

---

# BULLET CAMERA

INSTALLATION MANUAL

*Review manual thoroughly before installation.  
Retain for future reference.*



## CONTENTS

---

|                                |   |
|--------------------------------|---|
| Safety Instructions .....      | 3 |
| Features.....                  | 4 |
| Package Contents .....         | 4 |
| Installation Instructions..... | 5 |
| Troubleshooting.....           | 7 |
| Dimensions .....               | 8 |



## **SAFETY INSTRUCTIONS**

---

This information is provided to ensure your safety and to prevent physical or financial loss. Please read this document carefully before installing and operating the camera.

**1. Handle with care.**

This camera is not designed to resist heavy impact. Use caution when handling to avoid damage to sensitive internal components.

**2. Do not install the camera under extreme temperatures.**

This camera only operates under temperature conditions between 14°F ~ 140°F.

**3. Do not mount the camera directly facing bright light sources.**

Exposing the camera to strong light over long periods of time will damage the camera's sensor.

**4. Do not supply voltage other than 12VDC.**

Higher voltages will damage the camera's electronic components.

**5. Do not install the camera in environments with extreme humidity.**

Installing camera in environments with extreme humidity may cause moisture to condense on the surface of the lens or dome cover, which can affect picture quality.



## FEATURES

---

- 1/3" Sony Super HAD II CCD  
The Sony Super Had II CCD is ideal for low lux illumination resulting in a clear and crisp image.
- Varifocal Lens  
This camera features a varifocal lens with a focal length of 4-9mm to offer flexibility during installation.
- Built-In Infrared with Smart IR  
IR LEDs provide the ability to capture images during night and low light conditions. Smart IR prevents IR over-exposure when an object is close to the camera
- Backlight Compensation  
Backlight compensation will adjust the exposure of a subject standing in front of a bright light source.

## PACKAGE CONTENTS

---

- (1) Camera
- (1) DC Plug
- (1) BNC Test Adapter
- (3) Screws
- (3) Wall fasteners
- (1) 2.5mm Allen Key
- (1) Foam Gasket
- (1) Installation Manual
- (1) Spare Silica Pack in Vacuum sealed bag

**NOTE: A POWER SUPPLY IS NOT INCLUDED WITH THIS CAMERA.**

The PS-12DC-1A or WPS-PS multiple output power supplies are recommended.

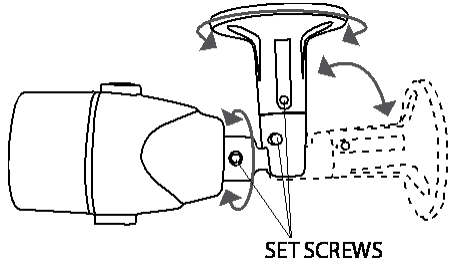
**NOTE:** The spare Silica pack is in a vacuum sealed bag, **DO NOT** remove from this bag until it is needed for use.



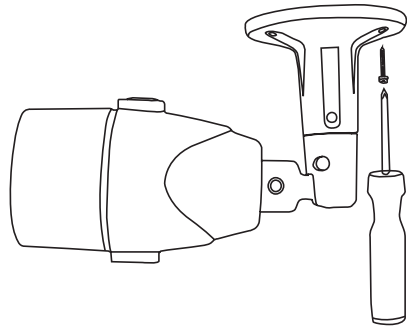
## INSTALLATION INSTRUCTIONS

Recommended cabling includes solid copper RG59 or RG6 for video and 18 AWG two-conductor for power.

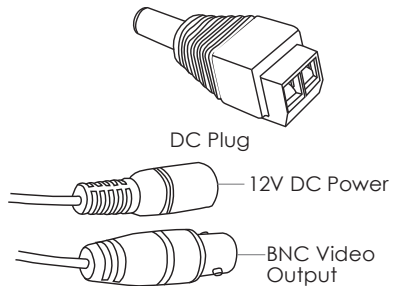
1. Prior to installation, it is recommended to pre-adjust the camera's bracket angle so the lens points in the desired direction. It is also recommended to connect the camera to a display and pre-adjust the zoom and focus (see step 4). Taking these steps will speed installation time.



2. Position the camera base at the desired location and use the provided screws to attach the camera base to the wall or ceiling.



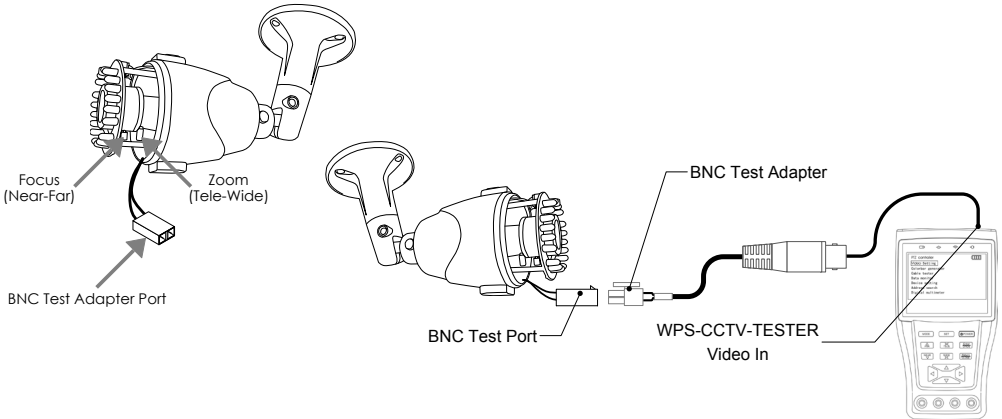
3. Using the DC plug supplied, connect the power supply jack to 12V DC and the BNC Video Output to the desired video line.





- Once the camera is installed, check the viewing angle, zoom and focus settings.

The camera is supplied with a BNC Test Adapter that allows for viewing the output of the camera on a monitor or the WPS-CCTV-TESTER. Use this connection to adjust the camera directly from the installed location.



- Remove the lens cap.
  - Remove the Silica pack from the camera housing located inside the lens cap and place aside. You will need to replace this pack once the installation is complete.
  - Connect the BNC Test Adapter to a Monitor or WPS-CCTV-TESTER.
  - Loosen, but do not remove the zoom and focus set screws on the lens.
  - Rotate the lens until you achieve the desired setting.
  - Once you have correctly set the zoom and focus, tighten the set screws.
- Carefully place the Silica pack removed in step 5 B into the camera housing. If the pack's blue crystals have turned pink this indicates the pack has absorbed moisture and must be replaced.
  - Replace the lens cap and tighten for a weatherproof seal. Install the sun shade to block direct sunlight on the lens.



## **TROUBLESHOOTING**

---

If you have trouble operating the camera, first refer to the following guidelines. If the problem persists, contact Technical Support at 866.838.5052.

### **Nothing appears on the display**

- Check if the power for camera and monitor is ON.
- Check if the VIDEO cable is connected to the camera BNC video output jack.
- Check if the VIDEO cable is connected to the monitor VIDEO input jack.

### **Image appears dim on the display**

- Check the monitor contrast setting.
- Check the monitor brightness setting.
- Check the lens. If necessary, clean with a soft, clean cloth.
- Check if the camera is facing towards a bright light. If so, change the camera position.
- If a device exists between the camera and screen, confirm the signal accepted by the screen is strong enough – 75 Ohm.

### **Image appears blurry on the display**

- Check the focus of the lens.
- Check the lens. If necessary, clean with a soft, clean cloth.

### **The camera is not working properly and the camera housing is hot**

- Check if camera is connected to the correct power source.

### **Condensation Appears on Camera Lens Cover**

- Check the color of the beads in the Silica pack under the lens cover.
- If the blue crystals have turned pink indicating that the pack has absorbed moisture, replace the pack with the spare provided with the camera.



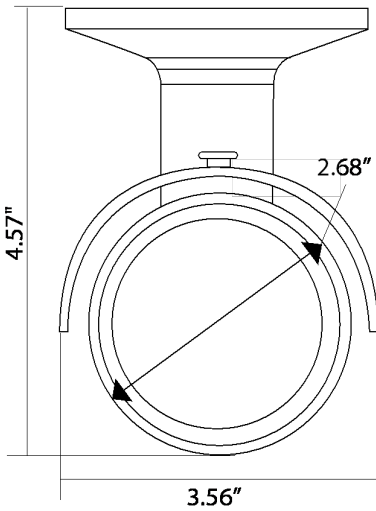
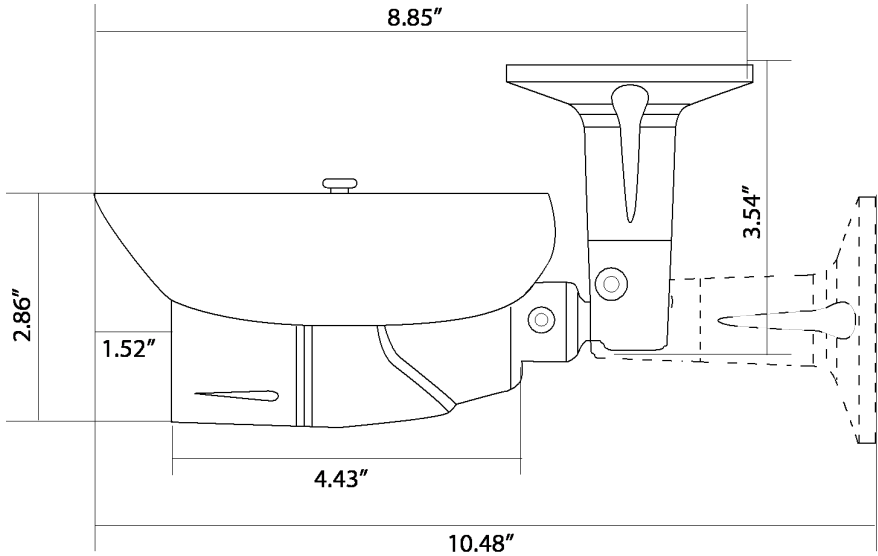
## SPECIFICATIONS

| WPS-300-BUL-A Wirepath™ Surveillance IR Outdoor Varifocal Bullet Camera (550 TVL) |  |
|---|--|
| Image Sensor  | 1/3" Color Sony Super HAD II                                   |
| Number of Pixels  | NTSC:768(H)x494(V)   |
| Lens  | 4~9mm Auto Iris Vari-Focal Lens, Horizontal FOV 60°(W)~30°(T)  |
| Shutter Control   | <NTSC>1/60~1/100,000 sec;<br><PAL>1/50~1/100,000 sec           |
| Auto Electronic Shutter   | ON   |
| Auto Gain Control   | ON   |
| Back Light Compensation   | ON   |
| Auto White Balance  | ON   |
| Sync. Mode  | Internal Sync  |
| Scanning System   | 2:1 Interlace  |
| Resolution  | 550 TV Lines   |
| S/N Ratio   | >48dB  |
| Gamma   | 0.45   |
| Minimum illumination  | 0.01 Lux color, 0 Lux IR on                                    |
| IR Range  | 50ft   |
| Smart IR  | Yes  |
| Horizontal Sync. Frequency  | NTSC: 15.734KHz; PAL: 15.625KHz                                |
| Video Output  | 1.0Vp-p,75ohm  |
| Power Source  | 12 VDC (500 mA) – Not included                                 |
| Power Consumption   | 3.6W - 300mA   |
| Weatherproof  | IP66 Grade   |
| Operating Temperature   | 14F-140F   |
| Certifications  | CE, FCC, ROHS  |
| Dimensions  | 10.48 (L) x 2.86 (H) with Sun Shade and Bracket fully extended |
| Net Weight  | .57 lb   |

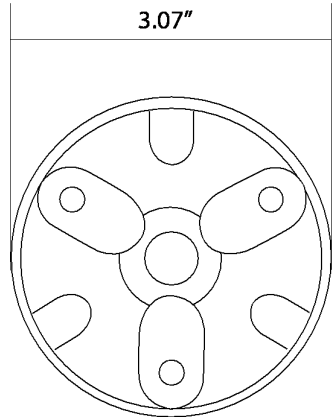




# DIMENSIONS



FRONT VIEW



BOTTOM VIEW

## WARRANTY

---

### 5-Year Limited Warranty

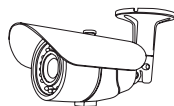
*This camera has a 5-Year Limited Warranty. The warranty includes parts and labor repairs on all components found to be defective in material or workmanship under normal conditions of use. This warranty shall not apply to products which have been abused, modified, disassembled or improperly installed. Products to be repaired under this warranty must be returned to Wirepath™ Surveillance or a designated service center with prior notification and an assigned return authorization number (RA).*

## CONTACTING TECHNICAL SUPPORT

---

**Phone:** (866) 838-5052

**Email:** [Techsupport@snapav.com](mailto:Techsupport@snapav.com)



**W I R E P A T H**  
SURVEILLANCE

121019-1650

© 2012 Wirepath Surveillance