



WPS-300-DOM-A-WH WPS-300-DOM-A-BL

DOME CAMERA

INSTALLATION MANUAL

Review manual thoroughly
before installation.

Retain for future reference.

SAFETY INSTRUCTIONS

This information is provided to ensure your safety and to prevent physical or financial loss. Please read this document carefully before installing and operating the camera.

1. Handle with care.

This camera is not designed to resist heavy impact. Use caution when handling to avoid damage to sensitive internal components.

2. Do not install the camera under extreme temperatures.

This camera only operates under temperature conditions between 14°F ~ 140°F.

3. Do not mount the camera directly facing bright light sources.

Exposing the camera to strong light over long periods of time will damage the camera's sensor.

4. Do not supply voltage other than 12VDC.

This camera regulates power within this range. Higher voltages will damage the camera's electronic components.

5. Do not install the camera in environments with extreme humidity.

Installing camera in environments with extreme humidity may cause moisture to condense on the surface of the lens or dome cover, which can affect picture quality.

CE FC RoHS ISO 9001

FEATURES

• 1/3" Sony Super HAD II CCD

The Sony Super Had II CCD is ideal for low lux illumination resulting in a clear and crisp image.

• Varifocal Lens

This camera features a varifocal lens with a focal length of **4-9mm** to offer flexibility during installation.

• Built-In Infrared with Smart IR

IR LEDs provide the ability to capture images during night and low light conditions. Smart IR prevents IR over-exposure when an object is close to the camera

• Backlight Compensation

Backlight compensation will adjust the exposure of a subject standing in front of a bright light source.

• 3-Axis Gimbal

A 3-axis gimbal design provides for a wide range of camera positioning angles through mechanical adjustment for both wall and ceiling mount applications.

PACKAGE CONTENTS

- (1) Camera
- (1) DC Plug
- (3) Screws
- (3) Wall fasteners
- Manual

NOTE: A POWER SUPPLY IS NOT INCLUDED WITH THIS CAMERA.

The PS-12DC-1A is recommended.

SPECIFICATIONS

WPS-300-DOM-A Wirepath™ Surveillance IR Indoor Varifocal Dome Camera (550 TVL)	
Image Sensor	1/3" Color Sony Super HAD II
Number of Pixels	NTSC:768(H)x494(V) PAL:752(H)x582(V)
Lens	4~9mm Fixed Iris Vari-Focal Lens, Horizontal FOV 60°(W)~30°(T)
Shutter Control	<NTSC>1/60~1/100,000 sec; <PAL>1/50~1/100,000 sec
Auto Electronic Shutter	ON
Auto Gain Control	ON
Back Light Compensation	ON
Auto White Balance	ON
Sync. Mode	Internal Sync
Scanning System	2:1 Interlace
Resolution	550 TV Lines
S/N Ratio	>48dB
Gamma	0.45
Minimum illumination	0.01 Lux color, 0 Lux IR on
IR Range	50ft
Smart IR	Yes
Horizontal Sync. Frequency	NTSC: 15.734KHz; PAL: 15.625KHz
Video Output	1.0Vp-p,75ohm
Power Source	12 VDC (500 mA) – Not included
Power Consumption	3.6W - 300mA
Operating Temperature	14F-140F
Certifications	CE, FCC, ROHS
Dimensions	3.07(H) x 4.65" (W)
Net Weight	.57 lb

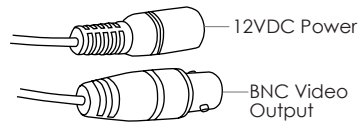
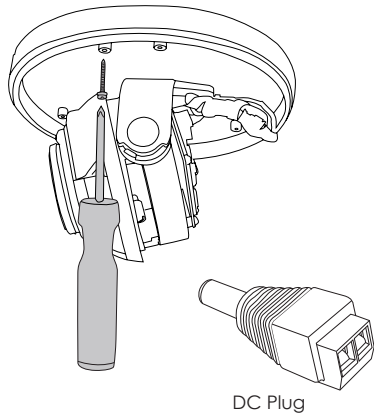
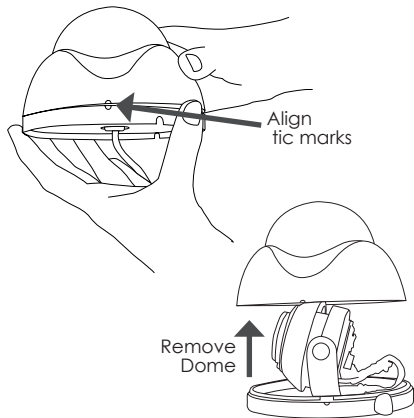
*Specifications are subject to change without notice

INSTALLATION INSTRUCTIONS

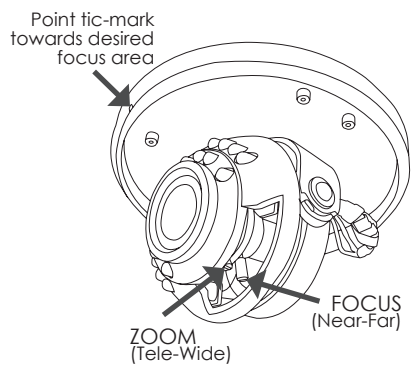


This camera is intended for indoor use only. Recommended cabling includes solid copper RG59 or RG6 for video and 18 AWG two-conductor for power.

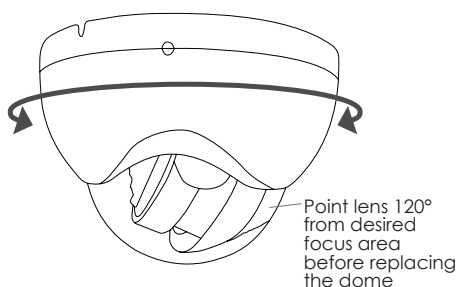
1. Open the camera by aligning the two tic marks and gently removing the dome from the base.
2. Using the supplied DC plug, connect the power supply jack to 12 VDC and the BNC Video Output to the desired video line.
3. Position the camera's base in the desired location. Point the tic mark on the base in the direction that the camera will ultimately face. Use the provided screws to attach the camera base to the wall or ceiling.
4. To adjust the zoom and focus, use a small screwdriver to loosen (but not remove) the set screws. Using the set screws, rotate the lens until you achieve the desired setting.



5. Once the camera is installed, check the angle. The lens angle should not exceed 50° off of the center axis. After vertical and leveling adjustments have been made, it is recommended to rotate the camera 120 degrees in either direction away from its final position.



6. Replace the dome by aligning the two tic marks. The fit will be tight to properly seal the dome to the rubber gasket surrounding the lens used to prevent any IR LEDs from reflecting back into the lens. Rotate the dome back 120 degrees so the camera is now facing the correct direction and the dome is locked to the base.



TROUBLESHOOTING

If you have trouble operating the camera, first refer to the following guidelines. If the problem persists, contact Technical Support at 866.838.5052.

Nothing appears on the display

- Check if the power for camera and monitor is ON.
- Check if the VIDEO cable is connected to the camera BNC video output jack.
- Check if the VIDEO cable is connected to the monitor VIDEO input jack.

Image appears dim on the display

- Check the monitor contrast setting.
- Check the monitor brightness setting.
- Check the lens. If necessary, clean with a soft, clean cloth.
- Check if the camera is facing towards a bright light. If so, change the camera position.
- If a device exists between the camera and screen, confirm the signal accepted by the screen is strong enough – 75 Ohm.

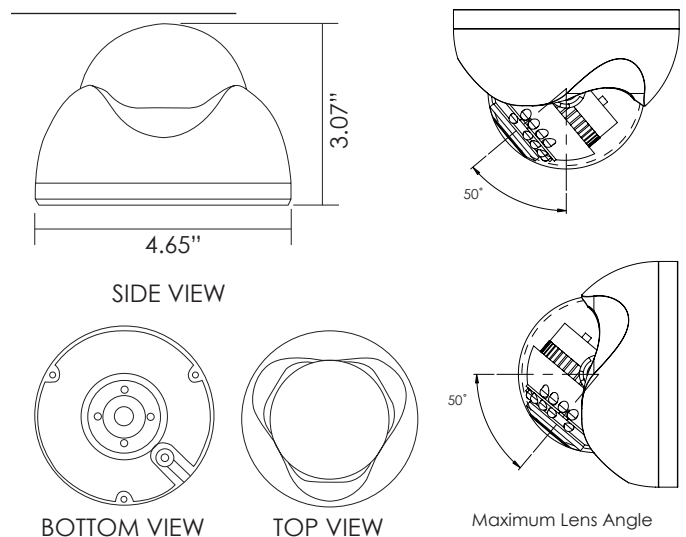
Image appears blurry on the display

- Check the focus of the lens.
- Check the lens. If necessary, clean with a soft, clean cloth.

The camera is not working properly and the camera housing is hot

- Check if camera is connected to the correct power source.

DIMENSIONS



WARRANTY

5-Year Limited Warranty

This camera has a 5-Year Limited Warranty. The warranty includes parts and labor repairs on all components found to be defective in material or workmanship under normal conditions of use. This warranty shall not apply to products which have been abused, modified, disassembled or improperly installed. Products to be repaired under this warranty must be returned to Wirepath™ Surveillance or a designated service center with prior notification and an assigned return authorization number (RA).