

WIREFATH

SURVEILLANCE



WPS-500/750-PTZ-A-WH

ANALOG PTZ CAMERA

INSTALLATION MANUAL
*Review manual thoroughly before installation.
Retain for future reference.*

Safety Instructions

1. Read and follow all instructions and warnings in this manual. Keep for future reference.
2. Install according to manufacturer's instructions.
3. Do not install near any heat sources such as radiators, heat registers, stoves or other apparatus (including amplifiers) that produce heat.
4. Only use attachments/accessories specified by the manufacturer.
5. Refer all servicing to qualified service personnel. Servicing is required when the apparatus has been damaged in any way, such as when the power-supply cord or plug is damaged, does not operate normally, or has been dropped.

BE SURE TO FOLLOW FEDERAL, STATE, AND LOCAL GOVERNMENT ELECTRICAL CODES FOR PROPER GROUNDING AND SURGE PROTECTION.

NOTE: To maximize reliability and performance, we recommend you install with RG59 or RG6 instead of Cat5e cables and baluns at each end.

FCC Notice

WARNING: Changes or modifications to this unit not expressly approved by the party responsible for the compliance could void the user's authority to operate the equipment.

This equipment has been tested and found to comply with the limits for a Class B digital device, pursuant to Part 15 of the FCC Rules. These limits are designed to provide reasonable protection against harmful interference in a residential installation. This equipment generates, uses, and can radiate radio frequency energy and, if not installed and used in accordance with the instructions, may cause harmful interference to radio communications. However, there is no guarantee that interference will not occur in a particular installation. If this equipment does cause harmful interference to radio or television reception, which can be determined by turning the equipment off and on, the user is encouraged to try to correct the interference by one or more of the following measures:

- Reorient or relocate the receiving antenna.
- Increase the separation between the equipment and receiver.
- Connect the equipment to an outlet on a circuit different from that to which the receiver is connected.
- Consult the dealer or an experienced radio TV technician for help.

Table of Contents

1. Features	6
2. Package Contents	7
2.1. WPS-500-PTZ-A	7
2.2. WPS-750-PTZ-A	7
3. Camera Installation	8
3.1. Installation Steps Overview	8
3.2. Wiring Requirements	8
3.3. Wall Mount Assembly	9
3.3.1. Assembly Instructions	9
3.3.2. Mounting Instructions	9
3.4. Junction Box Mount	10
3.4.1. Mounting and Use Guidelines	10
3.4.2. Assembly Instructions	10
3.4.3. Mounting Instructions	10
3.5. In-Ceiling Mount (WPS-500-PTZ-A ONLY)	11
3.5.1. Mounting and Use Guidelines	11
3.5.2. Assembly Instructions	11
3.5.3. Mounting Instructions	11
3.6. Pendant Mount	12
3.6.1. Mounting and Use Guidelines	12
3.6.2. Assembly Instructions	12
3.6.3. Mounting Instructions	12
3.7. Pole Mount	13
3.7.1. Mounting and Use Guidelines	13
3.7.2. Assembly Instructions	13
3.7.3. Mounting Instructions	13
3.8. Outside Corner Mount	14
3.8.1. Mounting and Use Guidelines	14
3.8.2. Assembly Instructions	14
3.8.3. Mounting Instructions	14
3.9. DIP Switch Configuration	15
3.9.1. WPS-500-PTZ-A DIP Switch Configuration	15
3.9.2. WPS-750-PTZ-A DIP Switch Configuration	15
3.9.3. DIP Switch Configuration Instructions	15
3.10. Final Installation Instructions	16
4. OSD Setup Menu	17
4.1. Accessing and Operating the Setup Menu	17
4.2. Main Menu Overview	17
4.3. Dome Information Menu Overview	18
4.4. Display Options Menu Overview	18
4.4.1. Camera Name Setup Instructions	18
4.5. Control Options Menu Overview	19

4.5.1. Dome Address Setup Instructions.....	19
4.6. Camera Options (Main Setup).....	20
4.7. Function Programming Menu Overview.....	22
4.7.1. Preset Menu Overview.....	22
4.7.1.1. How to Add or Select a Preset ID.....	23
4.7.1.2. How to Call a Preset.....	23
4.7.1.3. How to Delete Presets.....	23
4.7.1.4. Naming Presets.....	23
4.7.2. Vector Scan Menu Overview.....	24
4.7.2.1. Setting up a Vector Scan.....	24
4.7.2.2. Running a Vector Scan.....	24
4.7.2.3. Deleting a Vector Scan.....	24
4.7.3. Pattern Menu Overview.....	25
4.7.3.1. Setting up a Pattern.....	25
4.7.3.2. Running a Pattern.....	25
4.7.3.3. Deleting a Pattern.....	25
4.7.3.4. Naming a Pattern.....	25
4.7.4. Sector Setup Menu Overview.....	26
4.7.4.1. Sector Setup and Naming Instructions.....	26
4.7.5. Mask Zone and Mask Color Menu Overview (ONLY ACTIVE IN WPS-750-PTZ-A).....	26
4.7.5.1. Mask Zone Setup Instructions.....	26
4.7.6. Motion Menu Overview.....	27
4.7.6.1. Park Action Setup Instructions.....	27
4.7.6.2. Power On Action Setup Instructions.....	27
4.7.6.3. Limit Operation Setup Instructions.....	27
4.8. System Setup Menu Overview.....	28
4.8.1. Clear Memory Instructions.....	28
4.8.2. Restore Default Settings Instructions.....	28
4.8.3. Dome Restart Instructions (Reboot).....	28
4.8.4. IR Module Setup Instructions (ONLY ACTIVE IN WPS-750-PTZ-A).....	28
5. Short-cut Operations and Specifications.....	29
5.1. How To Use Shortcut Codes.....	29
5.1.1. Preset and Shortcut Notes.....	29
6. Troubleshooting.....	30
7. Specifications.....	31
8. Contacting Technical Support.....	31
9. 3-Year Limited Warranty.....	31

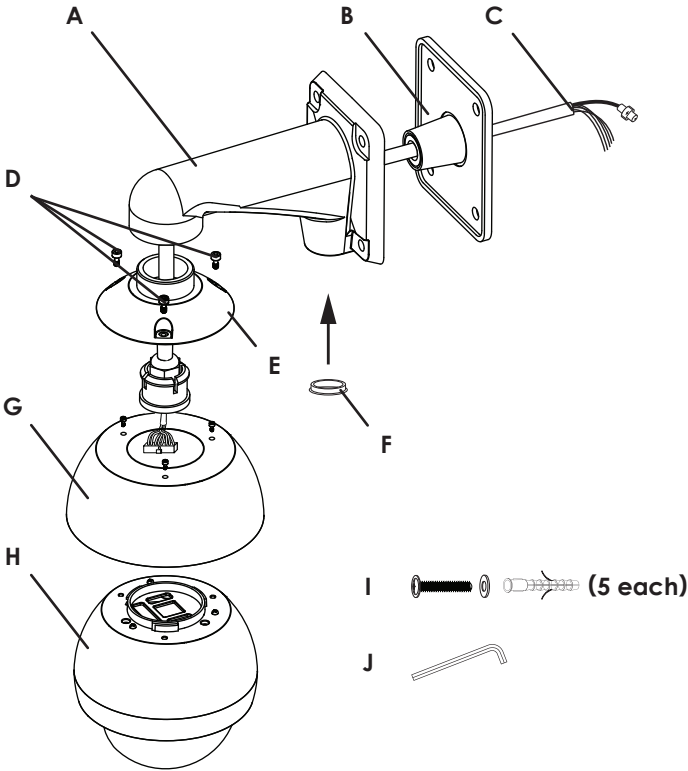
1. Features

- WPS-500-PTZ-A features 12x zoom
- WPS-750-PTZ-A features 37x zoom
- 680 TVL resolution
- FCC, CE verified
- 360-degree continuous panning
- Tilt 90-degree action plus 2-degree angle adjustment
- Pan manual operation speed from 0.1 to 150 degree per second
- Tilt manual operation speed from 0.1 to 55 degree per second
- 128 preset positions
- Easy installation interface
- IP66-rated enclosures
- Long distance RS-485 transmission mode
- Selectable baud rate (2400bps/4800bps/9600bps/19200bps)
- Intuitive display options for position, ID, crosshair targeting, and more
- 3 PTZ patterns operation with 8-minute recording of each pattern
- 6 group of programmable vector scans
- Auto flip function with 10-degree vertical tilt past horizontal axis
- 8 sectors of programmable sectional mask
- 8 sectors of programmable sectional display
- Operation return function
- Intelligent manual scan function
- Intelligent power off real time memory
- Camera zoom in speed limit function
- Remote setting of dome address
- The WPS-750-PTZ-A has a single strong IR that works in concert with the zoom allowing for an even IR spread as the camera zooms to distances of over 350 feet. This intelligent IR design also consumes up to 40% less power than typical IR PTZ cameras.

2. Package Contents

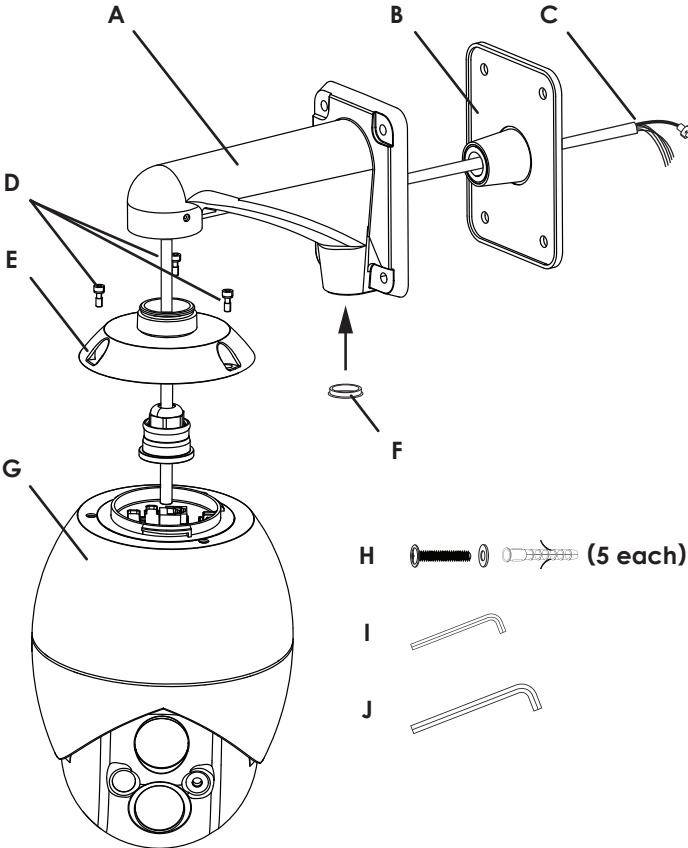
2.1. WPS-500-PTZ-A

- A. Wall Mount
- B. Silicone Wall Gasket
- C. Wiring Harness
- D. M4x10 Top Cap Screws (3)
- E. Top Cap
- F. 3/4" Silicone Knockout Plug
- G. Sun Shield
- H. Camera Assembly
- I. Surface Mounting Hardware (5 each, 1 spare)
- J. 3.0 mm Hex Key
 - M4x10 Screws with Grommets
 - Mounting Screws and Anchors



2.2. WPS-750-PTZ-A

- A. Wall Mount
- B. Silicone Wall Gasket
- C. Wiring Harness
- D. M5x12 Top Cap Screws (3)
- E. Top Cap
- F. 3/4" Silicone Knockout Plug
- G. Camera Assembly
- H. Surface Mounting Hardware (5 each, 1 spare)
- I. 2.5 mm Hex Key
- J. 4 mm Hex Key



3. Camera Installation

In addition to the included wall mount, Wirepath Surveillance offers accessory mounts for expanding the installation options of the WPS-PTZ-A camera series. Some accessories may be used together for an even wider range of mounting options.

- Wall Mount (included with camera)
- WPS-MNT-PA-POLE-WH pole adapter mount (use with included wall mount)
- WPS-MNT-PA-CNR-WH outside corner mount (use with included wall mount)
- WPS-MNT-PA-PND-WH pendant mount
- WPS-MNT-5PA-IC-WH in-ceiling mount (**WPS-500-PTZ-A only**)

3.1. Installation Steps Overview

- 1. Install wiring between the camera and the head-end equipment.**
See section "3.2. Wiring Requirements" on page 8 (below) for requirements.
- 2. Assemble the required mounting accessories and mount the camera.**
Determine what accessories are required and assemble the required parts. Then use the included or other appropriate hardware to secure the mount assembly in place. See pages page 9-14 for instructions.
- 3. Set the camera configuration dip switches and record the settings.**
Set the camera RS485 ID, protocol, and baud rate so the PTZ controller can communicate with the camera. See section "3.9. Dip Switch Configuration" on page 15 for instructions.
- 4. Hang the camera on the mount and complete installation.**
Connect the wiring connector then fasten the camera to the mount. See section "3.10. Final Installation Instructions" on page 16 for instructions.
- 5. Power on and test the camera.**
Provide power and test for video and PTZ control. See the troubleshooting section on page 30 for diagnosing issues.
- 6. Complete advanced setup in the configuration menu.**
Access the on-screen menus and complete advanced setup. See section "4. OSD Setup Menu" on page 17.

3.2. Wiring Requirements

The chart describes the camera wiring harness insulation colors. Install the specified cabling between the camera location and control/power equipment.

NOTE: To maximize reliability and performance, we recommend you install with RG59 or RG6 instead of Cat5e cables and baluns at each end.

NOTE: Between 500 and 750, wiring colors are the same but the connector pin-outs are different.

Camera Wire Color	Use	Description	Recommended Cable/Wiring
Red	+24V AC	Provides power to the camera. Connect to a 24V AC power supply (minimum 3A)	16 AWG, max run 150 ft.
Black	-24V AC		
White	+RS485	RS485 PTZ control connections	16/18 AWG, max run 2000 ft.
Green	-RS485		
BNC	Video	Connect to DVR/monitor to see video feed	RG59 Coax w/BNC (75 Ohm)

3.3. Wall Mount Assembly

3.3.1. Assembly Instructions

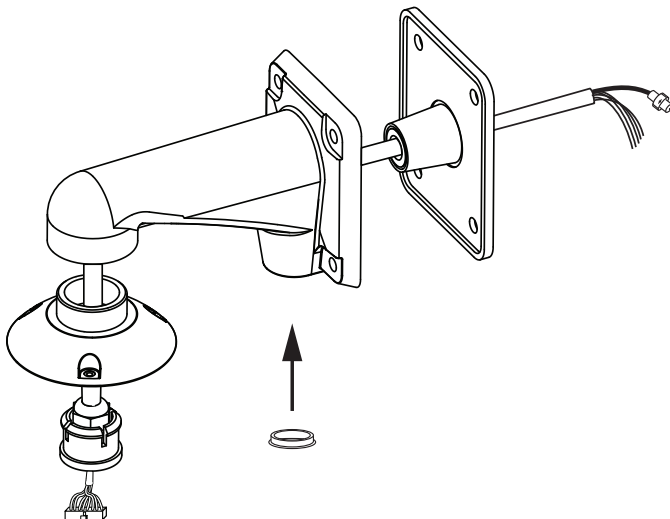
1. Remove the camera and parts from the packaging. In order to work with the camera before hanging it on the mount, leave it sitting in the foam packaging.
2. Remove the top cover by twisting it counter-clockwise and unhooking the security cable from the hook in the top of the camera. (The cable loop can be loosened by pulling.)
3. Cut an opening for the wiring in the silicone gasket.
4. Pass the top cap and the wall mount arm over the wiring harness as shown.
5. Screw the top cap into the wall mount arm until there is about 1/2 turn of threads left.
6. Pull the wiring harness through the opening made in the silicon gasket.
7. Seat the weatherized fitting into the top cap and slide the gasket into position at the back of the wall mount arm.
8. Insert the 3/4" knockout grommet in the bottom of the mount if it will not be used.
9. Leave the top cap set screw loose until the camera has been installed. The wall mount assembly is now ready for use.
10. Continue assembly of any additional accessories if needed or continue below.

3.3.2. Mounting Instructions

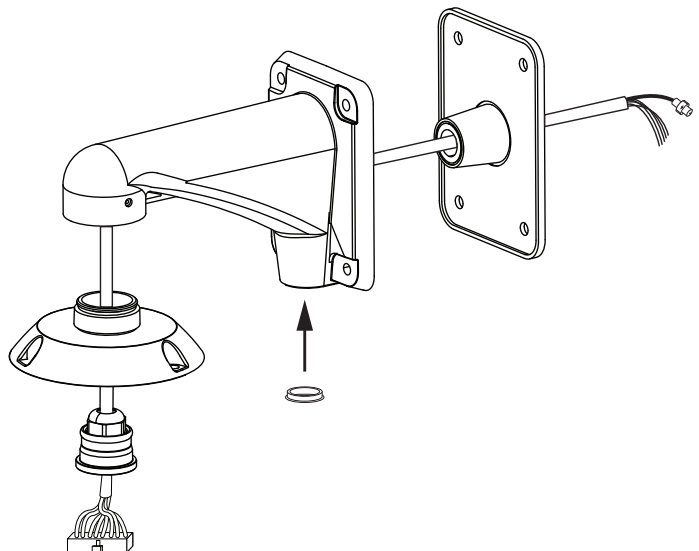
1. Line up the wall mount over the wiring and make 4 mounting hole marks through the mounting holes at the corners.
2. Drill holes inside the marks and insert anchors if needed.
3. Connect the wiring harness to the wiring in the junction box. Use the wiring chart in section "3.2. Wiring Requirements" on page 8 for reference.
4. Secure the mount to the wall using 4 fasteners.
5. See section "3.10. Final Installation Instructions" on page 16 to complete installation.

WPS-PTZ-A Wall Mount Assembly Diagram

WPS-500-PTZ-A



WPS-750-PTZ-A



3.4. Junction Box Mount

3.4.1. Mounting and Use Guidelines

- The junction box should be installed so the back edge is flush with the wall and will not wobble after being secured.
- Be sure the junction box mount surface can easily support the weight of the junction box and camera assembly.

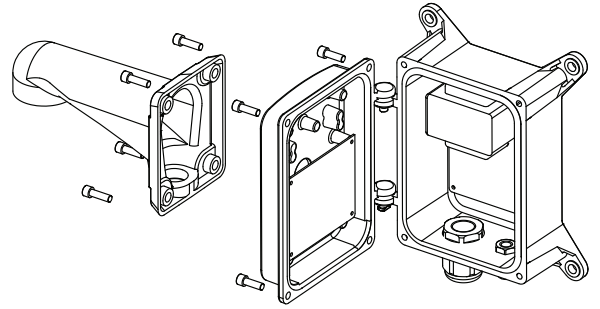
3.4.2. Assembly Instructions

1. Assemble the wall mount. See instructions on the previous page for reference.
2. If the wall mount will be attached to the junction box door, fasten it through the 4 surface mounting holes using the hardware included with the junction box.

3.4.3. Mounting Instructions

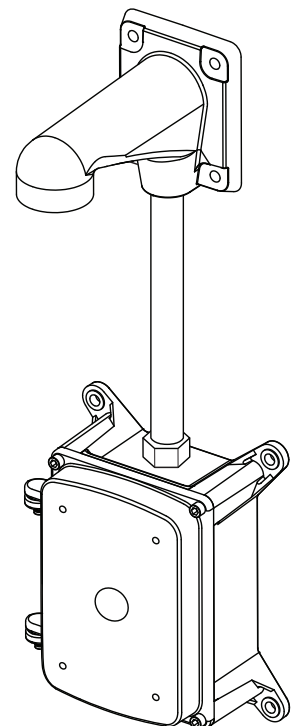
For installations where the wall mount is attached to the junction box door:

1. Remove the door and wall mount assembly from the junction box housing.
2. Line up the junction box over the wiring and make 4 mounting hole marks through the mounting holes at the corners.
3. Drill holes inside the marks and insert anchors if needed.
4. Bring the wiring into the box.
5. Mount the box using 4 fasteners.
6. Attach the door assembly and connect the wiring harness to the wiring in the junction box. Use the wiring chart in section "3.2. Wiring Requirements" on page 8 for reference.
7. Close the junction box and secure the door using the hardware included with the junction box.
8. See section "3.10. Final Installation Instructions" on page 16 to complete installation.



For installations where the junction box and camera are mounted separately on the wall:

1. Remove the door from the junction box housing.
2. Line up the junction box over the wiring and make 4 mounting hole marks through the mounting holes at the corners.
3. Drill holes inside the marks and insert anchors if needed.
4. Bring the wiring into the box.
5. Mount the box using 4 fasteners.
6. Install 3/4" conduit and wiring between the junction box and the wall mount location.
7. Connect the conduit wiring to the wires in the junction box. Use the wiring chart in section "3.2. Wiring Requirements" on page 8 for reference.
8. Attach the door and close the junction box. Secure the door using the included hardware.
9. See section "3.10. Final Installation Instructions" on page 16 to complete installation.



3.5. In-Ceiling Mount (WPS-500-PTZ-A ONLY)

3.5.1. Mounting and Use Guidelines

- Install only in areas where water cannot enter the opening made for the bracket.
- Ceiling must be able to hold the weight of the mounted camera assembly.
- Tie wire where required by building codes.

IMPORTANT: DO NOT REMOVE THE PROTECTIVE PLASTIC FILM FROM THE CAMERA DOME UNTIL INSTALLATION IS COMPLETE!

3.5.2. Assembly Instructions

1. Remove the top cover and sun shade from the camera. It will not be used with this mounting accessory. (Figure 1)
2. Slide the camera into the mount and rotate the camera to lock the slots together. The screw holes will align when the camera is correctly positioned. (Figure 2)
3. Secure the camera using the 3 screws included with the in-ceiling mount. (Figure 2)

3.5.3. Mounting Instructions

1. Center the mounting template on the camera location and mark the outline for the opening.
2. Use a saw to cut the opening. Remember, cutting a small hole and enlarging it will take less work than cutting the hole too large.
3. Connect the wiring harness to the camera and the wiring. Use the wiring chart in section "3.2. Wiring Requirements" on page 8 for reference.
4. Set the dip switches and record the settings. Use the chart on the camera or see section "3.9. Dip Switch Configuration" on page 15.
5. Insert the connected camera/mount assembly into the opening and evenly tighten the 3 Phillips screw dogs to secure the mount.
6. Attach the trim ring to the camera. If the ring will not sit flush with the ceiling, check to make sure the screw dogs are evenly tightened.
7. The camera may now be powered on and tested.
8. See section "4. OSD Setup Menu" on page 17 for advanced setup or the troubleshooting section on page 30 for diagnosing issues.

Figure 1.

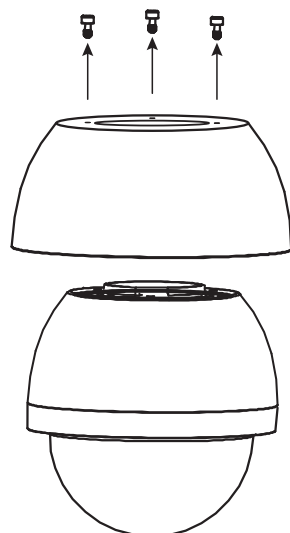
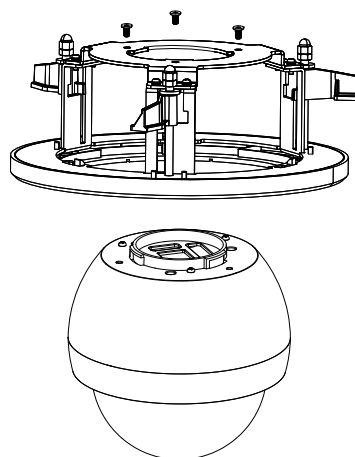


Figure 2.



3.6. Pendant Mount

3.6.1. Mounting and Use Guidelines

- Install only in areas where water cannot enter the opening made for the mount.
- Ceiling or soffit must be able to easily hold the weight of the pendant mount and the camera assembly.

3.6.2. Assembly Instructions

1. Remove the top cap from the camera.
2. Thread the mounting plate, extension pole, coupler for the camera ("A" for 500 or "B" for 750), and the camera top cap together.
3. Insert the wiring harness through the center of the pole. The connector should be located at the bottom of the pole for attachment to the camera.
4. Seat the grommet in the top cap.

3.6.3. Mounting Instructions

1. Center the mounting template where desired and mark the outline for the mounting location.
2. Create an opening and prepare the installed wiring to be passed through the mounting base and pole.
3. Drill three mounting holes (and insert the anchors if using the included mounting hardware).
4. Connect the wiring harness to the camera wiring, making sure the silicone weatherproof gasket is placed correctly on top of the mounting plate. Use the wiring chart in section "3.2. Wiring Requirements" on page 8 for reference.
5. Secure the pendant assembly to the ceiling using the three screws.
6. See section "3.10. Final Installation Instructions" on page 16 to complete installation.

WPS-500-PTZ-A

Figure 1.

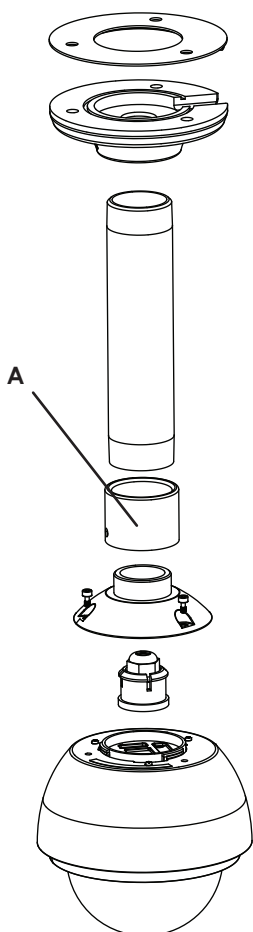
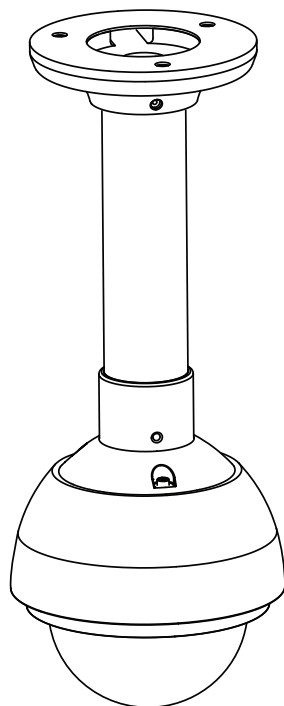


Figure 2.



WPS-750-PTZ-A

Figure 3.

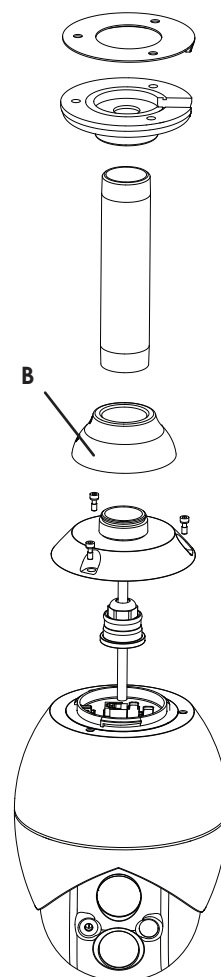
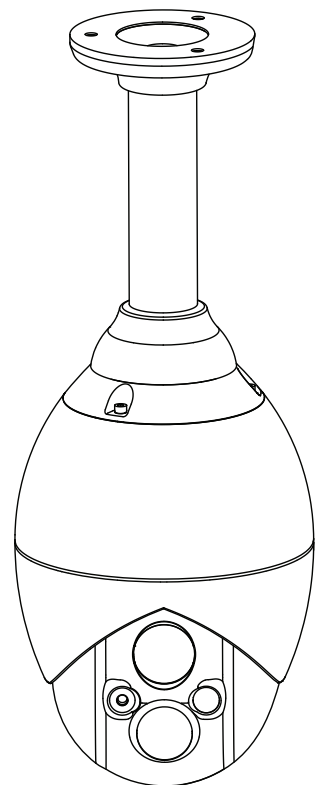


Figure 4.



3.7. Pole Mount

3.7.1. Mounting and Use Guidelines

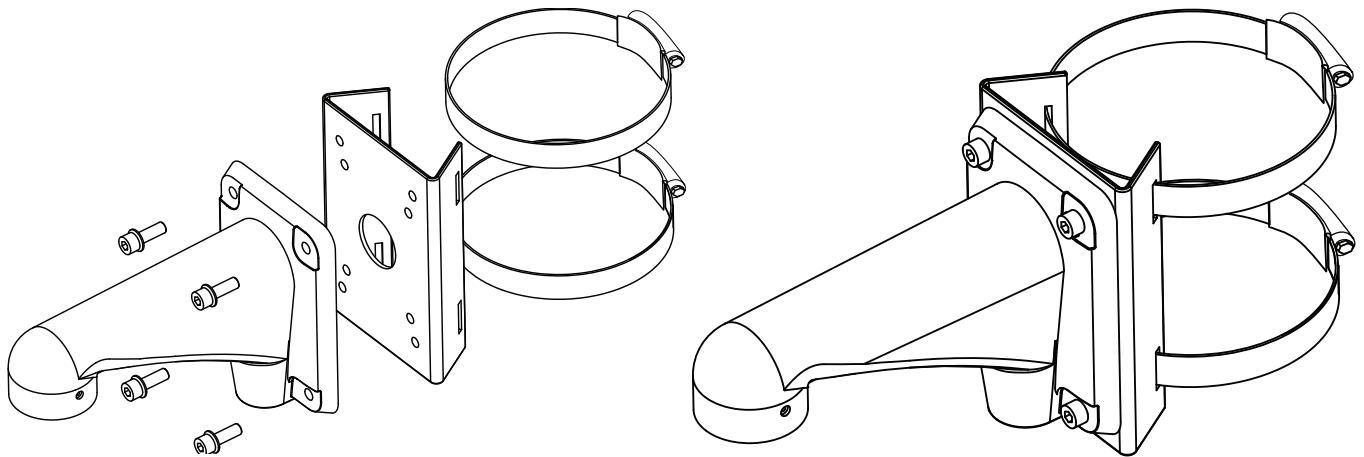
- The pole must be rated to support the weight of the pole mount pieces and the camera assembly.
- Be sure the pole mount is affixed properly to avoid slipping or sliding of the camera assembly.

3.7.2. Assembly Instructions

1. Assemble the wall mount ("3.3. Wall Mount Assembly" on page 9).
2. Assemble the junction box accessory if it is being used.
3. Attach the mounting accessories together using the included hardware.

3.7.3. Mounting Instructions

1. Attach the mount to the pole using the two included or similar straps rated for the weight of the camera assembly.
2. Attach conduit for wiring to the mount if needed.
3. Connect the wiring harness to the wiring. Use the wiring chart in section "3.2. Wiring Requirements" on page 8 for reference.
4. See section "3.10. Final Installation Instructions" on page 16 to complete installation.



3.8. Outside Corner Mount

3.8.1. Mounting and Use Guidelines

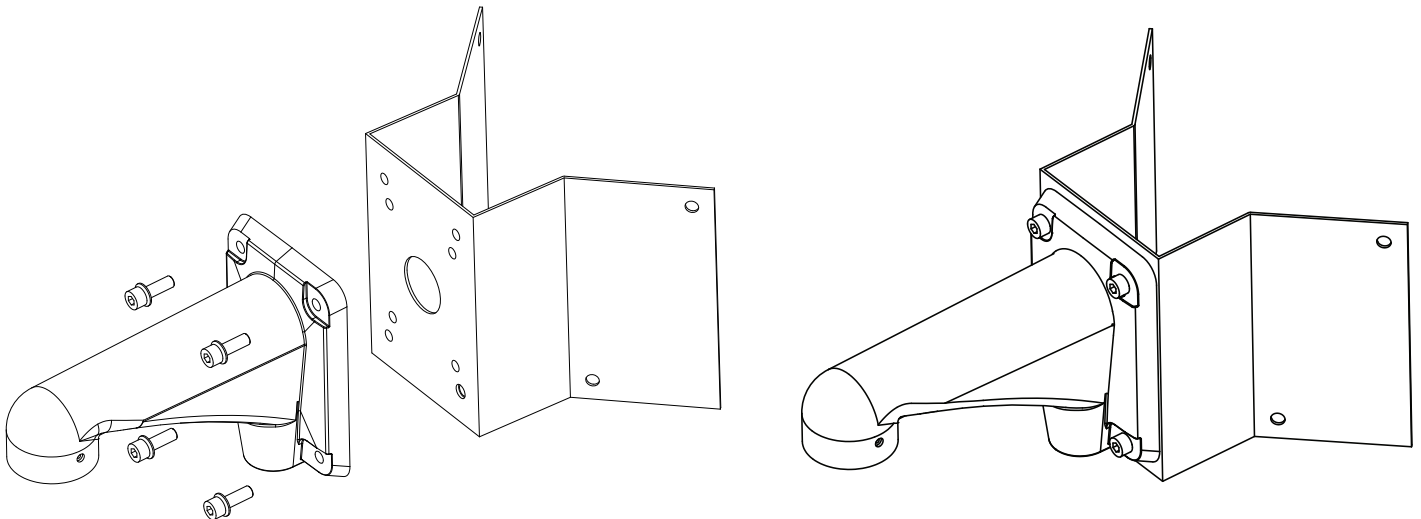
- The corner mount should be installed so that the edges are flush with the wall.
- The mounting surface must be able to support the weight of the corner mount assembly and camera.

3.8.2. Assembly Instructions

1. Assemble the wall mount ("3.3. Wall Mount Assembly" on page 9).
2. Assemble the junction box accessory if it is being used.
3. Attach the mounting accessories together using the correct hardware.

3.8.3. Mounting Instructions

1. Use the bracket to mark the 4 mounting holes on the corner.
2. Pre-drill the holes (and insert the anchors if using the included mounting hardware).
3. Connect the wiring harness to the wiring. Use the wiring chart in section "3.2. Wiring Requirements" on page 8 for reference.
4. Secure the mount assembly to the corner.
5. See section "3.10. Final Installation Instructions" on page 16 to complete installation.



3.9. Dip Switch Configuration

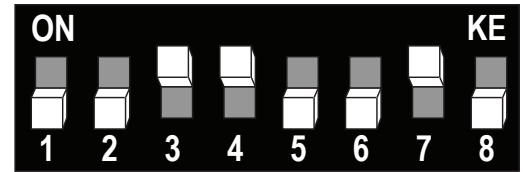
3.9.1. WPS-500-PTZ-A DIP Switch Configuration

DIP Switch Bank 1 (SW1)

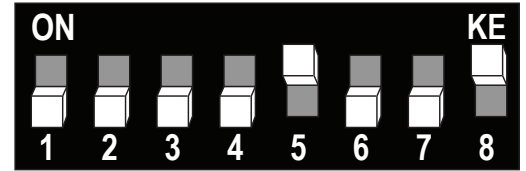
Protocol	Baud Rate	Dip Switch							
		1	2	3	4	5	6	7	8
Pelco-D	2400			ON	ON	OFF	OFF	OFF	OFF
Pelco-D	4800			ON	ON	OFF	OFF	OFF	ON
Pelco-D	9600			ON	ON	OFF	OFF	ON	OFF
Pelco-P	2400			OFF	OFF	ON	OFF	OFF	OFF
Pelco-P	4800			OFF	OFF	ON	OFF	OFF	ON

Dip Switch Bank 2 (SW2)

Dip Switch	1	2	3	4	5	6	7	8
Address	1	2	4	8	16	32	64	128



Sample: Switches for the 500, set for Pelco-D 9600 baud.



Sample: Switches for the 500, set for Pelco-P 4800 baud.

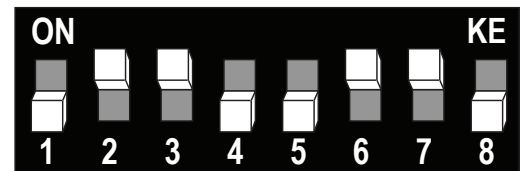
3.9.2. WPS-750-PTZ-A DIP Switch Configuration

DIP Switch Bank 1 (SW1)

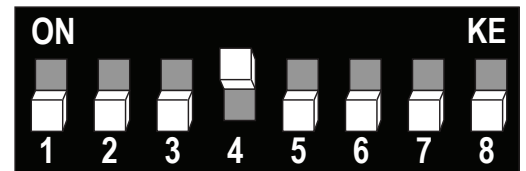
Protocol	Baud Rate	Dip Switch						
		1	2	3	4	5	6	7
Pelco-D	2400		ON	ON	OFF	OFF	OFF	OFF
Pelco-D	4800		ON	ON	OFF	OFF	OFF	ON
Pelco-D	9600		ON	ON	OFF	OFF	ON	OFF
Pelco-D	19200		ON	ON	OFF	OFF	ON	ON
Pelco-P	2400		OFF	OFF	ON	OFF	OFF	OFF
Pelco-P	4800		OFF	OFF	ON	OFF	OFF	ON
Pelco-P	9600		OFF	OFF	ON	OFF	ON	OFF
Pelco-P	19200		OFF	OFF	ON	OFF	ON	ON

Dip Switch Bank 2 (SW2)

Dip Switch	1	2	3	4	5	6	7	8
Address	1	2	4	8	16	32	64	128



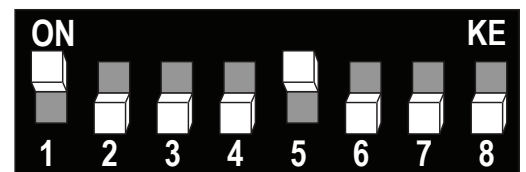
Sample: Switches for the 750, set for Pelco-D 19200 baud.



Sample: Switches for the 750, set for Pelco-P 2400 baud.

3.9.3. DIP Switch Configuration Instructions

- Set the DIP switches in bank 1 for the desired baud rate and protocol.
- Set the DIP switches in bank 2 for the desired PTZ ID address. The address value is determined by the sum of the switches set to "ON". Example:
 - To set the PTZ ID address to "115", turn on DIP switches 1 (1), 2 (2), 5 (16), 6 (32), and 7 (64).
 - $1 + 2 + 16 + 32 + 64 = 115$

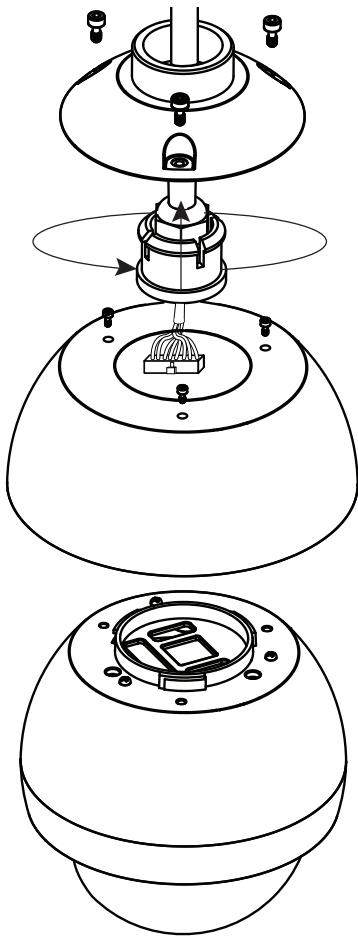


Sample: DIP switch 2, set for an address of 17 (=16+1).

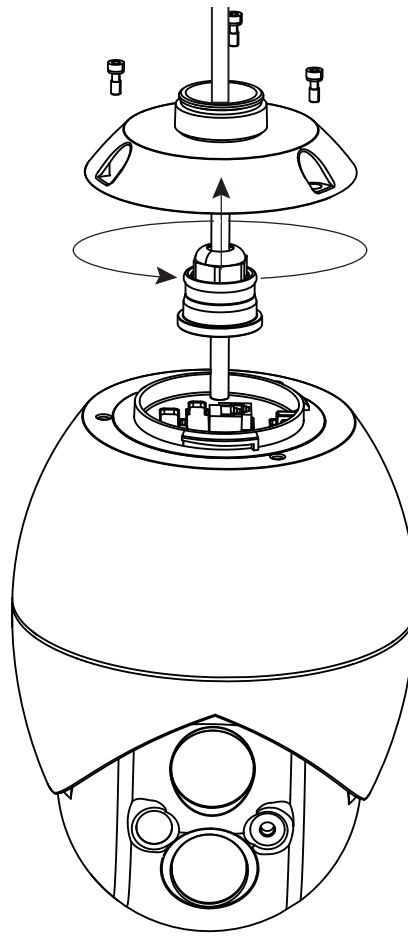
3.10. Final Installation Instructions

1. Connect the wiring connector to the camera.
2. Twist the camera to reduce binding on the wiring harness, and twist the camera mounting tabs into the top mount.
3. Twist the camera until the top cap holes line up to the holes in the camera.
4. Secure the camera to the top mount using 3 screws.
5. Remove any protective films or covers from the lens assembly. On the WPS-500-PTZ-A, remove the yellow tag from the lens.
6. For WPS-500-PTZ-A cameras, remove the protective film from the dome and twist the dome onto the camera until it is hand tight.

WPS-500-PTZ-A



WPS-750-PTZ-A



4. OSD Setup Menu

4.1. Accessing and Operating the Setup Menu

- Call preset "95" in the PTZ controller to access the setup menu.
- Move the joystick up or down to navigate the menu. The on-screen arrow points to the selected option.
- To change settings, move the joystick left or right. If nothing changes, enter the sub-menu by pressing your PTZ controller's "Iris +" or "OPEN" command.
- Press your PTZ controller's "Iris -" or "CLOSE" command to exit a menu.

4.2. Main Menu Overview

Navigate up or down using the PTZ joystick to make a selection. Press the "Iris +" ("OPEN") button on the PTZ controller to enter a sub-menu. Press the "Iris -" ("CLOSE") button to exit the Main menu.

- **LANGUAGE SETUP**
Select the desired language from English or French by moving the joystick left or right.
- **DOME INFORMATION**
Use this menu to see the current camera settings. See section "4.3. Dome Information Menu Overview" on page 18.
- **DISPLAY OPTIONS**
Set up the display to show desired camera information. See section "4.4. Display Options Menu Overview" on page 18.
- **CONTROL OPTIONS**
Configure how the camera reacts to automatic and manual control. See section "4.5. Control Options Menu Overview" on page 19.
- **CAMERA OPTIONS**
Configure the camera lens and sensor for achieving the best image quality. See section "4.6. Camera Options (Main Setup)" on page 20.
- **FUNCTION PROGRAMMING**
Program and execute automated PTZ functions for monitoring and motion detection. See section "4.7. Function Programming Menu Overview" on page 22.
- **SYSTEM SETUP**
Reset PTZ presets, camera settings, or restore the camera to default configuration. For the WPS-750-PTZ-A, IR setup is also found in this menu. See section "4.8. System Setup Menu Overview" on page 28.

4.3. Dome Information Menu Overview

Displays the following camera settings (cannot be changed in this menu):

- **CAMERA TYPE**
Displays the brand of image sensor installed in the camera.
- **PROTOCOL**
Pelco D or Pelco P, set using the camera dip switches.
- **BAUD RATE**
Displays the baud setting currently in use for RS485 (default: 4800).
- **DOME ID (RS485 ID)**
Displays the ID number currently in use for RS485.
- **SOFTWARE VERSION**
Displays the current firmware loaded in the camera.

Press the "Iris -" ("CLOSE") button on the PTZ controller to return to the main menu.

4.4. Display Options Menu Overview

- **CAMERA NAME SETUP**
Assign a display name so the camera location can be identified. See instructions in section "4.4.1. Camera Name Setup Instructions" on page 18 (below).
- **COORDINATES**
Current camera viewing position. Press left or right on the PTZ joystick to turn ON or OFF.
- **START UP MESSAGE**
Appears when the camera is booted up. Press left or right on the PTZ joystick to turn ON or OFF.
- **CROSSHAIRS**
Turn on the crosshairs in the center of the field of view to help aim the camera. Press left or right on the PTZ joystick to turn ON or OFF.

4.4.1. Camera Name Setup Instructions

Name the camera according to its location or field-of-view for easy identification when viewing video.

1. Highlight "Camera Name Setup" and press "Iris +" ("OPEN") to enter the sub-menu. The sub-menu provides 2 fields:
 - Name _____
 - Name Display (ON/OFF)
2. Press "Iris +" ("OPEN") to enter the name setup menu.
3. Use the joystick to select characters and the "Iris +" ("OPEN") button to enter characters in the name field.
4. Press "Iris -" ("CLOSE") once to exit character entry, then again to confirm the new name and return to the previous menu.
5. The "Name Display" section will change automatically to "ON" after naming the camera.
6. Press "Iris -" ("CLOSE") to return to the Display Options menu.

To disable the camera name, return to the menu and toggle the "Name Display" field to "OFF".

4.5. Control Options Menu Overview

- **DOME ADDR SETUP**
Allows the RS485 address to be changed electronically or set based on the dip switch positions. (Dip switch settings can be found in section "3.9. Dip Switch Configuration" on page 15.)
- **AUTO FLIP**
When enabled, the camera rotates 180 degrees when it reaches the tilt position threshold.
- **PROPORTIONAL SPD**
Causes the pan/tilt speed to slow as you zoom in, making it easier to set the view more accurately in a tight field of view. Turn on or off.
- **PAN REVERSE**
When turned ON, pan movements are reversed, so moving the controller in the LEFT direction causes the camera to move in the RIGHT direction.
- **TILT REVERSE**
When turned ON, tilt movements are reversed, so moving the controller in the UP direction causes the camera to move in the DOWN direction.
- **VECTORSCAN STILL**
Allows the user to setup scan based on scan speed, dwell time, and pre-shot (settable staring position).
- **AUTO FOCUS**
Keeps the camera focused on subjects in the camera's field-of-view. Turn on or off.
- **AUTO AE**
Set whether Automatic Exposure (AE) remains active when the dome device changes its pan or tilt or zoom.
- **PRESET AF**
Set whether the camera auto-focuses or not when vector scan is running.
- **-2 TILT LIMIT**
Turn ON to restrict camera movement beyond 0.0 degrees. When the setting is OFF the camera can tilt up to -2.0 degrees.
- **SPEED LIMIT**
Changes the pan speed from slow to fast. When set to ON, the pan speed is slow. When set to OFF, the pan speed is fast. The speed limit feature is very useful when operating the camera using a PTZ joystick.

4.5.1. Dome Address Setup Instructions

The RS485 address can be set physically or electronically. The physical dip switches on the camera assembly are ideal for initial setup, but the address may be changed in the software later if needed.

IMPORTANT! Changing the address of the camera may cause a loss of PTZ communication. If the address is changed to a different ID using the OSD menu, the address for the camera must also be changed in the PTZ controller.

1. Select "DOME ADDR SETUP" and press "Iris +" ("OPEN") to enter the sub-menu.
2. Set the "ADDR TYPE" field from "PHYSIC" (uses the dip switch settings) to "LOGIC" (use the menu setting).
3. Highlight the "DOME ID" field and press "Iris +" ("OPEN") to select the desired address. Press "Iris -" ("CLOSE") to save the new address.
4. Select whether the address is displayed on the camera view using the "BROADCAST ID" setting ("ON" or "OFF").
5. Press "Iris -" ("CLOSE") to close the sub-menu. The camera will save the new address and stop responding to commands at the old one.
6. Change the address of the camera in the PTZ controller to regain control. If needed, power the camera off and back on while viewing the video feed to see the new PTZ address in the boot up messages.

4.6. Camera Options (Main Setup)

- **SSDR**

Samsung Super Dynamic Range optimizes lighting in the scene for an evenly-lit scene. The user has options for:

- Adjusting the SSDR level; from 1 to 15
- Dynamic Range; WIDE or NARROW

Highlight and press "Iris +" ("OPEN") on the RETURN option to go back to the previous page.

- **WHITE BAL**

Adjust white balance settings. The user has options for:

- ATW (Auto Tracing White Balance)
- Manual; where RED and BLUE level may be adjusted from 1 to 1023
- AWC->SET (Auto White Balance Control)
- OUTDOOR
- INDOOR

- **BACKLIGHT**

Enable and configure backlight control or highlight control. The user has options for:

- BLC; which may be set to LOW, MIDDLE, or HIGH.
- HLC; which may be set to LOW, MIDDLE, or HIGH and Mask tone which may be adjusted from 1 to 15.

- **MOTION DET**

Enable and configure up to 8 motion detection areas so that colored squares highlight the areas when and where motion occurs. The user has options for:

- Motion detection sensitivity; which may be set to LOW or HIGH.
- Smart zoom; where the Start Zoom and Target Zoom may be adjusted from 1x to 12x for the WPS-500-PTZ-A and from 1x to 37x for the WPS-750-PTZ-A.
- Dwell time; which may be adjusted from 5 seconds to 60 seconds.

- **FOCUS**

Allows the user to set focus modes AUTO, MANUAL, or ONE-PUSH. The user has options for:

- ZOOM TRACK; which may be set to AUTOTRACK, TRACK, or OFF.
- ZOOM SPEED; which may be set to FAST, SLOW, or MEDIUM.
- D-ZOOM (Digital Zoom); which may be set up to 16x.
- ZOOM POS INIT (Initial zoom position); which may be set to OFF, AUTO, or MANUAL (POS INIT from 1x to 12x for the WPS-500-PTZ-A and from 1x to 37x for the WPS-750-PTZ-A).
- USER PRESET; which may be saved and cleared.
- LENS INIT (Lens initialization); which may be set to AUTO where the day of the week for lens initialization may be selected or manual where the lens initialization is done immediately.

- **EXPOSURE**

Enable and configure exposure settings. The user has options for:

- BRIGHTNESS; which may be adjusted from 1 to 100.
- IRIS; which may be set to Auto or Manual. In the Manual setting, the user may select the F-Stop number preferred.
- SHUTTER; which may be set to:
 - Manual; which may be adjusted from 512 to 1/120000.
 - A-FLK to help compensate for flicker. Flicker often happens when the frequency of the local light clashes with the camera module.
 - ESC (Electronic Still Camera) to automatically control the shutter speed.
- AGC; which may be set to OFF, LOW, MEDIUM, HIGH, Manual. In the Manual setting, the user may select the Automatic Gain Control level from 5 to 41dB.
- SSNR3; which may be adjusted from 1 to 32 on the WPS-500-PTZ-A or set to LOW, MEDIUM, or HIGH on the WPS-750-PTZ-A.
- SENS-UP; which may be set to OFF or Auto. In the Auto setting, the user may select the limit from 2x to 512x.

- **SPECIAL**

Allows the user to set extra camera features, the user has options for:

- DAY/NIGHT; which may be set to Auto, EXT, COLOR, or B/W. In the Auto setting, the user may select the dwell time from 5 to 60 seconds and the duration to SLOW or FAST. In the COLOR setting, the user may set the burst level. In the B/W setting, the user may select the burst mode.
- DIS (Digital Image Stabilization); which may be set to OFF or ON.
- Image Adj; where the user may set up H-REV (Horizontal Reverse) and V-REV (Vertical Reverse) as well as Sharpness from level 1 to 31.
- MONITOR; which may be set to CRT, LCD, or USER. In the CRT setting, the user may adjust the pedestal (PED) level to adjust the black level of the CRT from 0 to 70. The color level may be adjusted from level 1 to 100. In the LCD and USER setting, the user may adjust the gamma level from 0.2 to 1.0, the PED level and the color level.
- DISPLAY; where the user may set camera title, language, OSD color and motion alarm.

- **RESET**

Reset the Camera Options menu to default configuration. Highlight the option and press "Iris +" ("OPEN") to complete the reset.

- **EXIT**

Highlight and press "Iris +" ("OPEN") to return to the main setup menu.

4.7. Function Programming Menu Overview

- **PRESET**
Set up position coordinates with a number and name.
- **VECTOR SCAN**
Set up preset paths for the camera to track for monitoring wide fields-of-view.
- **PATTERN**
Set up to three patterns of movement to simulate manual operation. This can be used to set up paths of travel more complex than with vector scans.
- **SECTOR SETUP**
The sector feature allows assigned names to be displayed when the camera navigates through coordinates within the assigned sector. This is useful for naming areas of the field of view. Both span and tilt limits can be set.
- **MASK ZONE**
Mask areas of the camera field-of-view for privacy or security. (ONLY ACTIVE IN WPS-750-PTZ-A)
- **MASK COLOR**
Set the mask color in "MASK ZONE" between gray, green, red, blue, black, or white. (ONLY ACTIVE IN WPS-750-PTZ-A)
- **MOTION**
Set up park positioning, power on action, and limit operation to certain fields of view.

4.7.1. Preset Menu Overview

- **NUMBER**
Preset ID number.
- **SET PRESET**
Set new preset positions.
- **CALL PRESET**
Set the camera to a defined preset position.
- **DELETE PRESET**
Delete defined presets.
- **NAME** _____
Name a preset ID.
- **NAME DISPLAY**
Select whether the name (if set above) is displayed.

4.7.1.1. How to Add or Select a Preset ID

1. Press "Iris +" ("OPEN") to enter the "NUMBER" sub-menu.
2. Select an address from the list to be the ID of the new preset position. Use the joystick to select digits and press "Iris +" ("OPEN") to make the selection.
3. Press "Iris -" ("CLOSE") after selecting the number to return to the main preset menu.
4. Move the cursor down to the "SET PRESET" option and press "Iris +" ("OPEN"). A cross-hair will appear on the screen.
5. Use the PTZ joystick to position the camera on the desired field-of-view and then press "Iris +" ("OPEN") to save the location. "STORED" will flash on the screen when the setting is saved.

4.7.1.2. How to Call a Preset

1. Select a preset ID to call in the "NUMBER" menu.
2. Select "CALL PRESET" and press "Iris +" ("OPEN"). The camera will move to aim at the preset coordinates.

4.7.1.3. How to Delete Presets

1. Select a preset ID for deletion in the "NUMBER" menu.
2. Select "DELETE PRESET" and press "Iris +" ("OPEN") to delete the entry.

4.7.1.4. Naming Presets

1. Select a preset ID to name.
2. Press "Iris +" ("OPEN") to enter the "NAME" setup menu.
3. Use the joystick to select characters and the "Iris +" ("OPEN") button to enter characters in the name field.
4. Press "Iris -" ("CLOSE") once to exit character entry, then again to confirm the new name and return to the previous menu.
5. The "NAME DISPLAY" section will change automatically to "ON" after naming the camera.
6. Press "Iris -" ("CLOSE") to return to the Display Options menu.

To disable the camera name, return to the menu and toggle the "NAME DISPLAY" field to "OFF".

4.7.2. Vector Scan Menu Overview

- **NUMBER**
Use the PTZ joystick to scroll left or right to select vector scan ID 1-6.
- **PROGRAM A VECTOR SCAN**
Set a pattern of movements for the vector scan ID selected.
- **RUN A VECTOR SCAN**
Run the selected vector scan.
- **DELETE A VECTOR SCAN**
Delete the selected vector scan.

4.7.2.1. Setting up a Vector Scan

1. Select the vector scan ID for setup.
2. Scroll to "PROGRAM A VECTOR SCAN" and press "Iris +" ("OPEN") to enter the menu.
3. In the menu, each row is used to set up one position for the camera to stop at in the vector scan program:
 - **NAME:** Press "Iris +" ("OPEN") to toggle between options Pr (Preset Position), Vs (Vector Scan), or Pt (PTZ Tour). The option selected indicates the source for positioning coordinates.
 - **NUM:** Press "Iris +" ("OPEN") to set the ID number for the selection desired. Example, if "NAME" is set to "Pr", then the field will select the PTZ preset position ID.
 - **SP:** Press "Iris +" ("OPEN") to select the camera PTZ speed for panning to the selected coordinates.
 - **DWELL:** Press "Iris +" ("OPEN") to enter the setting. Enter the number of seconds to leave the camera set at the selected coordinates.
4. Press "Iris -" ("CLOSE") to return to the "VECTOR SCAN" menu.

4.7.2.2. Running a Vector Scan

1. Select the desired vector scan ID.
2. Scroll to "RUN A VECTOR SCAN" and press "Iris +" ("OPEN") to begin the selected vector scan.
3. Move the PTZ joystick left to exit the program and return to the menu.

4.7.2.3. Deleting a Vector Scan

1. Select the vector scan ID for deletion.
2. Scroll to "DELETE A VECTOR SCAN" and press "Iris +" ("OPEN") to delete the entry.

4.7.3. Pattern Menu Overview

- **NUMBER**
Use the PTZ joystick to scroll left or right to select pattern ID 1, 2, or 3.
- **PROGRAM A PATTERN**
Set a pattern of movements for the vector scan ID selected.
- **RUN A PATTERN**
Run the selected vector scan.
- **DELETE A PATTERN**
Delete the selected vector scan.
- **NAME _____**
Name a pattern ID.
- **NAME DISPLAY**
Select whether the name (if set above) is displayed.

4.7.3.1. Setting up a Pattern

1. Select the pattern ID for setup.
2. Scroll to "PROGRAM A PATTERN" and press "Iris +" ("OPEN") to begin.
3. To make the pattern, move the camera and zoom in or out as desired.
4. Press "Iris -" ("CLOSE") to save the pattern and return to the "PATTERN" menu.

4.7.3.2. Running a Pattern

1. Select the desired pattern ID.
2. Scroll to "RUN A PATTERN" and press "Iris +" ("OPEN") to begin the selected program.
3. Move the PTZ joystick left to exit the program and return to the menu.

4.7.3.3. Deleting a Pattern

1. Select the pattern ID for deletion.
2. Scroll to "DELETE A PATTERN" and press "Iris +" ("OPEN") to delete the entry.

4.7.3.4. Naming a Pattern

1. Select a preset ID to name.
2. Press "Iris +" ("OPEN") to enter the "NAME" setup menu.
3. Use the joystick to select characters and the "Iris +" ("OPEN") button to enter characters in the name field.
4. Press "Iris -" ("CLOSE") once to exit character entry, then again to confirm the new name and return to the previous menu.
5. Toggle the name on and off by selecting "NAME DISPLAY" and pushing the PTZ joystick left or right.

4.7.4. Sector Setup Menu Overview

- **NUMBER**
Select the sector for naming from 1-8.
- **PAN START POS**
Select the first pan limit position for the sector.
- **PAN END POS**
Select the second pan limit position for the sector.
- **TILT START POS**
Select the first tilt limit position for the sector.
- **TILT END POS**
Select the second tilt limit position for the sector.
- **NAME _____**
Assign a name for the sector.
- **NAME DISPLAY**
Select whether the name (if set above) is displayed.

4.7.4.1. Sector Setup and Naming Instructions

Example case: Name sector "Courtyard" when the camera is aiming into the courtyard area.

1. Scroll to and then press right on the PTZ joystick to enter the "SECTOR SETUP" menu:
2. Press "Iris +" ("OPEN") to select the sector ID for setup.
3. Select a "PAN START POS". Move the PTZ joystick left and right or press "Iris+" to enter the setting. Move the camera position to the left-most side of the courtyard. Press "Iris +" ("OPEN") to save the setting.
4. Repeat for "PAN END POS". Set the endpoint with the camera pointing at the right most side of the courtyard.
5. Repeat for tilt start and end points. Save with the camera pointed at the highest and lowest points of the courtyard.
6. Scroll to "NAME" and press "Iris +" ("OPEN") to enter the menu.
7. Use the joystick to select characters and the "Iris +" ("OPEN") button to enter characters in the name field.
8. Press "Iris -" ("CLOSE") once to exit character entry, then again to confirm the new name and return to the previous menu.
9. Toggle the name on and off by selecting "NAME DISPLAY" and pushing the PTZ joystick left or right.

4.7.5. Mask Zone and Mask Color Menu Overview (ONLY ACTIVE IN WPS-750-PTZ-A)

- **NUMBER**
Select the masking ID to set up from 1-8.
- **MASK EDIT**
Enter the menu to set up limits for mask areas.
- **MASK DISPLAY**
Move the PTZ joystick left or right to toggle masks on and off.
- **MASK COLOR**
Set the color of the mask area set in "MASK ZONE" between gray, green, red, blue, black, or white.

4.7.5.1. Mask Zone Setup Instructions

1. Scroll to and then press right on the PTZ joystick to enter the "MASK ZONE" menu:
2. Press left or right on the PTZ joystick to select the mask ID for setup.
3. Scroll down to "MASK EDIT" and press right on the PTZ joystick to enter the menu.
4. Move and scale the mask block:
 - Use the PTZ joystick to move the box left, right, up, and down.
 - Press "Focus +/-" to adjust the width.
 - Press "Zoom +/-" to adjust the height.
5. Press "Iris -" ("CLOSE") to save and exit to the "MASK ZONE" menu.
6. To set up complex or multiple mask shapes, use multiple MASK ZONE IDs to make additional squares.

4.7.6. Motion Menu Overview

- **PARK ACTION**

This feature resets the camera to an assigned preset position or movement pattern when the camera does not receive commands for a set amount of time.

- **POWER ON ACTION**

This feature sets the camera to an assigned preset position or movement pattern when the camera is powered on.

- **LIMIT OPERATION**

Use this menu to restrict the camera range of motion to a defined area. Affects Pan movement only.

4.7.6.1. Park Action Setup Instructions

1. Scroll to and then press right on the PTZ joystick to enter the "PARK ACTION" menu.
2. Set up the desired park action:
 - **ACTION:** Press left or right on the PTZ joystick to select the desired action type from preset, vector scan, pattern, pan scan, or auto scan.
 - **NUMBER:** Press left or right on the PTZ joystick to set the ID of the action type selected above.
 - **PARK TIME:** Press left or right on the PTZ joystick to set the amount of time to wait after receiving commands before the camera returns to Park mode.
3. Press "Iris -" ("CLOSE") to save settings and return to the previous menu.

4.7.6.2. Power On Action Setup Instructions

1. Scroll to and then press right on the PTZ joystick to enter the "POWER ON ACTION" menu.
2. Set up the desired powered on action:
 - **ACTION:** Press left or right on the PTZ joystick to select the desired action type from action type from preset, vector scan, pattern, pan scan, or auto scan.
 - **NUMBER:** Press left or right on the PTZ joystick to set the ID of the action type selected above.
3. Press "Iris -" ("CLOSE") to save settings and return to the previous menu.

4.7.6.3. Limit Operation Setup Instructions

1. Scroll to and then press right on the PTZ joystick to enter the "LIMIT OPERATION" menu.
2. Set up the desired limits:
 - **START POSITION:** Press left on the PTZ joystick to enter the menu, then use the PTZ joystick to select the Pan start position. Press "Iris +" ("OPEN") to save the setting. Tilt setting is not recorded.
 - **END POSITION:** Press left on the PTZ joystick to enter the menu, then use the PTZ joystick to select the Pan end position. Press "Iris +" ("OPEN") to save the setting. Tilt setting is not recorded.
 - **DIRECTION:** Press left or right on the PTZ joystick to set limits to "LEFT" or "RIGHT". This determines whether the motion is limited to one side of the limits or the other.
 - **OPERATION:** Press left or right on the PTZ joystick to turn the feature "ON" or "OFF".
3. Press "Iris -" ("CLOSE") to save settings and return to the previous menu.

4.8. System Setup Menu Overview

- **CLEAR MEMORY**
Clear all programmed settings for positioning or automatic movement. Other settings will not change.
- **RESTORE DEF SETTING**
Returns all settings to factory default. PTZ ID will revert to the dip switch setting.
- **COLOR SYSTEM**
Select the color system output from "NTSC" or "PAL".
- **DOME RESTART**
Press left or right on the PTZ joystick to reboot the camera.
- **IR MODULE SETUP (ONLY ACTIVE IN WPS-750-PTZ-A)**
Configure IR illumination settings.

4.8.1. Clear Memory Instructions

1. Use the PTZ joystick to scroll to the "CLEAR MEMORY" setting and press "Iris+" to enter the menu.
2. Press "Iris +" ("OPEN") again when prompted, or "Iris-" to cancel and return to the previous menu.

4.8.2. Restore Default Settings Instructions

1. Use the PTZ joystick to scroll to the "RESTORE DEF SETTING" setting and press "Iris+" to enter the menu.
2. Press "Iris +" ("OPEN") again when prompted, or "Iris-" to cancel and return to the previous menu.

4.8.3. Dome Restart Instructions (Reboot)

1. Use the PTZ joystick to scroll to the "DOME RESET" setting.
2. Press "Iris+" to reboot the camera. No settings will be modified.

4.8.4. IR Module Setup Instructions (ONLY ACTIVE IN WPS-750-PTZ-A)

1. Scroll to and then press right on the PTZ joystick to enter the "IR MODULE SETUP" menu:
2. Configure each setting as desired:
 - **IR CONTROL:** Press left or right on the PTZ joystick to select the IR mode from:
 - AUTO: The camera will turn IR on and off as needed based on the detected light level.
 - ON: IR illumination will remain on at all times.
 - OFF: IR illumination is disabled.
 - **IR SW DELAY:** Press left or right on the PTZ joystick to select the time the camera will wait to turn IR on or off when set to AUTO mode. Select from 5, 10, 15, 30, or 45 seconds.
3. Press "Iris -" ("CLOSE") to save settings and return to the previous menu.

5. Short-cut Operations and Specifications

The preset positions below have been programmed with specific functions. These commands can be used to configure camera control options by assigning the numbers to shortcut keys in a PTZ controller or entering them manually.

Preset #	Function	Call Preset	Save Preset
51	Pan-Tilt Control	Record line-scanning speed	Run cruise track
52		Start line-scanning	Set line-scanning starting point
53		-	Set line-scanning ending point
54	Camera Power*	On	Off
55	Background light compensation*	On	Off
56	Day/Night*	Auto	Color
57	Camera related OSD*	Camera menu On\Off	Camera function OSD On\Off
58	Digital zoom*	On	Off
59	Focus*	Auto	Manual
60	Iris*	Auto	Manual
61	White balance*	Auto	Manual
62		Indoor	Outdoor
63		ATW	One-push WB
79	Set line-scanning mode	Long distance	Short distance
80	Run pattern	Run pattern 1	
81		Run pattern 2	
82		Run pattern 3	
83	Run vector	Run vector scan 1	
84		Run vector scan 2	
85		Run vector scan 3	
86	Run vector	Run vector scan 4	
87		Run vector scan 5	
88		Run vector scan 6	
89	Picture freeze*	On	Off
91	Dynamic preset point	Call dynamic preset point	
94	Dome reset		Reset dome
95	Main menu	Call main menu	
96	Set the auto flip	On	Off
101	Pan continuous scanning	On	

5.1. How To Use Shortcut Codes

- Enter the desired preset number into the PTZ controller, then **call** or **save** to execute the command. Example:
 - To change "White Balance" mode from "INDOOR" to "OUTDOOR", enter preset number "62" and **save** the preset.
 - To change the setting back to "INDOOR", enter preset number "62" and **call** the preset.

5.1.1. Preset and Shortcut Notes

- Shortcut preset points (51-63 and 79-101) may only be used for the functions listed in the shortcuts table.
- Preset position numbers 1-50, 64-78, and 102-165 may be used to set preset call positions (128 available in total).
- Cruise Track (Preset 51):** When preset "51" is **saved**, the camera will auto-scan point by point from preset position "1" to "16" (if they are assigned), pausing for 2 seconds at each position. If no presets are assigned, the camera will not track.
- Line Scanning (Presets 51-53):** The camera will scan between two specified points. Set the start and end point by positioning the camera as desired and **saving** presets "52" and "53".
 - Line scanning speed may be set by moving the camera for at least three seconds, then **calling** preset "51".
 - Provided the start and end points have been set, **calling** preset "52" starts the line scanning from the start point to the end point.
- Pan Continuous Scanning (Preset 101):** Move the camera at the desired speed for at least 3 seconds, then **call** preset "101" to begin panning at the speed and in the direction that the camera view was moved.

6. Troubleshooting

If you have trouble operating the camera, first refer to the following guidelines. If the problem persists, contact our Technical Support line at (866) 838-5052.

Nothing appears on the display

- Check if the power for the camera and the monitor is ON.
- Check if the VIDEO cable is connected to the camera BNC video output jack.
- Check if the VIDEO cable is connected to the monitor VIDEO input jack.

Image appears dim on the display

- Check the monitor contrast setting.
- Check the monitor brightness setting.
- Check the lens. If necessary, clean with a soft, clean eyeglasses cloth.

Image appears blurry on the display

- Check the lens. If necessary, clean with a soft, clean eyeglasses cloth.

The camera is not working properly and the camera housing is hot, or power cycles intermittently

- Check if camera is connected to the correct power source.
- Check voltage at camera for proper voltage level.
- Connect camera locally with a different power supply to test.

The camera does not boot up when power is applied

- Check the power outlet or power supply to see if it is not connected correctly or not working.
- Check the power supply to be sure it is outputting 24V AC when plugged in.

After powering up, the camera doesn't respond to PTZ commands

- Make sure the PTZ ID, protocol, and baud rate are set correctly in both the camera and PTZ controller.
- Check the polarity of the RS485 wires. If "+" and "-" wires are reversed, RS485 won't work.

WPS-500-PTZ-A has a yellow line in video

- Open camera dome and check that the Yellow tab is removed from the Lens.

WPS-500-PTZ-A camera shakes after a restart

- It is normal for the camera to shake after a reset because the TILT function resets as well.

7. Specifications

		WPS-500-PTZ-A-WH	WPS-750-PTZ-A-WH
PAN/TILT	Address	0~255	
	Pan range	360°Continue	
	Tilt range	0°~90° Flip	
	Manual Speed Pan	0.05~300°/Sec	0.1~150°/Sec
	Manual Speed Tilt	0.05~150°/Sec	0.1~55°/Sec
	Preset Speed	400°/Sec	240°/Sec
	Preset Accuracy	≤ 0.3°	
	Preset Points	128 Points	
	Operation Menu	Multi-Language	
	Function Display	Yes	
	Crosshair Function	Yes	
	Pan/Tilt Position Display	Yes	
	Privacy (Masking)	N/A	8 Programmable Zones
	Sector Labeling	8 Programmable Zones	
	PTZ Tours (Pattern)	3 Programmable (Pan/Tilt/Zoom and each pattern is 8 minutes)	
	Recall Function	Yes	
	Dynamic Preset	Yes	
	Vector Scan	6 Programmable (Dwell time, speed, preset point and embed other vector scan or PTZ tours)	
	Control Protocols	Pelco_D/P	
	Auto Scan	with Smart Programmable variable speed	
	3-Dimensional Scan	Yes	
	Long-Focus Speed-Limit	Yes	
	Power Off Memory	Yes	
Home Position	Yes		
Manual Operation	Yes		
Infrared	IR Distance	N/A	350 Feet
	Wavelength	N/A	850nm
Video	Camera Module	Samsung	
	Output	Composite (CVBS)	
General	IP66 Outdoor Use	Yes	
	Operating Temperature	-22°-122° F	-40°-122° F
	Humidity	0%~98% (Non condensing)	
	Heater Operation	43° F On; 57° F Off	
	Power	24V AC 3A 60Hz/50Hz	
	Consumption	4-20 W @ 24V AC	24.2W @ 24V AC
	Communication	RS485 (+/-)	

8. Contacting Technical Support

Phone: 866.838.5052

Email: TechSupport@SnapAV.com

9. 3-Year Limited Warranty

This Camera has a 3-Year Limited Warranty. The warranty includes parts and labor repairs on all components found to be defective in material or workmanship under normal conditions of use. This warranty shall not apply to products that have been abused, modified, disassembled, or improperly installed. Products to be repaired under this warranty must be returned to Wirepath™ Surveillance or a designated service center with prior notification and an assigned return authorization (RA) number.

W I R E P A T H
SURVEILLANCE

© 2015 Wirepath™ Surveillance

150309-1200