

WPS-MNT-ARM-DOM-WH Dome Camera Arm Mount

Introduction

Wirepath™ Surveillance camera mounts have been designed to simplify installation and overcome the complexity of concealing connections when installing Wirepath™ Surveillance cameras. Each mount fits a variety of interior and exterior junction box sizes providing flexibility during installation.

- Single
- Double
- 4" Square

Installation Guidelines

Mounting

When mounting to a junction box, we recommend the use of metal junction boxes, doing so will provide the most secure installation.

Weatherproofing

While grommets and gaskets are provided to help block out moisture, we recommend that the installation is completed with silicone on external connections and mount to junction box mating surfaces. This will help ensure that moisture will not enter the wall.

Parts Included

Exploded View

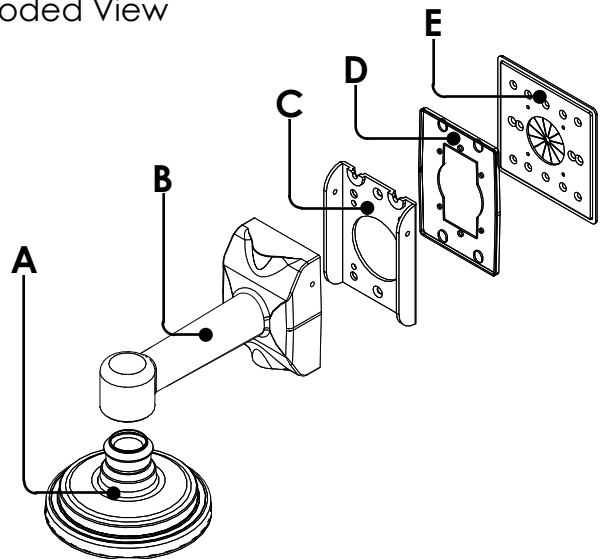
- A. (1) Camera Mount
- B. (1) Extension Arm
- C. (1) Arm Bracket
- D. (1) Arm Bracket Gasket
- E. (1) Wall Plate Adapter

Make note of this diagram and letters as they are used later in this document.

Not Shown

- F. (4) #8-32x1/2" - Round Head Philips
- G. (2) #6-32x3/4"L - Flat Head Philips
- H. (2) #8-32x3/4"L - Flat Head Philips
- I. (4) M4 Tab Fasteners
- J. (4) ST6x40L - Round Head Philips
- K. (2) M4x10L - Round Head Philips
- L. (3) M4x25L - Round Head Philips with Rubber Washers
- M. (2) M4x10L - Round Head Philips
- N. (1) Manual

Exploded View



Installation



Important Note: To avoid damaging the dome surface during installation, keep the dome surface away from walls and other objects. Do not remove the protective coating from the dome until after the camera is mounted and the dome installed.

Microfiber or similar cloths can be abrasive, only use a dry eyeglasses cloth when cleaning the lens to avoid damage that can blur the cameras image.

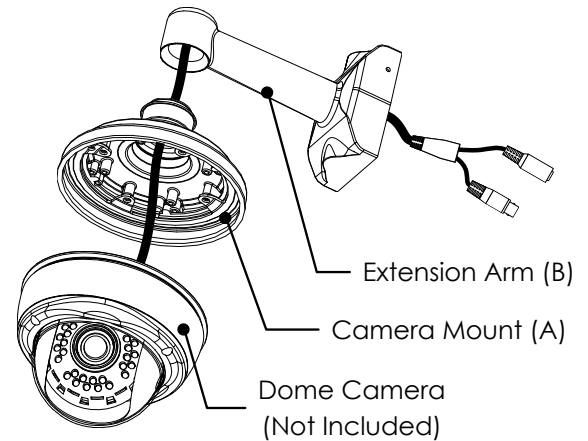
1. Install the Camera Pigtail into the Mount and Arm

- A. Unscrew the Camera Mount (A) from the Extension Arm (B). Set the Extension arm to the side.
- B. Insert the Pigtail from the camera through the center wire hole in the Camera Mount (A) and through the front of the Extension Arm (B) pulling out of the rear of the Extension Arm (B).

Tip: Placing the BNC Video Out in first makes the process quick

- C. Secure the Camera Mount (A) to the Extension Arm (B); ensure that it is fully tightened to seal the attached gasket avoiding any moisture from entering the camera mount.

Figure 1

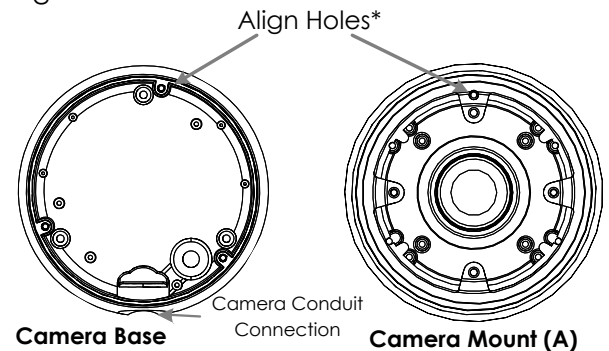


2. Attach the Camera to the Mount

- A. Remove the dome cover from the Camera Base using the 3mm Allan key supplied with the camera. Avoid contact of the dome with surfaces in order to avoid scratching the dome material.
- B. Place the Camera Base on the Camera Mount (A) orientated as shown in Figure 2. Note the location of the alignment hole in the outer ring of the base; this is used as a guide for lining up the camera mounting holes.

Tip: Inserting a mounting screw into the Camera Base and then into the Camera Mount speeds up the alignment process.

Figure 2



*Note orientation of Camera Base and Camera Mounting Plate. Identified holes must line up.

- C. Secure the Camera Base to the Camera Mount using all 3 provided M4x25L - Round Head Philips (L) screws with rubber washers.

Note: To avoid moisture from entering the camera; ensure that the rubber grommets are on the screws during installation

- D. Loosely re-attach the dome cover onto the Camera base. Note that you will need to remove the dome cover later to setup the camera once it is fully mounted. The assembly is now ready to be mounted to the wall.

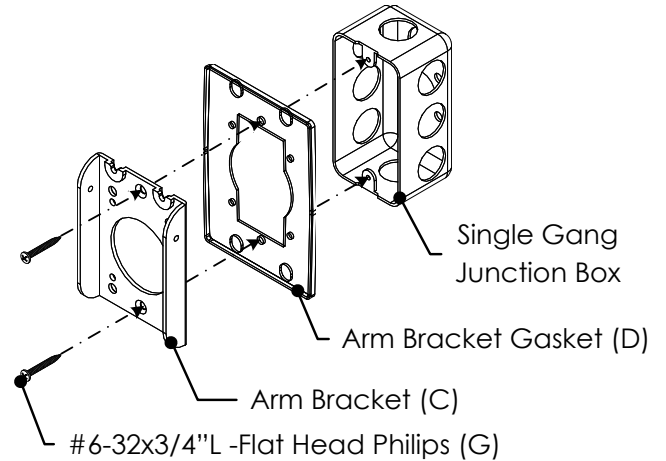
3. Attach the Arm Bracket to the Wall

A. Attach Without Wall Plate Adapter

Note: While a Single Gang box is shown, the Arm Bracket can also be mounted directly to a Wall.

- A.1** - With the box open, pull the wires from the wall through the Arm Bracket Gasket (D) and the Arm Bracket (C).
- A.2** - Align the mounting holes on the junction box with the top and bottom mounting holes of the bracket.
- A.3** - Secure the Bracket and Gasket to the Junction Box using the 2 #6-32x3/4" L - Flat Head Philips (G) screws,
- A.4** - Proceed to Step 4.

Figure 3



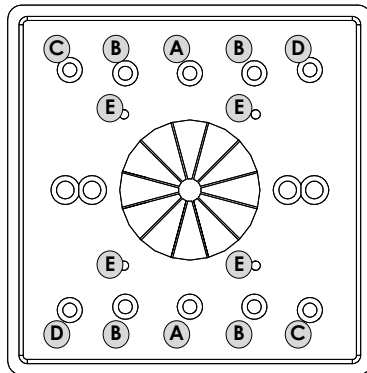
B. Attach With Wall Plate Adapter

Plate Mounting Holes

The Wall Plate Adapter included with the mount is designed to fit a variety of junction box sizes.

- Single
- Double
- 4" Square

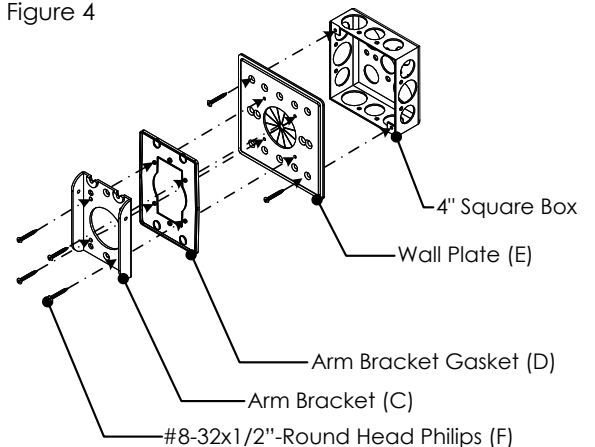
The diagram below identifies which holes to use when mounting to the various plates.



- A.** Single Gang
- B.** Double Gang
- C.** 4" Square
- D.** 4" Square (If 4" Square Box is rotated)
- E.** Arm Bracket

- B.1** - With the box open, pull the Pigtail for the camera through the Wall Plate Adapter (E), Arm Bracket Gasket (D), and the Arm Bracket (C).
- B.2** - Align the Wall Plate Adapter € mounting holes with the holes on the Junction Box and secure to the junction box using the supplied screws. Note that the screws are different depending on the junction box.
- B.3** - Secure the Bracket and Gasket to the Wall Plate Adapter (E) using the 2 #8-32x1/2" - Round Head Philips (F) screws.
- B.4** - Proceed to Step 4.

Figure 4



4. Attach the Extension Arm / Camera Assembly to the Wall

- A. Insert the 2 M4x10L - Round Head Philips (M) in to the rear of the Extension Arm (B) and tighten leaving space for the bracket. (Figure 5)
- B. With the wires hanging out of the wall and the end of the Extension Arm, gently slide the Extension Arm down over the bracket. This will leave the wires exposed for connection.(Figure 6)
- C. Connect the wires from the wall to the Cameras Pigtail.
- D. Tuck the wires into the junction box or the end of the Extension Arm.
- E. Secure the Extension Arm to the bracket with the provided set screws. (Figure 7)

Figure 5

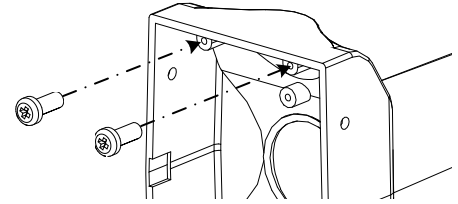


Figure 6

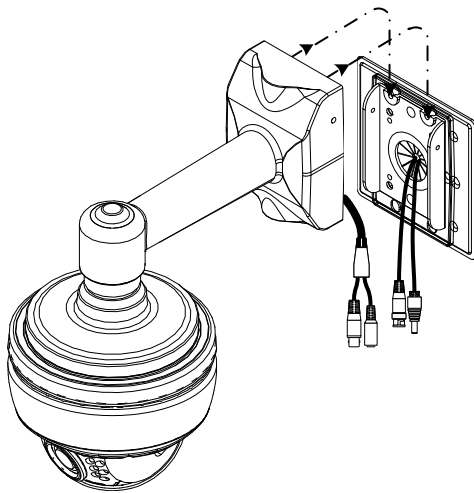
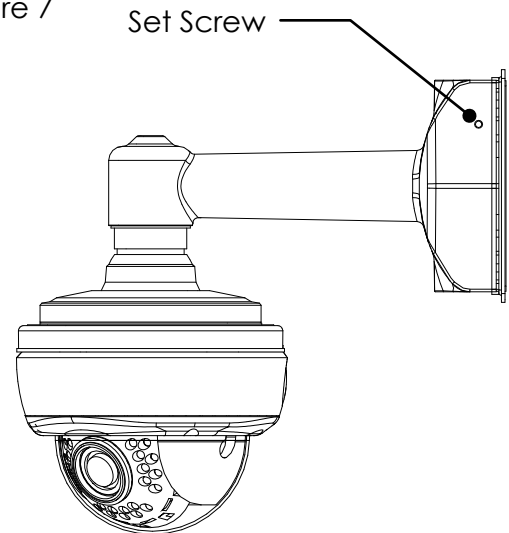


Figure 7



5. Finalize the Installation (outdoor cameras)

For outdoor installations, we recommend adding a bead of silicone around the edges of the mount. This will help ensure that moisture will not enter the wall.

6. Setup the Camera

Now that the camera is mounted, it can be setup for angle, zoom, and focus. Follow the instructions in the manual for the Wirepath™ Surveillance camera that has been installed.

Contacting Technical Support

Phone: (866) 838-5052

Email: Techsupport@snapav.com