

WPS-MNT-EXT-DOM Dome Camera Extension Mount

Introduction

Designed to simplify installation and overcome complexity of where to terminate connections, this mount will fit a variety of metal junction boxes both interior and exterior weatherized boxes:

- Single
- Double
- 4" Octagon
- 4" Octagon
- 3-4" Ceiling Fan Box
- 3/4" Conduit (Interior Only Locations)

Installation Guidelines

Mounting

When mounting to a junction box, we recommend the use of metal boxes, doing so will provide the most secure installation.

Weatherproofing

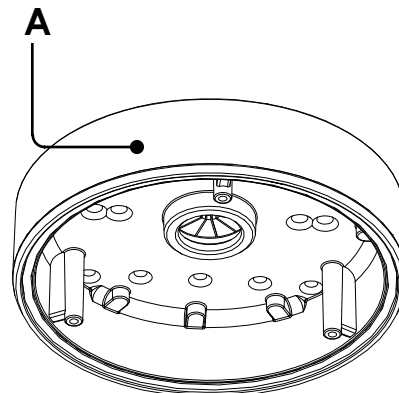
While grommets and gaskets are provided to help block out moisture, we recommend that the installation is completed with silicone on external connections and mount to junction box mating surfaces. This will help ensure that moisture will not enter the wall.

Parts Included

A. (1) Dome Extension Mount

Not Shown

- B. (2) #6-32x3/4"L - Flat Head Philips
C. (2) #8-32x3/4"L - Flat Head Philips
D. (3) M4x25L - Round Head Philips with rubber washers
E. (1) Manual



Installation



Important Note: To avoid damaging the dome surface during installation, keep the dome surface away from walls and other objects. Do not remove the protective coating from the dome until after the camera is mounted and the dome installed.

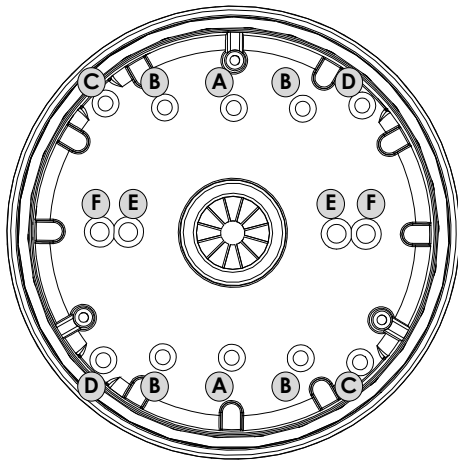
Microfiber or similar cloths can be abrasive, only use a dry eyeglasses cloth when cleaning the lens to avoid damage that can blur the cameras image.

1. Attach the Extension Mount

Junction Box Mounting

Plate Mounting Holes

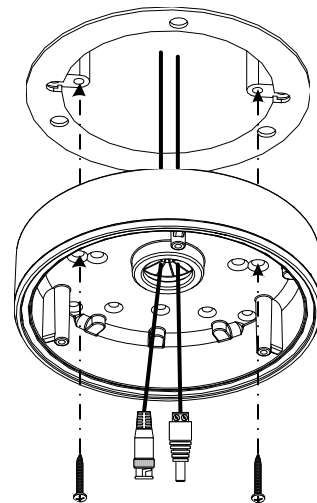
The Extension Mount is designed to fit a variety of junction box sizes. See the diagram below for the various junction box sizes.



- A. Single Gang
- B. Double Gang
- C. 4" Square
- D. 4" Square if (4" Square Box is rotated)
- E. 3" Octagon
- F. 4" Octagon / Ceiling Fan

- A. Run the wires from the installation position through the center hole in the Extension Mount.
- B. Secure the extension mount to the junction box or eve using the appropriate screw locations. See Plate Mounting Holes for details on the various locations available.

Figure 1



Conduit Mounting (3/4")

The WPS-MNT-EXT-DOM can also be used for commercial installations where mounting to the end of threaded conduit is desired. This type of installation is for indoor use only, do not use this method for outdoor cameras.

- A. Using a utility knife, remove the center part of the gasket located on the rear of the Extension Mount. This allow for easy installation of the conduit into the mount. (Figure 2)
- B. Run the wires from the Conduit through the center hole in the Extension Mount. (Figure 3)
- C. Secure the Mount to the conduit by rotating clockwise.

Figure 2

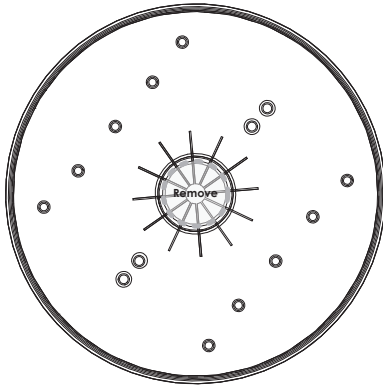
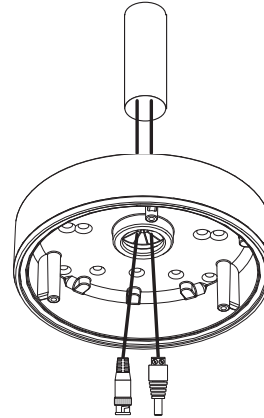


Figure 3



2. Attach the Camera to the Mount

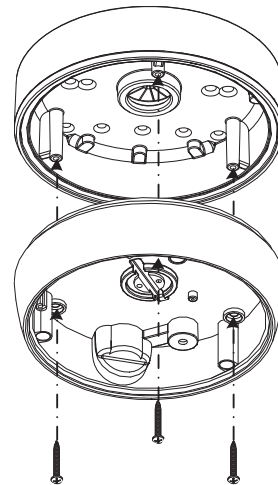
- A. Remove the dome from the Camera Base using the 3mm Allan key supplied with the camera. Avoid contact of the dome with surfaces in order to avoid scratching the material.
- B. Connect the wires from the junction box or conduit to the Cameras wires.
- C. Align the mounting holes in the camera base with the with the camera screw locations.

Tip: Inserting a mounting screw into the Camera Base and then into the Dome Extension Mount speeds up the alignment process.

Note: To avoid moisture from entering the camera; ensure that the rubber grommets are on the screws during installation.

- D. Secure the Camera Base to the Dome Extension Mount (A) using all 3 provided M4x25L - Round Head Philips (D) screws with rubber washers.
- E. Loosely re-attach the dome cover onto the Camera base. Note that you will need to remove the dome cover later to setup the camera once it is fully mounted.

Figure 4



Note: Internal camera components removed for demo purposes. DO NOT disassemble the camera.

5. Finalize the Installation (outdoor cameras)

For outdoor installations, we recommend adding a bead of silicone around the edges of the mount. This will help ensure that moisture will not enter the wall.

6. Setup the Camera

Now that the camera is mounted, it can be setup for angle, zoom, and focus. Follow the instructions in the manual for the Wirepath™ Surveillance camera that has been installed.

Contacting Technical Support

Phone: (866) 838-5052

Email: Techsupport@snapav.com