

## WPS-MNT-FLUSH-BUL Bullet Camera Flush Mount

### Introduction

Designed to simplify installation and overcome complexity of where to terminate connections, this mount will fit an interior or exterior weatherized Single Gang metal junction box:

- Single Gang

### Installation Guidelines

#### Mounting

When mounting to a junction box, we recommend the use of metal junction boxes, doing so will provide the most secure installation.

#### Weatherproofing

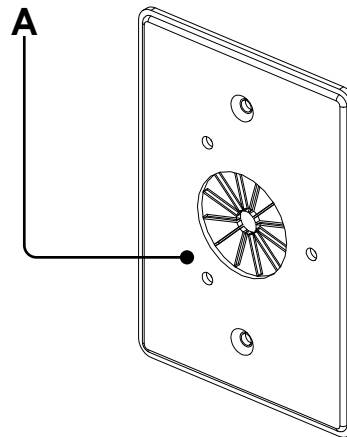
While grommets and gaskets are provided to help block out moisture, we recommend that the installation is completed with silicone on external connections and mount to junction box mating surfaces. This will help ensure that moisture will not enter the wall.

### Parts Included

- A. (1) Wall Plate Adapter

#### Not Shown

- B. (2) #6-32x3/4" - Round Head Philips  
C. (2) #10-32 x3/8" - Round Head Philips  
D. (2) #10-32x5/8" - Round Head Philips  
E. (1) Manual



## Installation

### 1. Attach the Wall Plate Adapter

- A. Run the wires from the installation position through the center hole in the Wall Plate Adapter (A).
- B. Secure the Wall Plate Adapter (A) to the junction box.

### 2. Attach the Camera to the Wall Plate Adapter

- A. Connect the wires from the wall to the Cameras Pigtail and insert them into the junction box.
- B. Secure the camera base to the Wall Plate Adapter (A) using the supplied #10-32x5/8" screws.

**Note:** Some junction boxes may interfere with the mounting locations for the camera base, use the shorter #10-32 x3/8" if the longer screws cannot be fully tightened.

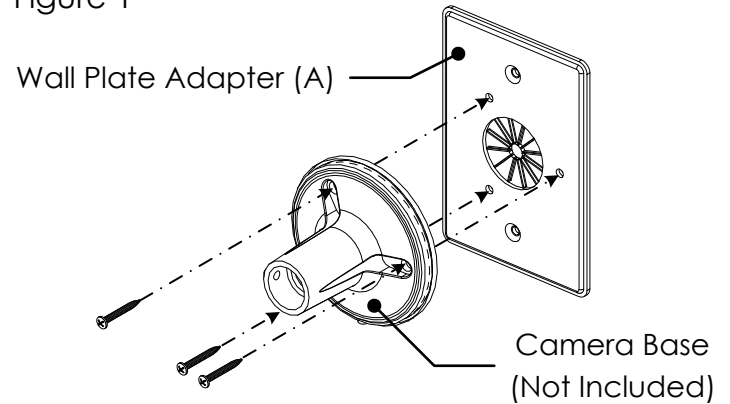
### 3. Finalize the Installation (outdoor cameras)

For outdoor installations, we recommend adding a bead of silicone around the edges of the mount. This will help ensure that moisture will not enter the wall.

### 4. Setup the Camera

Now that the camera is mounted, it can be setup for angle, zoom, and focus. Follow the instructions in the manual for the Wirepath™ Surveillance camera that has been installed.

Figure 1



Note: Camera removed from base for demo purposes. DO NOT disassemble the camera.

## Contacting Technical Support

Phone: (866) 838-5052

Email: Techsupport@snapav.com