

WPS-MNT-JNT-WH

Junction Box Mount for WPS-500-PTZ-A & WPS-750-PTZ-A Cameras

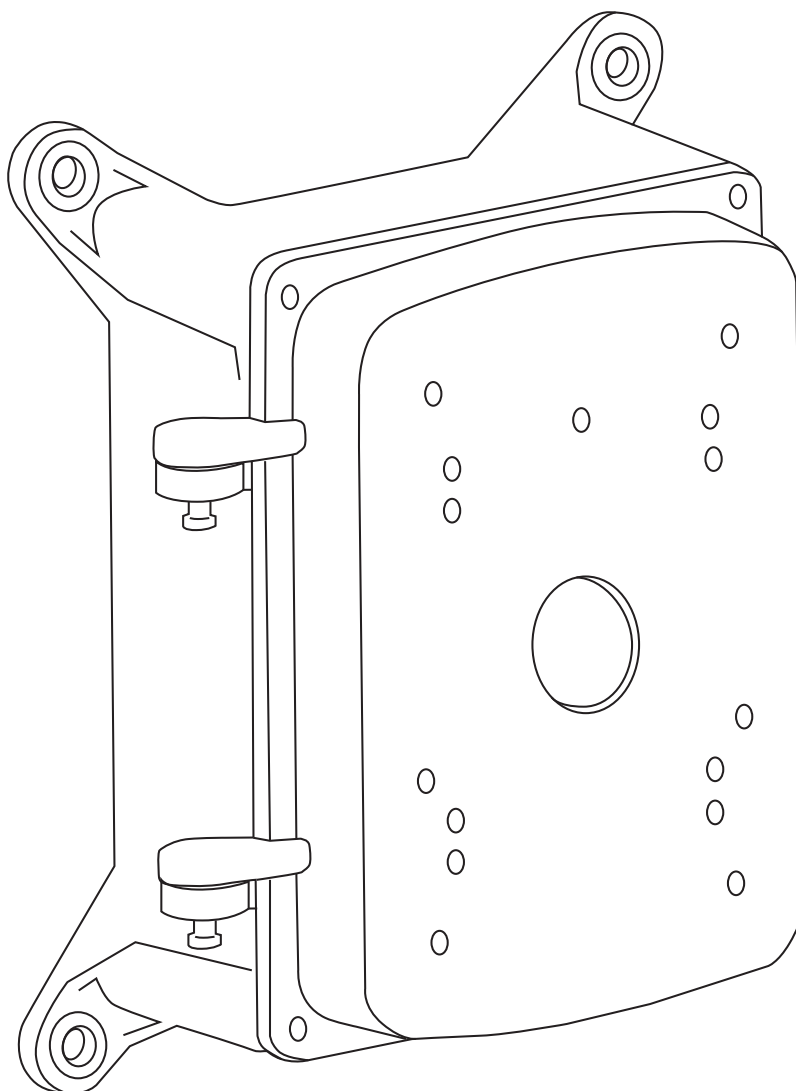
Thank you for purchasing a Wirepath™ Surveillance accessory. This junction box will allow you to install a Wirepath WPS-500-PTZ-A or WPS-750-PTZ-A Analog PTZ camera on surfaces where the wiring may not be routed from behind the camera.

Mounting and Use Guidelines

- The junction box should be installed so that the back edge is flush with the wall and will not wobble after being secured.
- Be sure the junction box mount surface can easily support the weight of the junction box and camera assembly
- Instructions for using this accessory may be found in the manual included with the Wirepath PTZ camera.

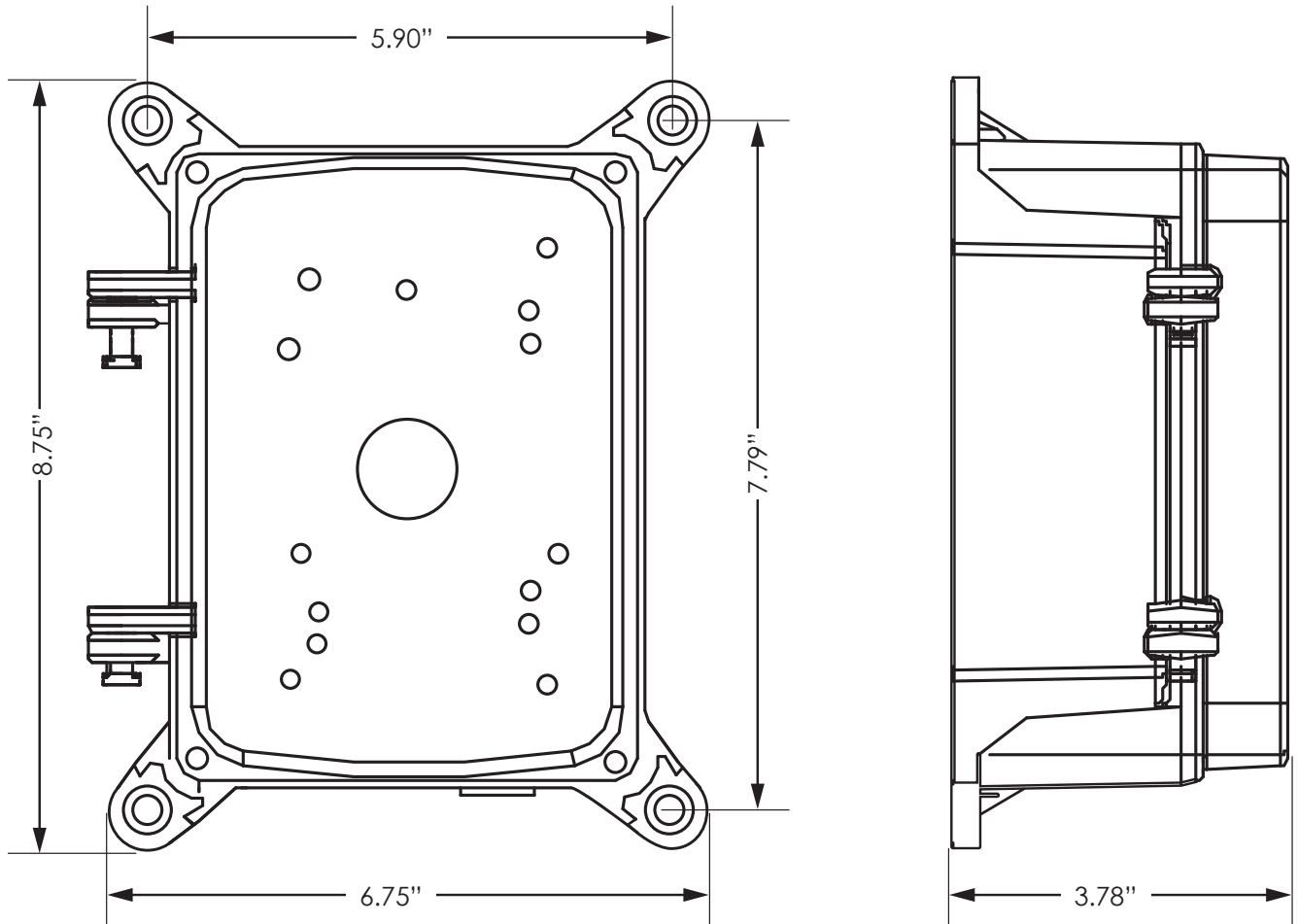
Package Contents

- Wall Mounting Hardware (5 each, 1 spare):
 - Screws PA5~5.5
 - Washers
 - Masonry Anchors
- Door Hardware (5 each, 1 spare):
 - M6x18 Hex Screws
 - Lock Washers
 - Flat Washers
- Junction Box
- 5mm Allen Key



Junction Box Mount for WPS-500-PTZ-A / WPS-750-PTZ-A Cameras

Dimensions



Specifications

Weight	3.5 lbs.
Knockout Diameter	3/4"

5-Year Limited Warranty

This accessory has a 5-Year Limited Warranty. The warranty includes parts and labor repairs on all components found to be defective in material or workmanship under normal conditions of use. This warranty shall not apply to products which have been abused, modified, disassembled or improperly installed. Products to be repaired under this warranty must be returned to Wirepath™ Surveillance or a designated service center with prior notification and an assigned return authorization number (RA).

Contacting Tech Support

Phone: (866) 838-5052

Email: Techsupport@snapav.com