

WPS-MNT-L-DOM Dome Camera L Mount

Introduction

Wirepath™ Surveillance camera mounts are designed to simplify installation and overcome the complexity of concealing connections when installing Wirepath™ Surveillance cameras. Each mount fits a variety of interior and exterior junction box sizes providing flexibility during installation.

- Single
- Double
- 4" Square

Installation Guidelines

Mounting

When mounting to a junction box, we recommend the use of metal junction boxes for the most secure installation.

Weatherproofing

While washers and a gasket are provided to help block out moisture, we recommend adding a bead of silicone around the edges of the mount for outdoor installations. This helps ensure that moisture does not enter the wall.

Parts Included

Exploded View

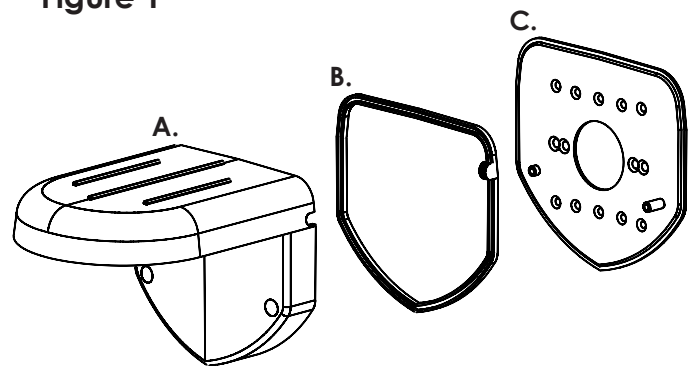
- A. (1) L mount
- B. (1) L mount gasket
- C. (1) wall plate adapter

Note: The identifying letters shown in Figure 1 are used throughout this document.

Not Shown

- D. (2) M5x8mm - hex/thumb screw
- E. (2) M6x25mm - wall anchor
- F. (1) 1/4"x1.5" - round head Phillips screw
- G. (1) 1/4"x2" - round head Phillips screw
- H. (3) #6-32x3/4" - flat head Phillips screw
- I. (3) #8-32x3/4" - flat head Phillips screw
- J. (4) M4x10mm - round head Phillips screw
with rubber rings

Figure 1



Installation



Important Note: To avoid damaging the dome surface during installation, keep the dome surface away from walls and other objects. Do not remove the protective coating from the dome until after the camera is mounted and the dome installed.

Microfiber or similar cloths can be abrasive; only use a dry eyeglass cloth when cleaning the lens to avoid damage that can blur the camera's image.

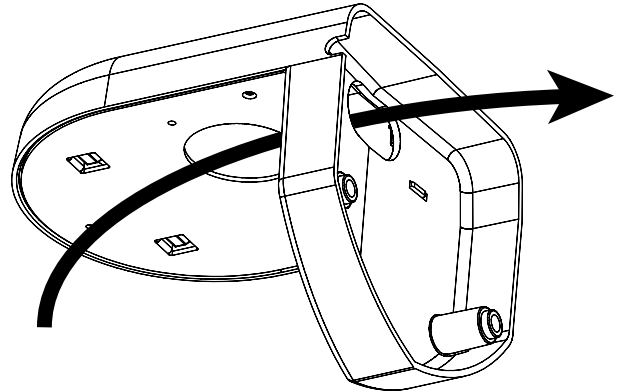
1. Install the Camera Wires into the Mount

- A. Insert the wires from the camera through the wire hole in the underside of the L mount (A) and through the hole in the rear of the L mount.

Tip: Threading the BNC cable through first makes the process easier.

Tip: If the wires are too bulky to thread through the mount, you can detach the underside plate from the L mount with a Phillips screwdriver. Reattach it when you have finished threading the wires.

Figure 2

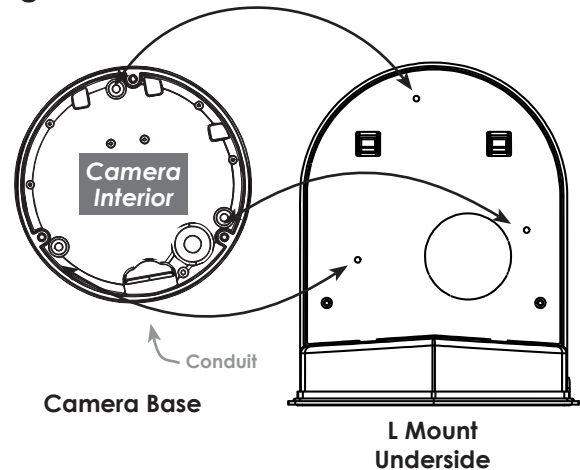


2. Attach the Camera to the Mount

- A. Remove the dome from the camera base using the 3mm hex key supplied with the camera. Do not let the dome contact other surfaces to avoid scratching the dome material (you may wish to detach the dome leash).
- B. Place the camera base on the underside of the L mount (A), aligned as shown in Figure 3.
- C. Secure the camera base to the camera mount using three of the provided M4x10mm round head Phillips screws with rubber rings (J).

Tip: Insert a mounting screw first into the camera base and then into the camera mount.

Figure 3



Note: To prevent moisture from entering the camera, ensure that the rubber washers stay on the screws and seal to the mount firmly.

- D. Loosely reattach the dome onto the camera (you may need to remove the dome later to set up the camera once it is fully mounted). The assembly is now ready to be mounted to the wall.

3. Attach the Wall Plate Adapter to the Wall

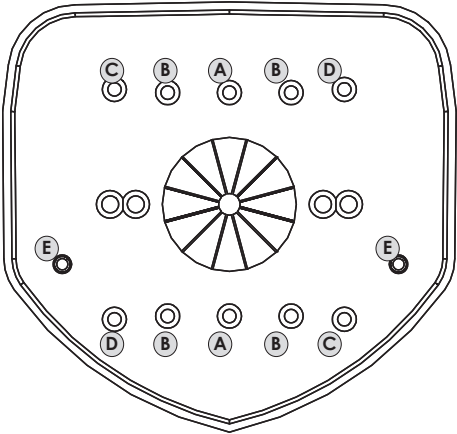
Plate Mounting Holes

The wall plate adapter included with the mount is designed to fit a variety of junction box sizes.

- Single
- Double
- 4" Square

The diagram below identifies which holes to use when mounting to the various plates.

Figure 4

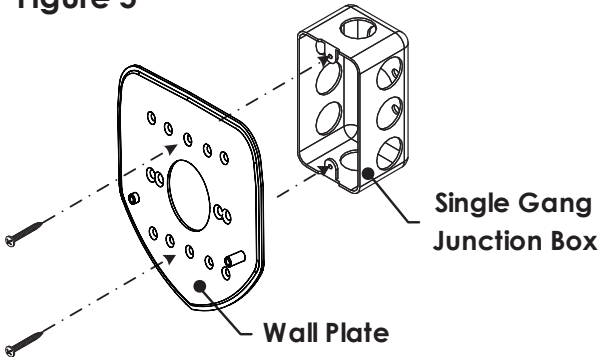


- A. Single Gang
- B. Double Gang
- C. 4" Square
- D. 4" Square (if 4" Square Box is rotated)
- E. L Mount Alignment Posts

- A. Pull the wires from the wall through the center hole in the wall plate adapter.
- B. Align the wall plate adapter mounting holes with the holes on the junction box and secure the wall plate adapter. Note that the screws required depend on the junction box.

Note: While a single gang box is shown, the plate contains mounting holes for various types of junction boxes or masonry wall.

Figure 5



4. Attach the L Mount / Camera Assembly to the Wall

- A. Place the L mount gasket (B) on the rear of the L mount (A) with the groove towards the mount and the tab lined up with the slot on the mount.
- B. Place the L mount (A) assembly onto the wall plate adapter (C) aligning the alignment post (Figure 6) with the right mount screw location on the L mount (A).
- C. Loosely insert the one of the M5x8mm hex/thumb screws (D), this allows the assembly to swing down and be supported while the connections are made (Figure 6).

Figure 6

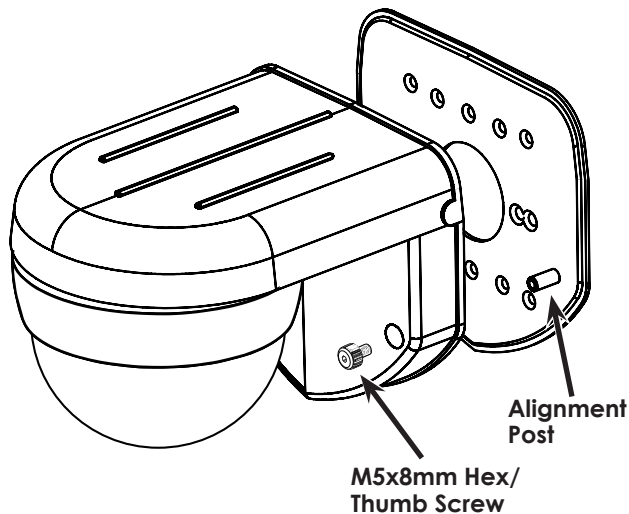
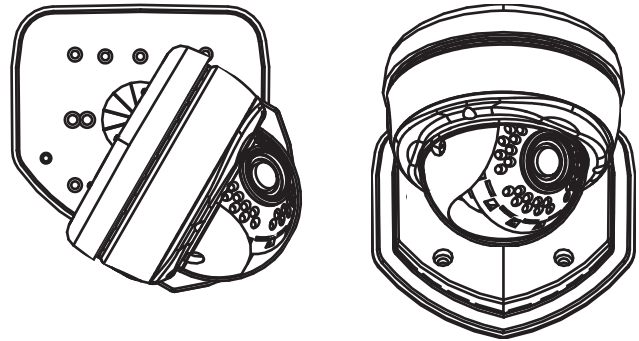


Figure 7



- D. Connect the wires from the wall to the camera's wires at the end of the L mount assembly and tuck the wires into the junction box or wall.
- E. Swing the assembly clockwise (Figure 7), aligning the left screw location with the alignment post on the wall plate adapter. Insert the remaining M5x8mm hex/thumb screw (D), and tighten.
- F. Tighten all screws.

5. Finalize the Installation (Outdoor Cameras)

For outdoor installations, we recommend adding a bead of silicone around the edges of the mount. This helps ensure that moisture does not enter the wall.

6. Set Up the Camera

Now that the camera is mounted, it can be set up for angle, zoom, and focus. Follow the instructions in the manual for the Wirepath™ Surveillance camera that has been installed.

Technical Support

Phone: 866.838.5052

Email: TechSupport@SnapAV.com