

WPS-MNT-PA-PND-WH

Pendant Mount for WPS-500-PTZ-A & WPS-750-PTZ-A Cameras

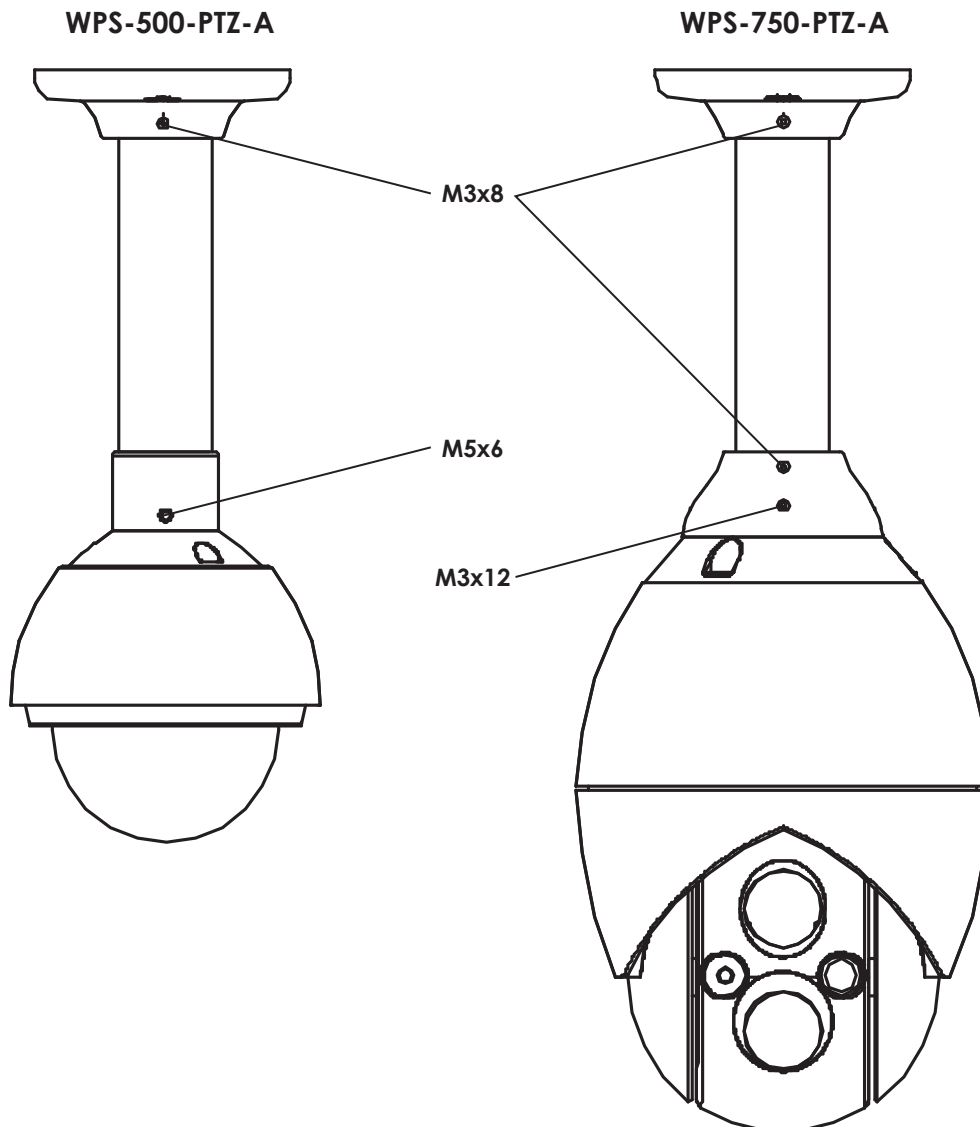
Thank you for purchasing a Wirepath™ Surveillance accessory. This pendant mount will allow you to install a Wirepath WPS-500-PTZ-A or a WPS-750-PTZ-A Analog PTZ camera hanging from a ceiling or soffit for an unobstructed 360° horizontal view.

Mounting and Use Guidelines

- Install only in areas where water cannot enter the opening made for the mount.
- Ceiling or soffit must be able to easily hold the weight of the pendant mount and the camera assembly.
- Instructions for using this accessory may be found in the manual included with the Wirepath PTZ camera.

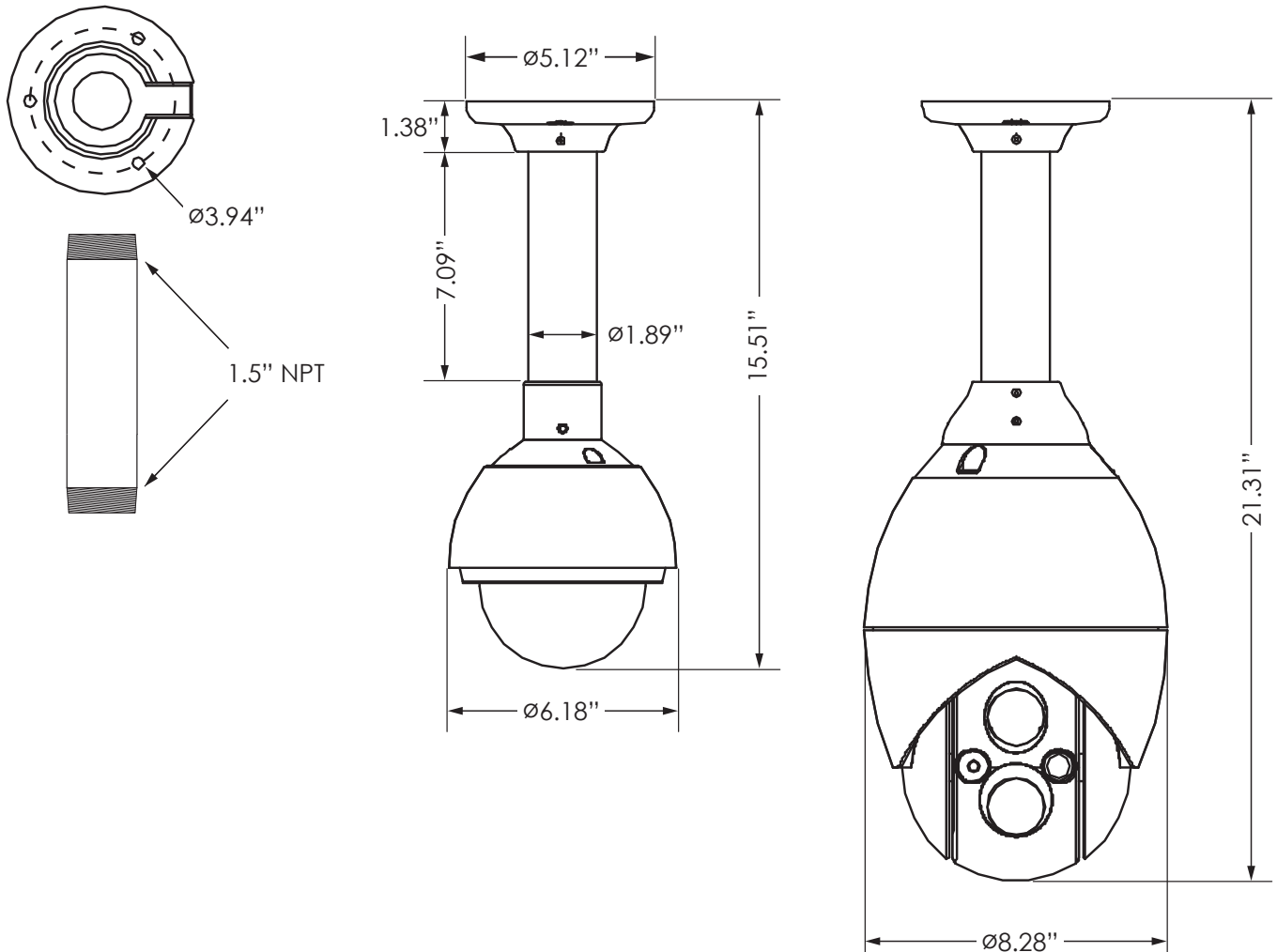
Package Contents

- 2.5mm Allen Key
- Waterproof pad
- Mounting plate
- Extension Pole
- Coupler for WPS-500-PTZ-A
- Coupler for WPS-750-PTZ-A
- Pendant Mounting Hardware (4 each, 1 spare):
 - Screws PA5~5.5
 - Washers
 - Masonry Anchors
- M3x8 Allen Head Screws (3)
- M3x12 Allen Head Screws with Silicone Washers (2)
- M5x6 Allen Head Set Screws (2)



Pendant Mount for WPS-500-PTZ-A and WPS-750-PTZ-A Cameras

Dimensions



Specifications

Pendant Mount Weight	3.1 lbs.
With WPS-500-PTZ-A	10.8 lbs.
With WPS-750-PTZ-A	22.4 lbs.

5-Year Limited Warranty

This accessory has a 5-Year Limited Warranty. The warranty includes parts and labor repairs on all components found to be defective in material or workmanship under normal conditions of use. This warranty shall not apply to products which have been abused, modified, disassembled or improperly installed. Products to be repaired under this warranty must be returned to Wirepath™ Surveillance or a designated service center with prior notification and an assigned return authorization number (RA).

Contacting Tech Support

Phone: (866) 838-5052
 Email: Techsupport@snapav.com