

Wirepath Surveillance IP NVRs

IMPORTANT! - Read Before Heading to the Job Site

The following items are required during the installation of a Wirepath™ NVR. It is recommended that these items are prepared in advance to ensure that the installation can be performed smoothly.

- NVR to be installed in the system
- All Cameras to be installed in the system
- Network Connection located near the NVR
- Administrator rights to the computer that will be used to access the NVR(s)
- Router / Switch – Contact the network admin to obtain
 - Admin Rights – Required to setup the network and port forwarding for remote access.
 - Default gateway
 - Net Mask Address
 - DNS Address
 - Static IP to assign to the NVR
- Installation Manual for all the Wirepath™ Surveillance NVRs being installed
- Quick Start Guide and Installation Manual for all the Wirepath™ Surveillance Cameras being installed
- CD Rom supplied with the NVR

Recommended Equipment

1Gbps Router and a 1Gbps Switch or 1Gbps Router with VLAN.

Note: Streaming content from IP Cameras requires bandwidth greater than most devices. We recommended the use of 1Gbps routers and switches in order to maintain a high quality streaming image. Additionally, to reduce traffic on the overall network, we recommend that all IP Surveillance devices be connected to a dedicated 1Gbps switch or dedicated VLAN.

Document Overview

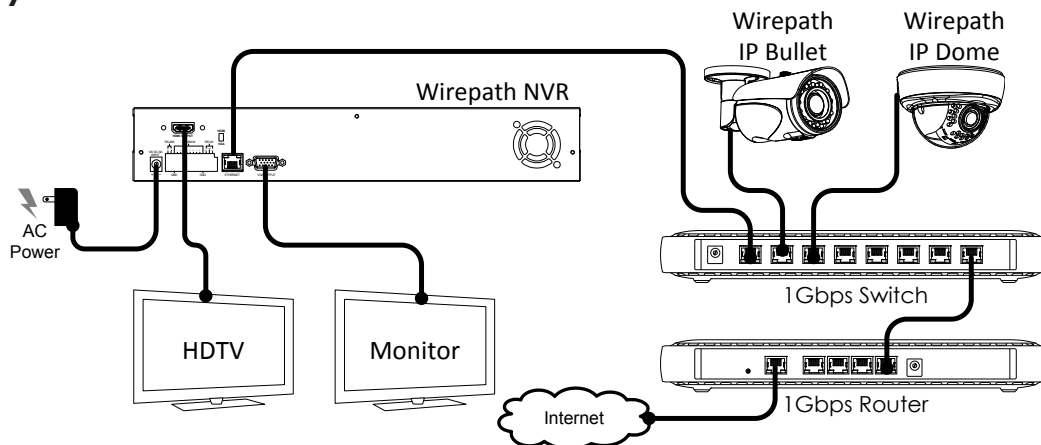
This document outlines the basic steps required to install a Wirepath™ Surveillance IP Camera and access them through a local network. Advanced settings for access from outside of the network can be found in the owner's manual supplied with the Camera or downloaded from www.snapav.com.

Basic Installation Steps

1. Connect and Install the NVR	2
2. Configure NVR Network Settings.....	2
3. Verify NVR Connection with the IP Installer	3
4. Add the Cameras to the NVR.....	4
5. Finalizing the Installation.....	4

1. Connect and Install the NVR

Basic System Connections



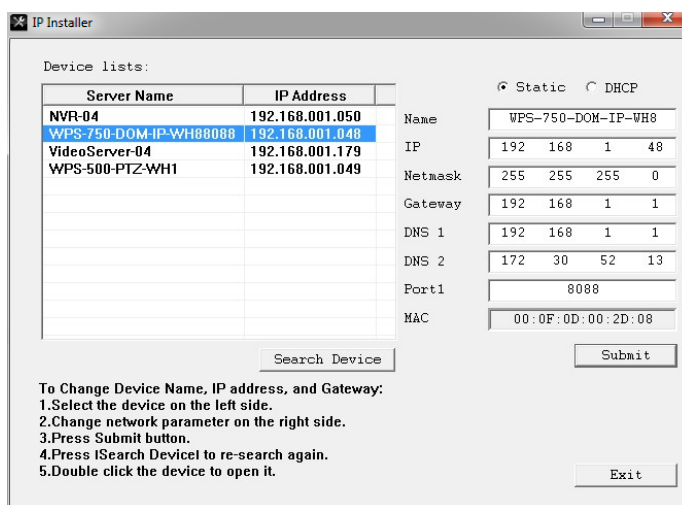
- A. Connect the Cameras to the network following the instructions outlined in the WPS IP Camera Quick Start Guide.
- B. Connect the Ethernet connection to a Cat5e/Cat6 cable; the opposite end of the Cat5e/Cat6 will be connected to the router/switch.
- C. Connect the HDMI out or VGA out to a HDTV or Monitor.
- D. Connect Wirepath™ Surveillance IP Cameras to the router by following the steps in the WPS IP Camera Quick Start Guide or the Installation Manual for the Cameras being used.

2. Configure NVR Network Settings

- A. Copy the WPS IP Installer from the CD Rom or downloaded from www.snapav.com to a PC.

Note: The WPS IP Installer is a native executable application and does not require installation on the PC.

- B. Open the WPS IP Installer.
- C. Once open, the installer will scan the network for Wirepath™ IP Cameras, NVRs, and Encoders that are connected to the network. If no devices appear, selecting Search Devices button will initiate a scan of the network.



- D. Select an NVR from the list. After selecting, the NVR will highlight in blue and the network information will appear to the right.

Note: By Default the NVRs are set to DHCP, which will pull network settings from the Router. We recommend that static IP addresses are used to ensure that the NVR will remain accessible during setup and use.

- E. If the MAC Address and location are known, a name can be given at this time.

F. Select Static; this will allow for manual entry of Network Settings.

F.1 - Enter the **IP** address issued by the network admin.

F.2 - Enter the **Net Mask** for the network (usually 255.255.255.0 but dependent on the ISP/network)

F.3 - Enter the default **Gateway** (Address used to access the router)

F.4 - Enter the **DNS 1** address (If not known, the Default gateway can be used)

F.5 - Enter the **DNS 2** address (If only 1 DNS address is known, this can be 0.0.0.0)

Note: The DNS addresses pulled during DCHP should remain after selecting Static IP; if the addresses change or are blank, this information should be obtained from the network admin to ensure they are set properly.

Port Setting Important Note!

We recommend that the Port remain at the default setting of 80 for basic setup and does not require changing for local network access. Details on assigning ports, using port forwarding, and other advanced networking settings for access from outside the network can be found in the Camera's installation manual.

G. Repeat Step 2 A-D for each NVR in the system.

3. Verify NVR Connection with the IP Installer

After the NVR network settings are configured, access to the NVR(s) will need to be verified to ensure that all NVRs are properly installed and configured. While these steps use the WPS IP Installer, the NVRs can be accessed directly from a browser by entering the IP address of the NVR in the address bar.

Example Address: **http://192.168.1.100:80**

A. Double click an NVR in the list; a login screen will appear within the browser.

B. Enter the default username and password listed below:

Username: admin

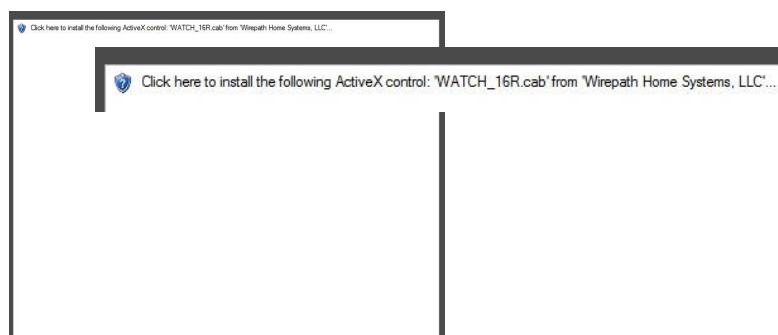
Password: admin

Note: After initial setup of the NVR we recommend that the username and password be changed to avoid unwanted access. This is covered in more detail in the manual supplied with the Camera or downloaded from www.snapav.com.

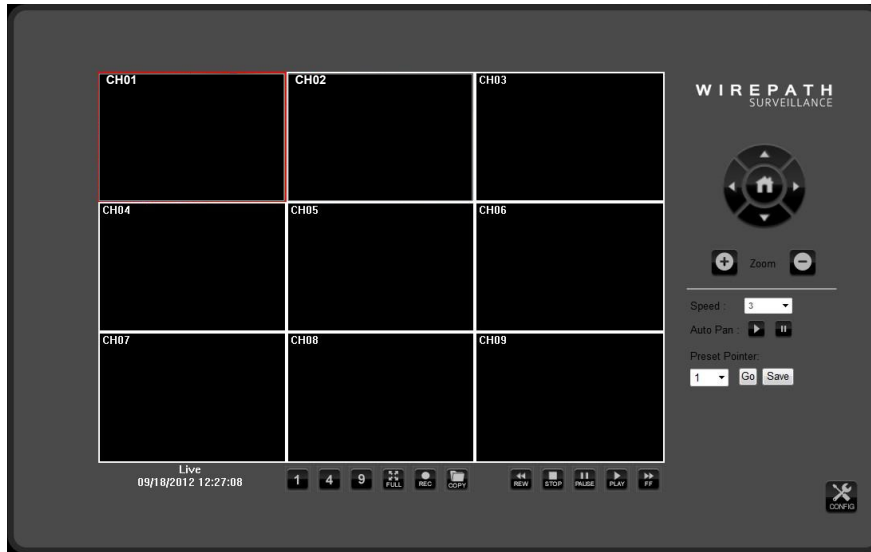


C. On first run of the installer, a message will appear to install the ActiveX control required to view the NVR, and in some cases, to access the NVR will need to be allowed.

Note: If the IP address of the NVR or the router is changed, these messages will reappear.



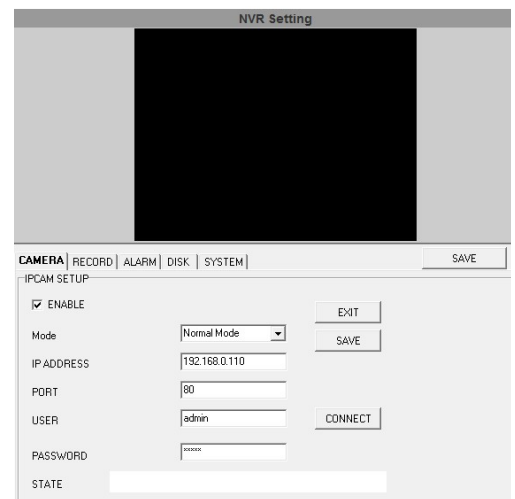
D. After the ActiveX is installed, the NVR can be viewed.



E. If after installing the ActiveX module the NVR view does not appear, close the window and return to the WPS IP Installer and verify the network settings for the NVR .

4. Add the Cameras to the NVR

- A. Click on the Config button to open the Setup Menu.
- B. Select NVR Setting at the bottom of the menu on the left hand side. This will open up the NVR settings menu.
- C. Click on the SET button next to IPCAM Setup to open the Camera menu.
- D. Select the Enable Checkbox.
- E. Enter the IP Address, port (80), username, and password for the Camera and click SAVE next to IP Address to save the settings.
- F. Repeat Steps 4A to 4E for all the Cameras on the network.



5. Finalizing the Installation

Now that basic setup is complete and the NVRs can be accessed, refer to the following documents located on the CD Rom or downloaded from www.snapav.com to perform advanced installation and fine-tuning of the NVRs.

- NVR Installation Manuals – Camera functions can vary; refer to the Camera being used
- NVR Quick Start Guide – Reference for basic installation of a Wirepath™ NVR
- NVR Installation Manual – Reference for Advanced NVR configuration and access
- Router Setup Guides – Reference for specific routers for advanced configuration such as port forwarding

Contacting Technical Support

Phone: (866) 838-5052
 Email: Techsupport@snapav.com

WIREFATH
 SURVEILLANCE

© 2013 Wirepath™ Surveillance
 130411-1715
 a11633N9BE02_V1.0_121025