



Model: WS SB FOR Control4 Contemporary Lighting 1Gang

Model No.: 007-1-241

Family: WALL-SMART

DWG NO. 007-4-241-SPC

PRODUCT SPEC.

REVISION A

DATE 14/JULY/2021



Make Your Wall Smart

“WS SB FOR Contemporary Lighting 1Gang - Product description:

The “WS SB FOR Control4 Contemporary Lighting 1Gang” is an adapter for in-wall flush installation of a Control4 Contemporary Lighting 1Gang devices in solid board walls. The “WS SB FOR Control4 Contemporary Lighting 1Gang” firmly mounts the device while allowing easy access, insertion and removal.

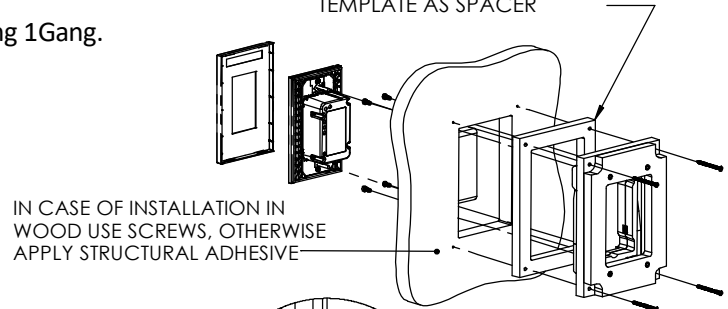
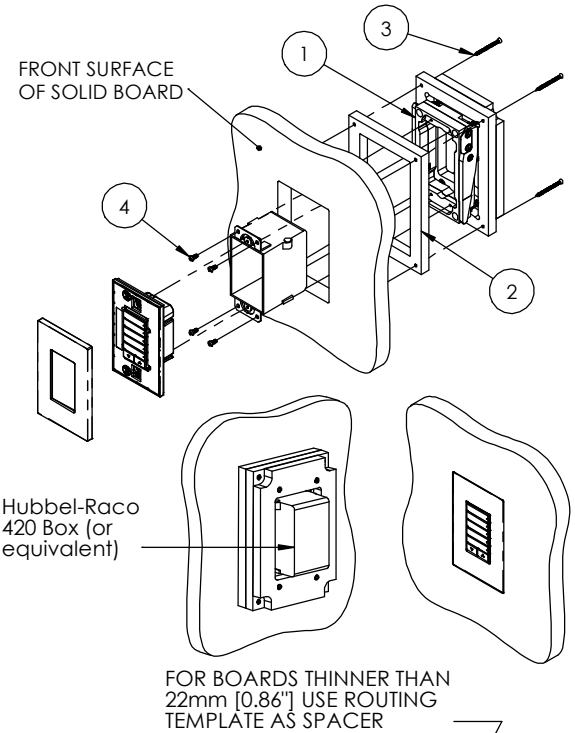
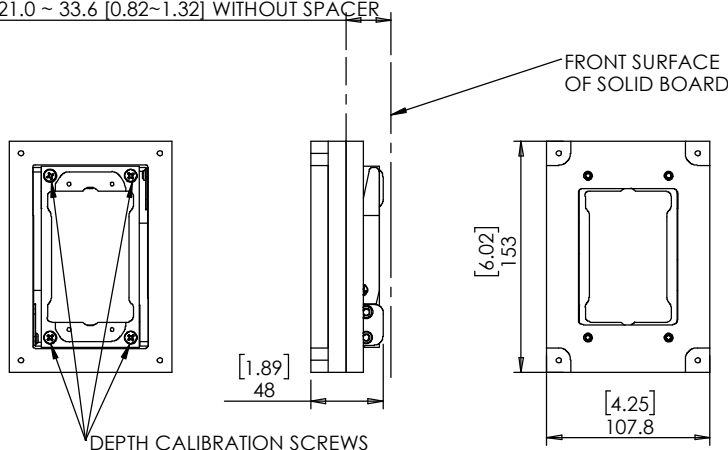
Key features and benefits:

- Allows easy insertion and removal.
- Flush with the wall.
- Allows easy maintenance access.
- Includes depth calibration mechanism and a spacer.
- allowing installation in wide range of board thicknesses:
With spacer: 9.5mm ~ 22.0mm [0.38" ~ 0.86"] thick.
Without spacer 21.0mm ~ 33.6mm [0.82" ~ 1.32"] thick.
- Designed for the use with Control4 Contemporary Lighting 1Gang. (faceplate, devices and back box are not included)
- Use routing template as spacer.
- Installation kit contains:
 1. Wall adapter (x1)
 2. Routing template (x1)
 3. ST3x40 screws (x4)
 4. #6x5/16" Screws (x4)

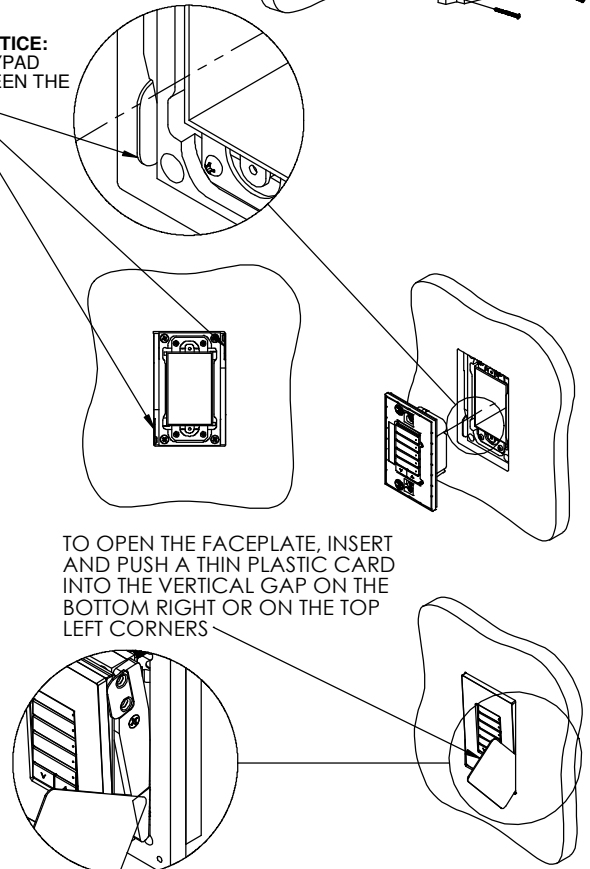
Key properties:

- Dimensions (W/H/D): 107.8mm (4.25")/ 153mm (6.02")/ 47.0mm (1.85")
- Power Supply: None (manual adapter).
- Weight: 0.35Kg, 0.77lbs.
- Material: Moisture resistant MDF (compliant with TSCA Title VI)

SOLID BOARD THICKNESS RANGE:
9.5 ~ 22.0 [0.38~0.86] WITH SPACER
21.0 ~ 33.6 [0.82~1.32] WITHOUT SPACER



INSTALLATION NOTICE:
POSITION THE KEYPAD
CENTERED BETWEEN THE
TWO LEVERS





Model: WS SB FOR Control4
Contemporary Lighting 1Gang

Family: WALL-SMART

DWG NO. 007-4-241-SPC

Model No.: 007-1-241

PRODUCT SPEC.

REVISION A

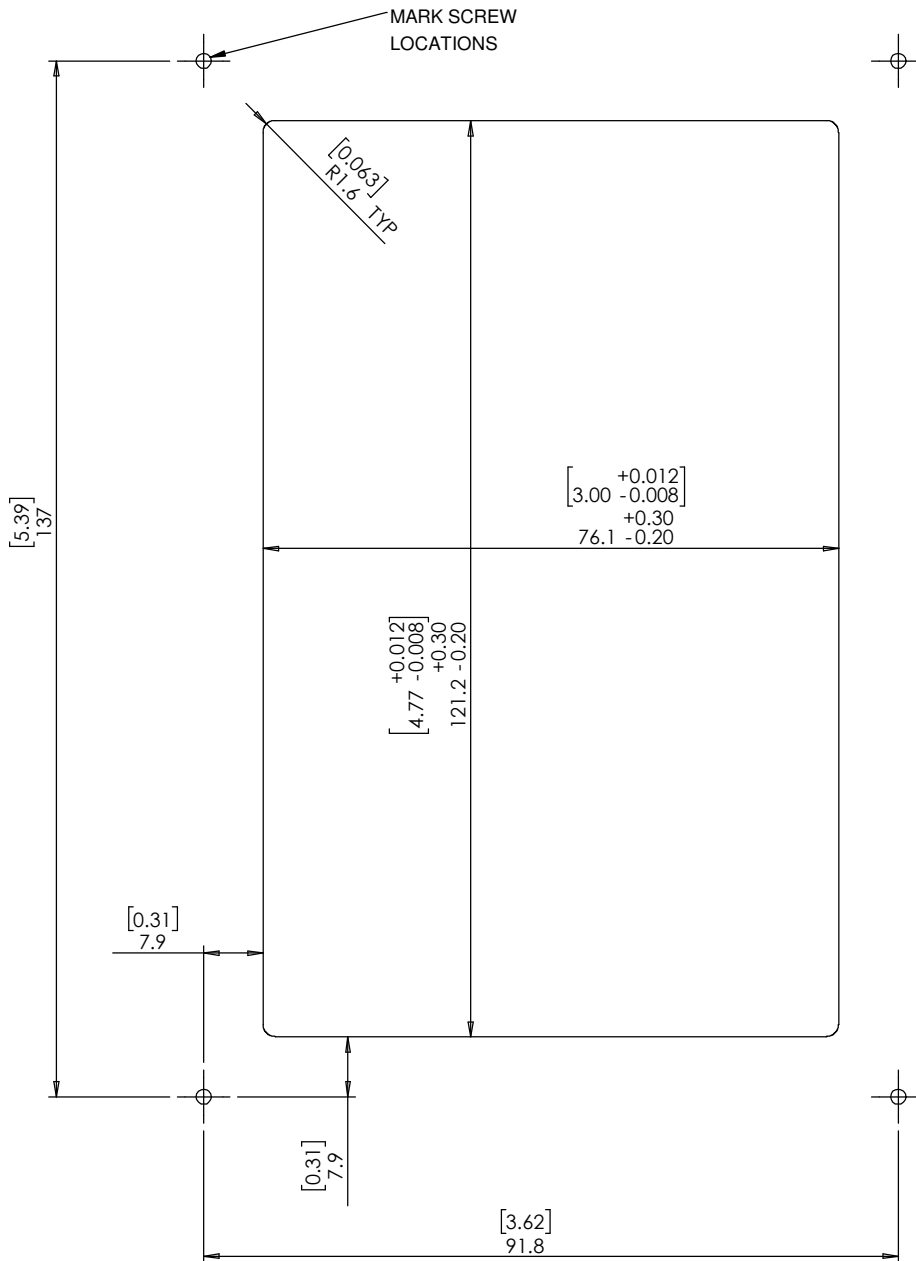
DATE 14/JULY/2021



CUTOUT ROUTING TEMPLATE

007-1-241

SCALE 1:1



PRINT THIS PAGE 1:1 SCALE