



Model: WS SB FOR Control4 Contemporary Lighting 2Gang

Model No.: 007-1-242

Family: WALL-SMART

DWG NO. 007-4-242-SPC

PRODUCT SPEC.

REVISION A

DATE 08/AUG/2021



Make Your Wall Smart

“WS SB FOR Control4 Contemporary Lighting 2Gang - Product description:

The “WS SB FOR Control4 Contemporary Lighting 2Gang” is an adapter for in-wall flush installation of a Control4 Contemporary Lighting 2Gang devices in solid board walls.
The “WS SB FOR Control4 Contemporary Lighting 2Gang” firmly mounts the device while allowing easy access, insertion and removal.

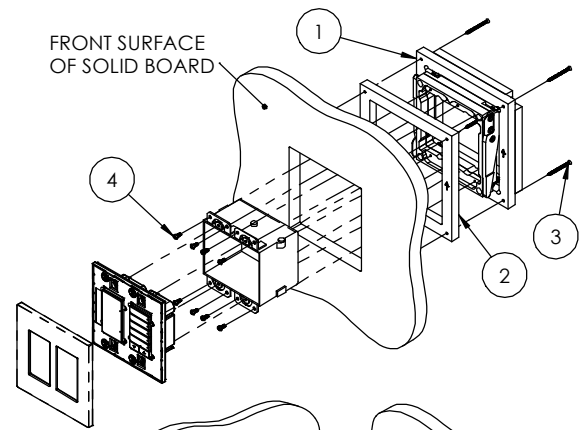
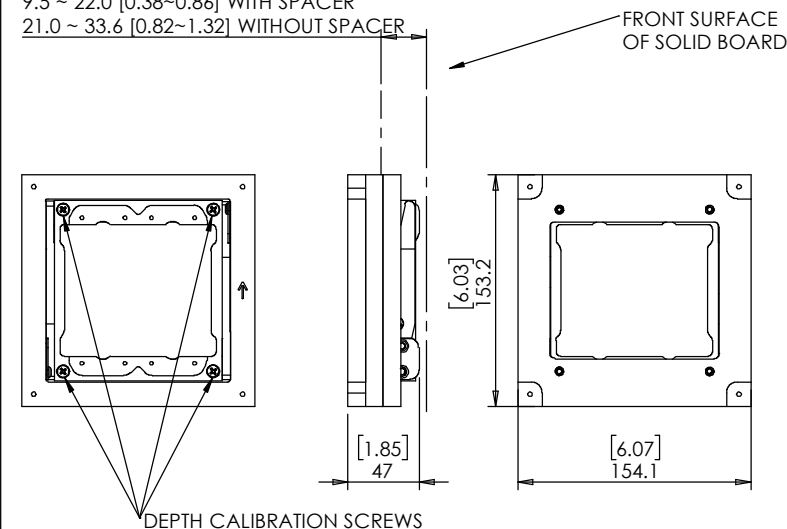
Key features and benefits:

- Allows easy insertion and removal.
- Flush with the wall.
- Allows easy maintenance access.
- Includes depth calibration mechanism and a spacer.
- allowing installation in wide range of board thicknesses:
With spacer: 9.5mm ~ 22.0mm [0.38" ~ 0.86"] thick.
Without spacer 21.0mm ~ 33.6mm [0.82" ~ 1.32"] thick.
- Designed for the use with Control4 Contemporary Lighting 2Gang. (faceplate, devices and back box are not included)
- Use routing template as spacer.
- Installation kit contains:
 1. Wall adapter (x1)
 2. Routing template (x1)
 3. ST3x40 screws (x4)
 4. #6x5/16" Screws (x8)

Key properties:

- Dimensions (W/H/D): 154.1mm (6.07")/ 153.2mm (6.03")/ 47.0mm (1.85")
- Power Supply: None (manual adapter).
- Weight: 0.4Kg, 0.88lbs.
- Material: Moisture resistant MDF (compliant with TSCA Title VI)

SOLID BOARD THICKNESS RANGE:
9.5 ~ 22.0 [0.38~0.86] WITH SPACER
21.0 ~ 33.6 [0.82~1.32] WITHOUT SPACER



Hubbel-Raco 420 Box (or equivalent)

IN CASE OF INSTALLATION IN WOOD USE SCREWS, OTHERWISE APPLY STRUCTURAL ADHESIVE

FOR BOARDS THINNER THAN 22mm [0.86"] USE ROUTING TEMPLATE AS SPACER

INSTALLATION NOTICE:
POSITION THE KEYPAD CENTERED BETWEEN THE TWO LEVERS

TO OPEN THE FACEPLATE, INSERT AND PUSH A THIN PLASTIC CARD INTO THE VERTICAL GAP ON THE BOTTOM RIGHT OR ON THE TOP LEFT CORNERS



Model: WS SB FOR Control4 Contemporary Lighting 2Gang

Family: WALL-SMART

DWG NO. 007-4-242-SPC

Model No.: 007-1-242

PRODUCT SPEC.

REVISION A

DATE 08/AUG/2021

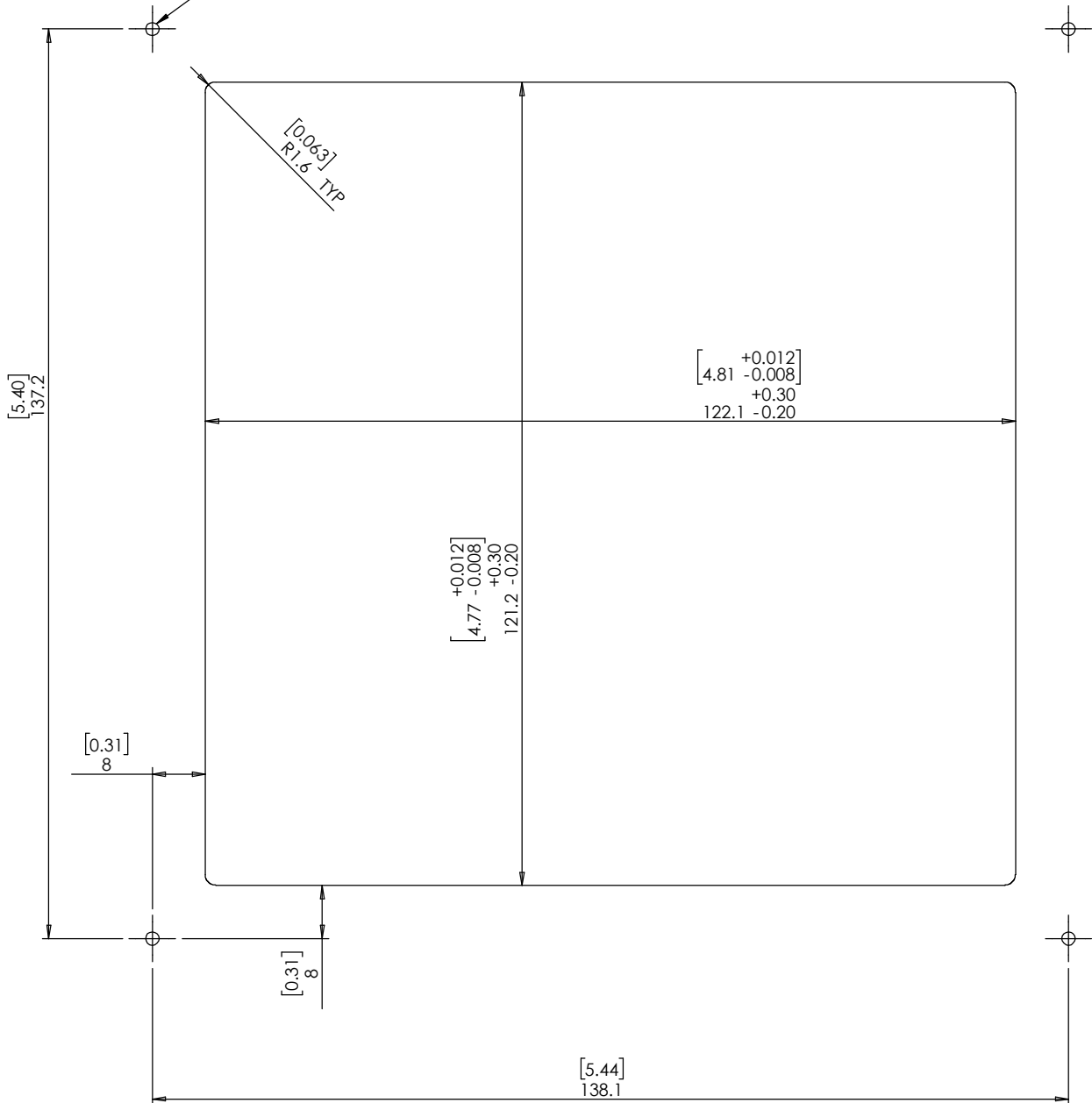


CUTOUT ROUTING TEMPLATE

007-1-242

SCALE 1:1

MARK SCREW LOCATIONS



PRINT THIS PAGE 1:1 SCALE