



Model: WS SB FOR C4 T4 8"

Model No.: 007-1-846

Family: WALL-SMART

DWG NO. 007-4-846-SPC

PRODUCT SPEC.

REVISION A

DATE 08/SEP./2020



Make Your Wall Smart

“WS SB FOR C4 T4 8” - Product description:

The “WS SB FOR C4 T4 8” is an adapter for in-wall flush installation of a Control4 T4IW8 touch screen in solid board walls.

The “WS SB FOR C4 T4 8” firmly mounts the touch screen while allowing easy insertion, removal and operation.

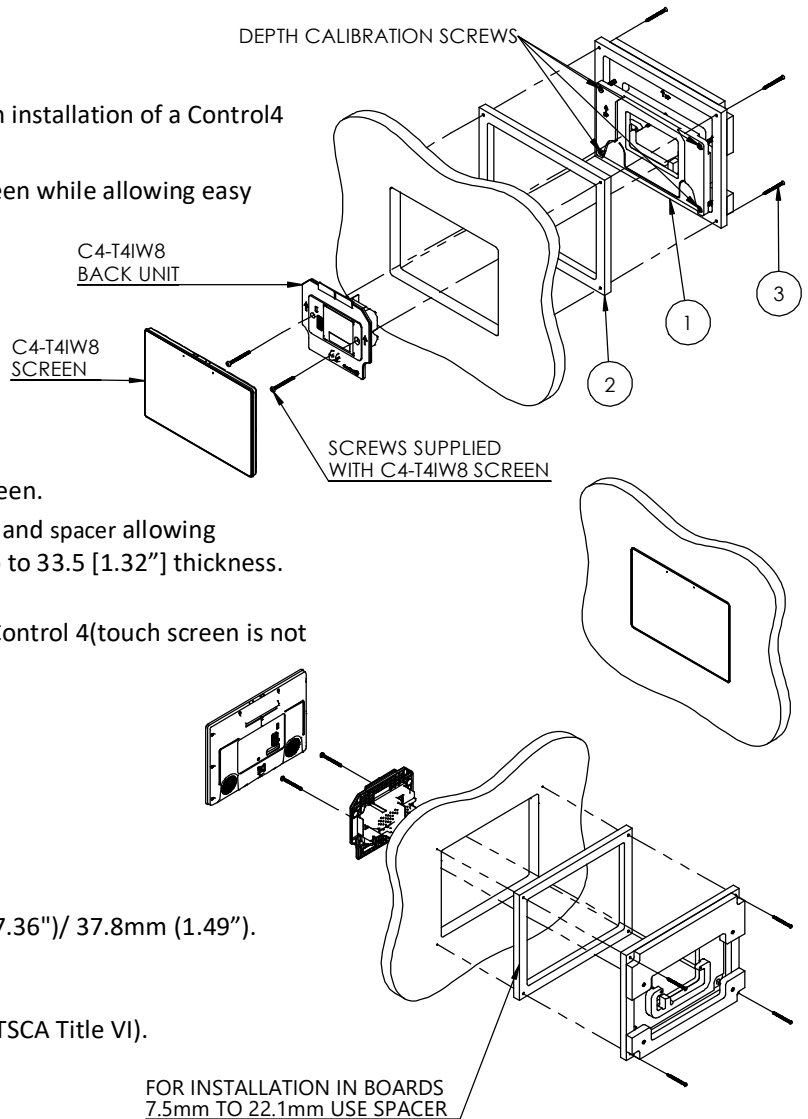
FOR LOW VOLTAGE (POE) ONLY

Key features and benefits:

- Flush with the solid surface wall.
- Wall mount may be mounted in any orientation.
- Allows easy insertion and removal of the touch screen.
- Wall mount contains depth calibration mechanism and spacer allowing installation in solid surface boards of 7.5 [0.29"] up to 33.5 [1.32"] thickness.
- See page 2 for routing dimensions.
- Designed for the use with T4IW8 touch screen by Control 4(touch screen is not included).
- Adapter kit contains:
 1. (X1) Wall adapter
 2. (X1) Spacer
 3. (X4) ST3x40 screws

Key properties:

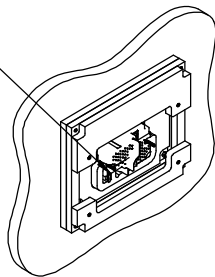
- Dimensions: (W/H/D): 235.2mm (9.26")/ 187mm (7.36")/ 37.8mm (1.49").
- Power Supply: None (manual adapter).
- Weight: 0.7Kg, 1.54lbs.
- Material: Moisture resistant MDF (compliant with TSCA Title VI).



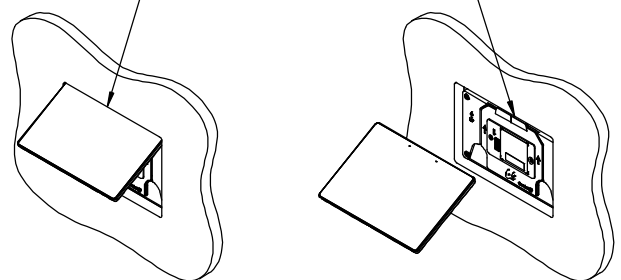
LINE VOLTAGE CONNECTOR IS BLOCKED

THIS WALL MOUNT DESIGNED FOR POE POWER ONLY!

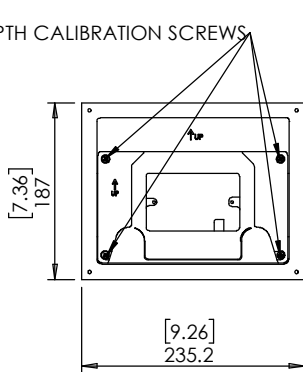
C4-NWB57C-P BACK BOX NOT REQUIRED



HANG THE SCREEN ON THE BACK UNIT TOOTH AND DROP TO PLACE

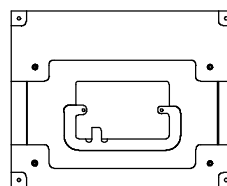


DEPTH CALIBRATION SCREWS



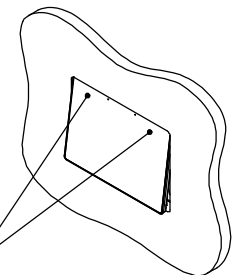
[1.49]
37.8

FRONT SURFACE OF SOLID BOARD



SOLID BOARD THICKNESS RANGE:
7.5 ~ 22.1 [0.29"~0.87"] WITH SPACER
18.6 ~ 33.5 [0.73"~1.32"] WITHOUT SPACER

PUSH TO OPEN



SCALE 1:1

CONTACT WALL-SMART FOR DXF FILE

MARK SCREW LOCATIONS

