



Model: WS RF FOR C4 T4 10
BLACK/WHITE/UNPAINTED

Model No.: 007-1-850-BL/-WH/-WO

Family: WALL-SMART

DWG NO. 007-4-850-SPC

PRODUCT SPEC.

REVISION A

DATE 25/AUG./2020



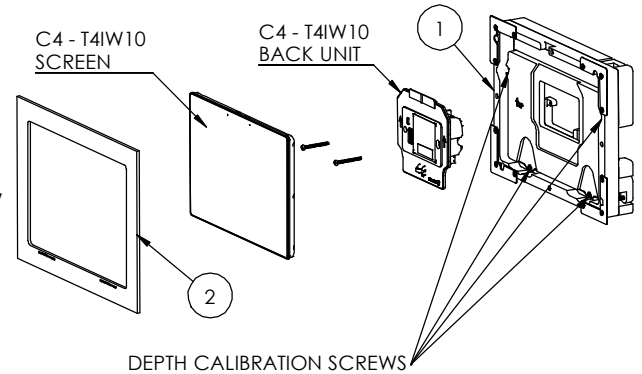
Make Your Wall Smart

**“WS RETROFIT FOR C4 T4 10” BLACK/WHITE/UNPAINTED” -
Product description:**

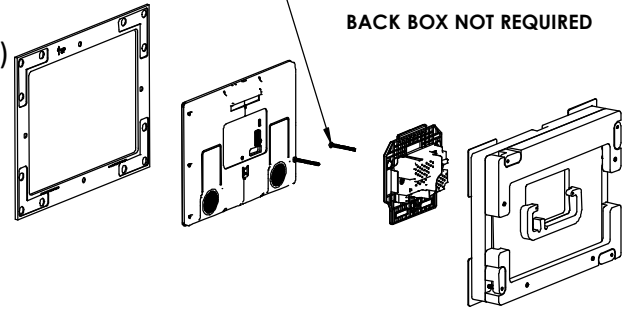
The “WS RETROFIT FOR C4 T4 10” is an adapter for in-wall nearly flush retrofit installation of T4IW10 touch screen. The “WS RETROFIT FOR C4 T4 10” firmly mounts the touch screen while allowing easy insertion, removal and operation.

Key features and benefits:

- Nearly flush with the wall (4mm [0.16"] thick on-wall bezel).
- Wall mount contains depth calibration screws.
- Board thickness 10mm[0.39"] up to 21mm[0.83"].
For boards up to 32mm[1.25"] thick, reinstall cam latches upside down.
- Designed for POE power only.
- Line voltage connector is blocked.
- Does not require control4 back box.
- Designed for the use with T4IW10 touch screen (by Control4) (touch screen is not included).
- Adapter kit contains:
 1. (X1) Wall adapter;
 2. (X1) Bezel;
- The bezel is supplied painted black (-BL), white (-WH) or unpainted (-WO).



SCREWS SUPPLIED WITH C4-T4IW10 SCREEN



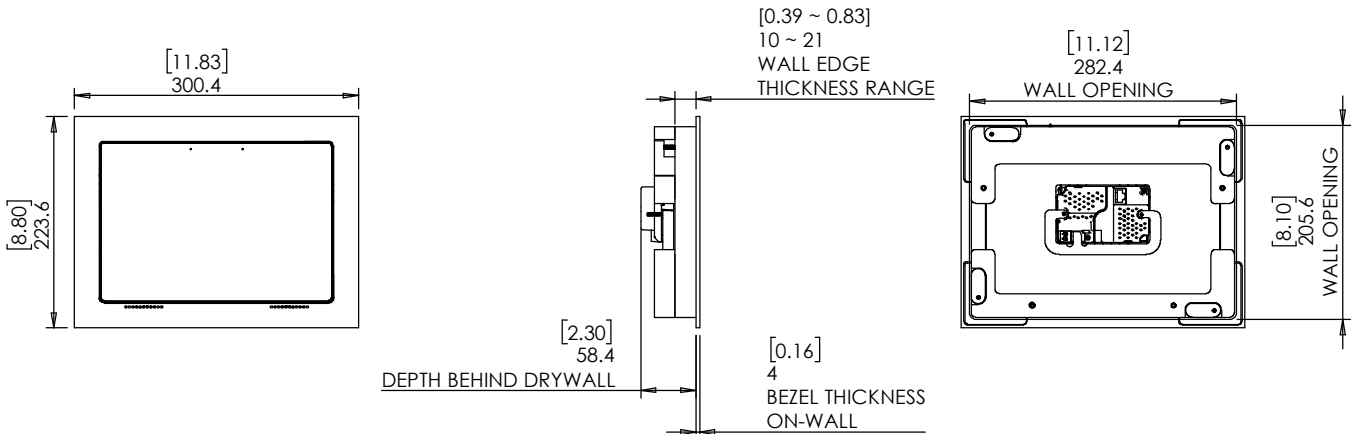
BACK BOX NOT REQUIRED

LINE VOLTAGE CONNECTOR IS BLOCKED

THIS WALL MOUNT DESIGNED FOR POE POWER ONLY!

Key properties:

- Dimensions: (W/H/D): 300.4mm (11.83")/ 223.6mm (8.80")/ 48mm (1.89")
- Weight: 1.0Kg, 2.2lbs.
- Material: Moisture resistant MDF





Model: WS RF FOR C4 T4 10
BLACK/WHITE/UNPAINTED

Family: WALL-SMART

DWG NO. 007-4-850-SPC

Model No.: 007-1-850-BL/-WH/-WO

PRODUCT SPEC.

REVISION A

DATE 25/AUG./2020

