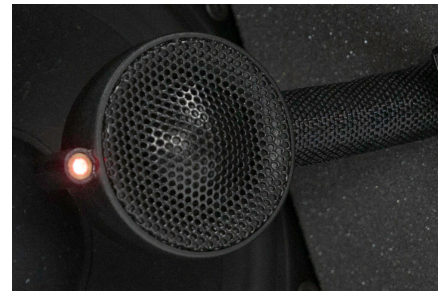


ROTATING SILVER/9 SAT

IN-CEILING SPEAKERS



TRIAD IN-CEILING ROTATING SILVER/9 SAT

The In-Ceiling Rotating Silver Satellite speaker delivers the same exceptional sound of Triad's other Silver Satellite speakers but includes an independently aimable woofer and tweeter that rotate, directing sound toward the optimal listening area. To help with aiming, the Rotating Sat has a built-in, battery-powered laser that allows an installer to see precisely where the tweeter is aimed. This feature helps installers optimize the sound for the seating location without the assistance of another person.

When installing home theater in-ceiling speakers, sometimes the perfect location is just not available. From ducting to pipes and light fixtures, there are obstacles that can prevent installing the speaker where it "should" be. The In-Ceiling Rotating Silver Sat is specifically designed to overcome these placement challenges and optimize the home theater experience.

FEATURES

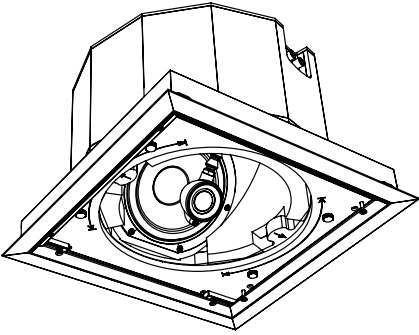
- 1" rotating fabric dome tweeter
- 6 1/2" rotating woofer
- Built-in laser for precisely aiming the speaker
- Handles 25 - 125W at 8 ohm
- Frequency response 75 Hz - 20 kHz
- Square frameless grill and mounting template included

FINISHES

The grill for the In-Ceiling Rotating Sat is available in an unlimited array of custom-matched paint colors to blend in with your decor. The standard finish is white paint. For any other colors, please refer to Triad's Custom Match Finish program.

TRIAD IN-CEILING ROTATING SILVER/9 SAT

SPECIFICATIONS



MATERIALS

Tweeter size	1" (25 mm)
Tweeter type	Fabric dome
Woofer count	1
Woofer size	6 1/2" (17 cm)
Woofer type	Coated paper

DIMENSIONS

Enclosure size (L x W x D)	13 1/2 x 13 1/2 x 8 7/8" (34.3 x 34.3 x 22.5 cm)
Frameless grill size	14 15/16 x 14 15/16" (37.9 x 37.9 cm)
Hole cutout size	13 5/8 x 13 5/8" (34.6 x 34.6 cm)
NCB size	G
Product weight (ea.)	15.95 lbs (7.23 kg)
Shipping weight (ea.)	22.6 lbs (10.25 kg)

PERFORMANCE

Recommended amplifier power	25 - 125W
Impedance	8 ohm
Sensitivity (dB @ 2.83V, 1 m)	86 dB
Frequency response (4 π +/- 3 dB)	75 Hz - 20 kHz

PRODUCT NUMBER

In-Ceiling Rotating Silver/9 Sat	55235-1000-1
----------------------------------	--------------

PRODUCT PAGE



triadspkrs.co/rotatingsat

DIMENSIONS

