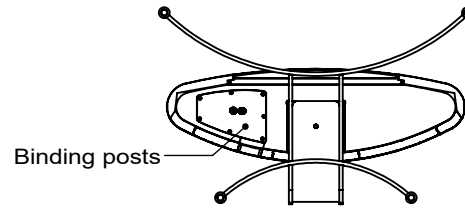
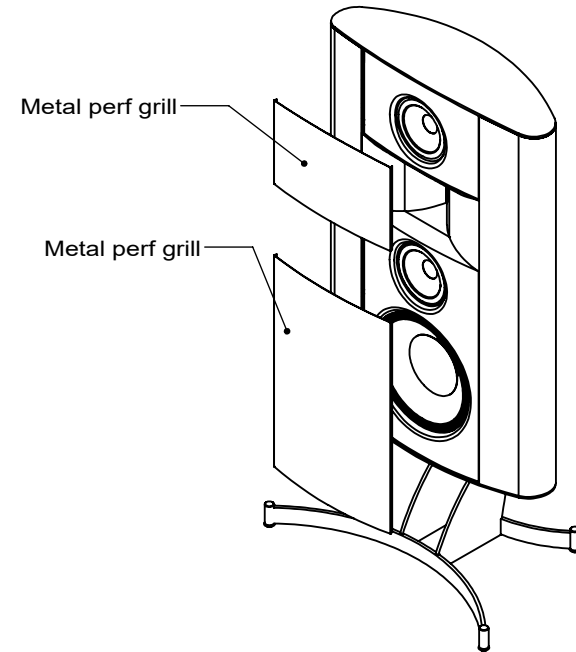


Top view



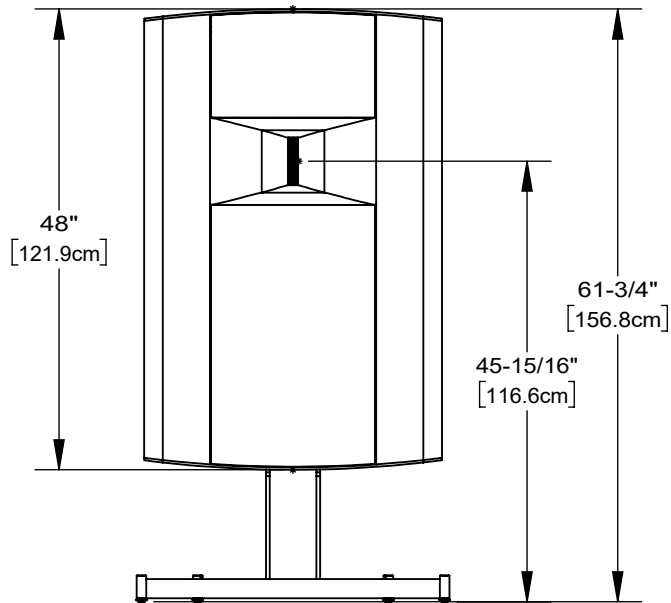
Binding posts

Bottom view

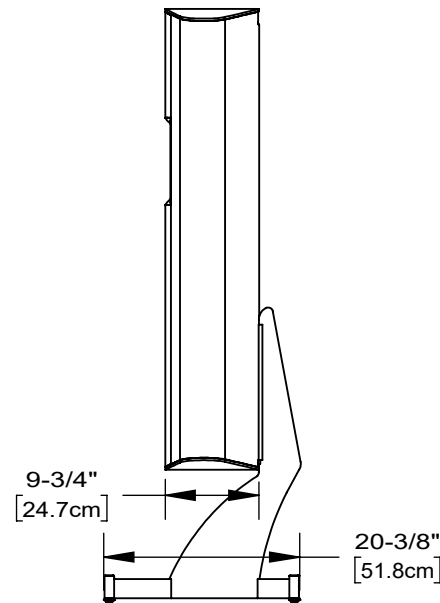


Metal perf grill

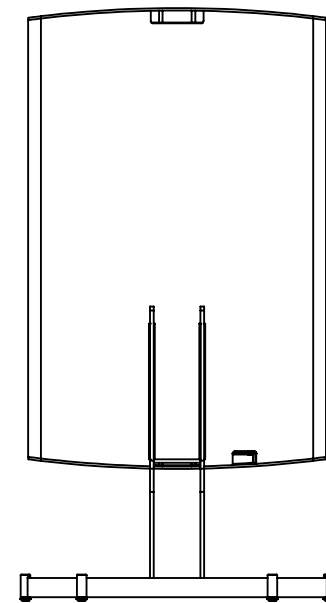
Metal perf grill



Front view



Right view



Back view

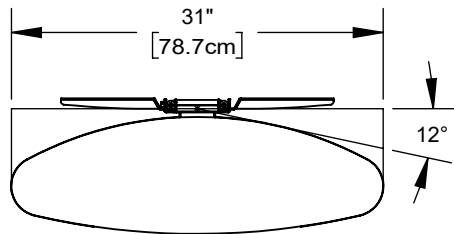
v1.0

**TRIAD**  
 15835 NE CAMERON BLVD  
 PORTLAND, OR 97230  
[www.triadaudio.com](http://www.triadaudio.com)  
 503-256-2600

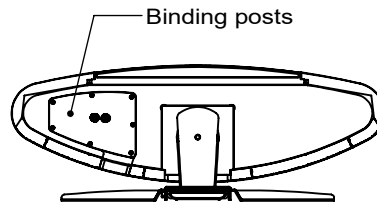
## Cinema Reference LCR 2

*Copyright ©2018, Control4 Corporation. All rights reserved. Control4, the Control4 logo, the 4-ball logo, Triad, and the Triad logo, are registered trademarks or trademarks of Control4 Corporation or its subsidiaries in the United States and/or other countries. All other names and brands may be claimed as the property of their respective owners. All specifications subject to change without notice*

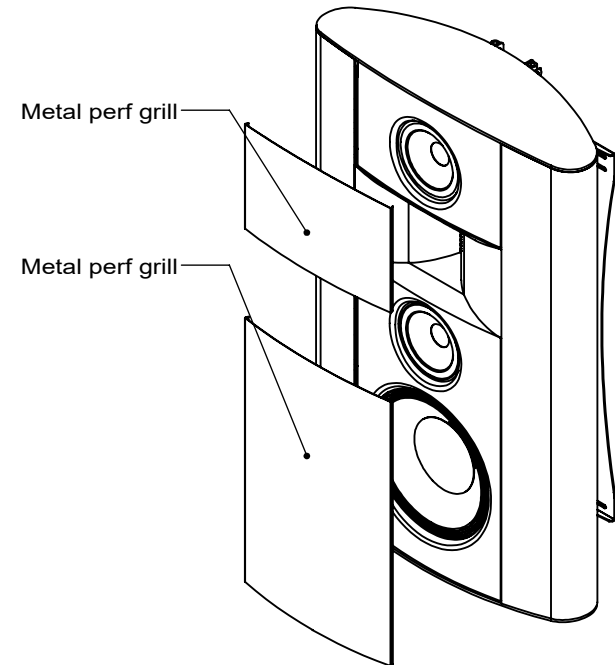




Top view

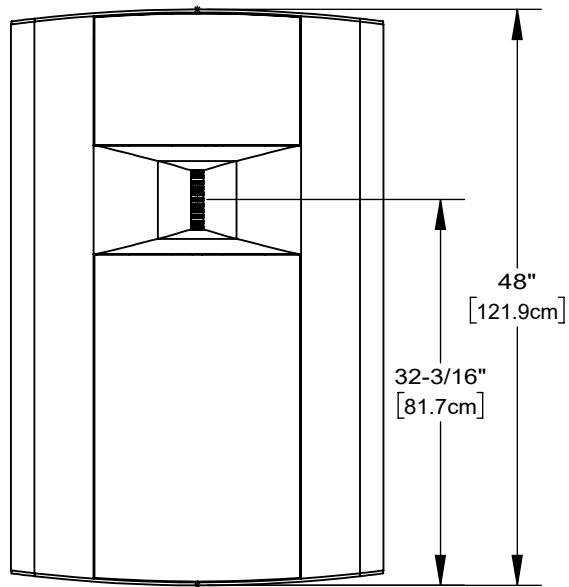


Bottom view

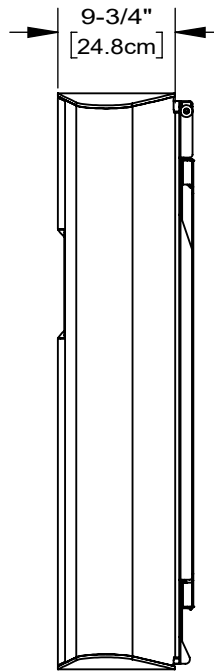


Metal perf grill

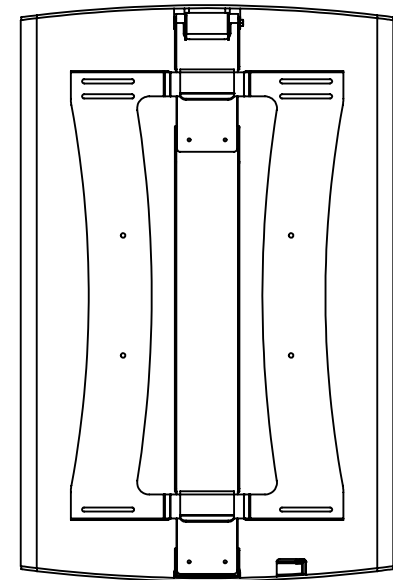
Metal perf grill



Front view



Right view



Back view

v1.0

**TRIAD**  
 15835 NE CAMERON BLVD  
 PORTLAND, OR 97230  
[www.triadaudio.com](http://www.triadaudio.com)  
 503-256-2600

## Cinema Reference LCR 2

*Copyright ©2018, Control4 Corporation. All rights reserved. Control4, the Control4 logo, the 4-ball logo, Triad, and the Triad logo, are registered trademarks or trademarks of Control4 Corporation or its subsidiaries in the United States and/or other countries. All other names and brands may be claimed as the property of their respective owners. All specifications subject to change without notice*

