

T3-ACP-CP

TABLE BOX WITH PRE-INSTALLED PULL-OUT CABLES



Pending



DESCRIPTION

The T3-AC2-CP is an ideal table box for desktop and laptop PC users, where convenient access to network drops, AC power sources and video/audio displays is required. The small footprint provides an un-obtrusive complement to any décor. Integral pull-out cables are included.

The T3-AC2-CP allows the user to connect their Laptop or PC to AC power and an external video display and house sound system as well as “link up” with network and phone lines.

The T3-AC2-CP primarily allows quick, convenient access to AC power outlets and pre-installed network cables for up to two computers or laptops.

Allow the user to pull out the appropriate cables from the unit’s compartment and connect their Laptop or PC. The cables extend out to reach the equipment. AC power outlets in the compartment provide an AC source for PC’s and laptops. When the user is finished, the cables are returned to the compartment for safe keeping. No more “Cable napping”. Cables always stay safely and securely tucked away when not in use.

The AC power cord that feeds the outlet(s) has a convenient plug at the end of the 9’ cable that is simply plugged into a local wall outlet eliminating any costly line voltage wiring.

Both of these stylish table boxes will fit a round 3½” opening with simple installation using a standard drill.

FSR

METAL PRODUCTS GROUP

FEATURES

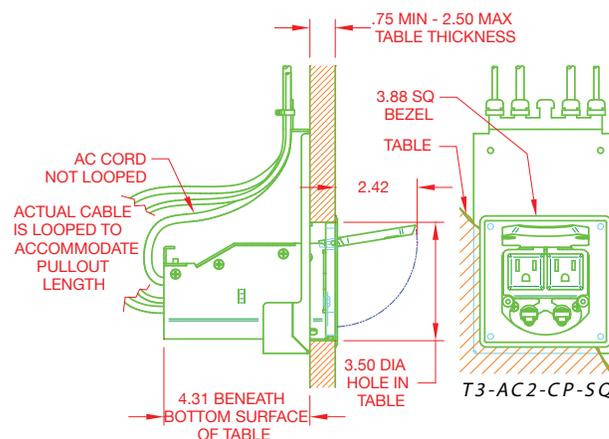
- Can be matched to nearly any décor with Black, Aluminum or special order Brass Top
- Easy and flexible installation
- Fits a 3½” hole. ¾” to 2½” table thickness
- Cables cannot be removed by the user
- Built to Last CNC Milled solid cover
- Hardware and tie wraps included
- Rugged 16 gauge-galvanized steel chassis
- Cables pre-installed and ready to use
- No annoyance factor cover opens 96° so it stays open
- Rubber grommets for quiet closure
- “Mouse hole” allows cover to be closed during use

T3-AC2-CP INCLUDES:

- 2 AC Power outlets with 9’ Cord and plug
- 2 RJ-45 to RJ-45 CAT-5e cables (EIA/TIA568B) cables 9’

All cables are pre-installed and tested at the factory. Cable lengths are measured while cables are fully extended.

Both styles can be installed in tables ¾” to 2½” thick and are shipped with the necessary installation hardware.



SnapAV
1800 Continental Blvd Suite 200
Charlotte, NC 28273
1-866-424-4489