

WIREFATH

BULK WIRE

NST-144-PL-500-XX

14AWG, 4 Conductor, 41 Strands, CMP

Features

- CMP Plenum rated speaker wire
- Oxygen - Free Copper conductors ensure signal integrity
- Cable coiled with Reelex II Technology to ensure Tangle-Free Pull

Application

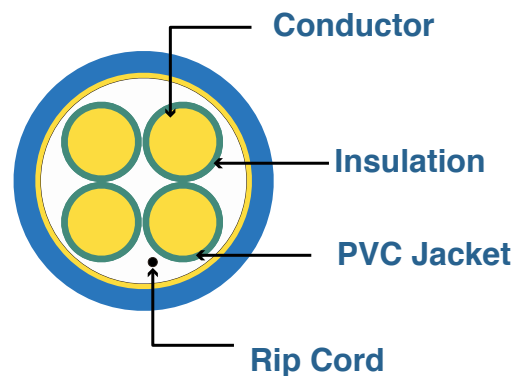
- Power limited circuit cable for use a fixed wiring within buildings principally for class 3 and class 2 circuits.
- Multi-conductor audio/sound
- In-Wall, plenum, and riser applications

Flame Test

- UL & c(UL) Flame Test: CMP & FT6
- UL 900 for CMP
- Rated Temp: 75°C
- Rated Voltage: 300V
- Production Standard: UL 444
- UL Certification: (UL) and c(UL) CMP

Applicable Standards

- | | |
|---------------------------|-----|
| • NEC/(UL) Specifications | CMP |
| • NEC Articles | 800 |
| • CEC/(UL) Specifications | CMP |



WIREFATH

BULK WIRE

Material and Construction		
4 core	Oxygen Free Copper Wire Strands	
AWG	14	
Stranding	41/0.25mm	
Insulation	Material	CMP PVC
	Avg. Thickness (mm)	0.30 ± 0.08
	Insulation Diameter (mm)	2.4 ± 0.2mm
	Ripcord	Nylon (150D)
Jacket	Material	CMP PVC (90A)
	Nominal Thickness (mm)	0.38 ± 0.08
	Cable Dia. (mm)	6.5 ± 0.2
Marking	WIREFATH™ BULK WIRE BY SNAPAV 144-PL OXYGEN FREE COPPER 14AWG 4C PLENUM E325177-HY (UL) c(UL) CMP FT6 75C DDMMYY "ROHS" XXX/XXX FT	

Performance	
Physical & Electrical Characteristics (at 20°C)	
Minimum Bending Radius	≥ 20 * Φ
Spark test	2500V DC
Cable cold bend	-20°C for 4 hours
Conductor DC resistance	≤ 8.6 Ohms/KM
Dielectric strength	500V AC for 1 min
Insulation resistance	≥ 100MΩ/KM
Tensile Strength	≥ 17.2 Mpa (unaged)
Elongation:	≥ 100% (unaged)

Reelx Machine Setting (D750)	
Mandrel Size (inches)	18
Endform Size (inches)	8
Gain	37
Density	No
Hole size	85

WIREFATH

BULK WIRE

Color and Packaging		
Insulation	Red, Black, White & Green	
Jacket	White: Natural White	
	Black: Pantone Black	
Packaging	500ft in Pull Box - Speaker Small	
	Dimensions (in)	13.9" x 13.4" x 9.5"
	Dimensions (mm)	353.1mm x 340.4mm x 241.3mm
	Weight (lbs)	37.4

Values above 250MHz are for information only.