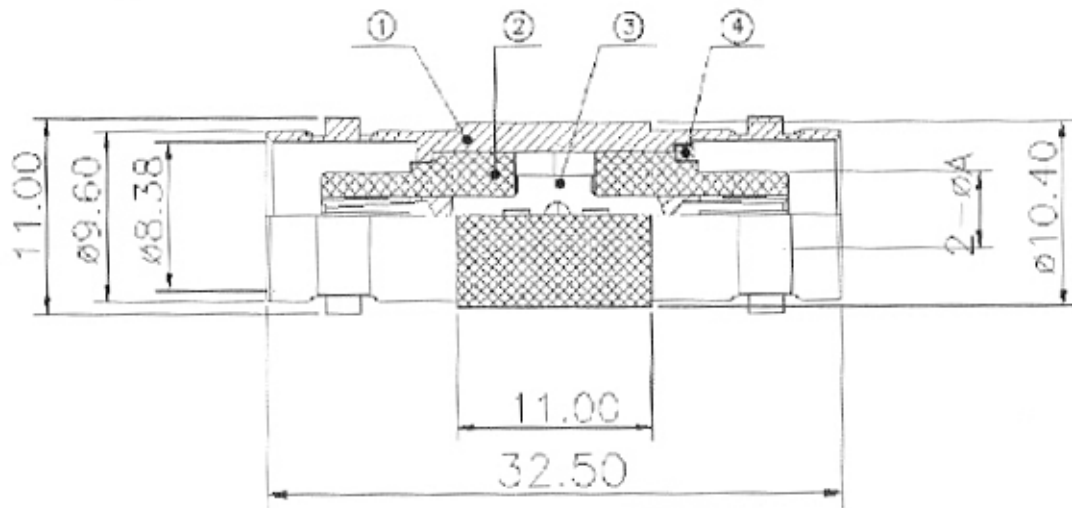


DOLPHIN[®]

"THERE'S NO CONNECTION LIKE A DOLPHIN CONNECTION"[™]

BNC Double Female Adapter Product Number: DC-AD555+755



4	WASHER	Fe	1	NICKEL PLATED
3	CENTER CONTACT	BRASS	1	GOLD PLATED
2	INSULATOR	POM	2	NONE
1	BODY	ZINC	1	NICKEL PLATED
ITEM	DESCRIPTION	MATERIAL	Q'TY	FINISHED

Contact us for additional product information, catalogs, samples or to find your local distributor.