

RB100 Recess Box Kit Installation Instructions

For Use with MantelMount Models

**MM340 MM540 MM700
MM710 MM720**

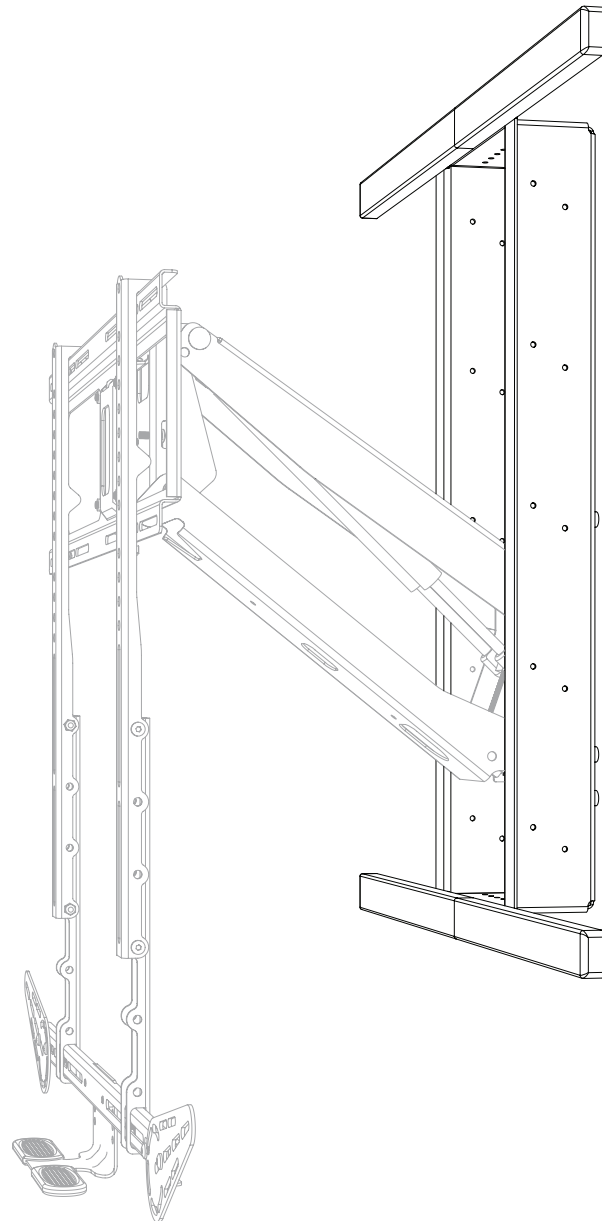
This Addendum is not a stand-alone set of instructions, it is only to be used together with your MantelMount Installation Manual.

This addendum replaces Steps 1.5, ALL OF Step Two (Determine Wall Placement), and Step Three (Attach Mount to Wall) of your installation guide.

You must complete every step in the Installation Manual unless there is a replacement step in this Addendum.

Please read the entire Installation Manual and also this entire Addendum before you begin. Do not unpack the contents of any MantelMount package until you verify that your installation meets all of the requirements listed in both documents.

- ▶ **Please read this entire manual before you begin.**
- ▶ **Do not unpack any contents until you verify additional requirement on PAGE 2.**



▲ Warning this product contains small parts that can be a choking hazard. Do not let children play with any of these small parts! Keep children away from the work area during installation.

▲ Caution do not use this product in any way, or for any purpose, that is not specifically described in these instructions. MantelMount is not responsible for damage or injury caused by incorrect installation or improper use.

▲ Caution do not let children operate, pull on, or hang from MantelMount. Do not let children push MantelMount upward to the top position - this will cause the mount to slam against the wall due to the upward force of the springs. Only a person tall enough to control the mount all the way to the top should operate MantelMount.

▲ Caution this product is intended to be installed by professional installation contractors, or persons familiar with the tools and methods required for this installation. If you are not sure about your ability to perform this installation, you must contact a professional. MantelMount is not responsible for damage or injury caused by incorrect installation or improper use.

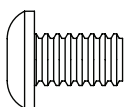
If you need help, call 1.800.897.9755 ext.1

For missing/damaged parts or questions during installation, contact our Customer Support team at **1.800.897.9755 ext.1** or **support@mantelmount.com**. Customer satisfaction is our highest priority!

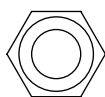
BEFORE INSTALLATION

1 Verify all parts are included.

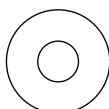
Before you begin, please verify that all components are included and undamaged. If any parts are missing or damaged, contact MantelMount. Never proceed with missing or damaged parts!



{14} x4
M8 X 16



{52} x4
M8 X Locknut



{11} x4
M8



{64} x4



{63} x2



{61} x1

IMPORTANT: The RB100 will reduce the maximum allowable mantel depth depending on model.

Installation with the Recess Box will reduce the maximum allowable size of the Mantle. Also note that the Recess Box will reduce the amount of side-to-side swivel when in the stowed position because it does not extend out as far.

Maximum Mantel Depth

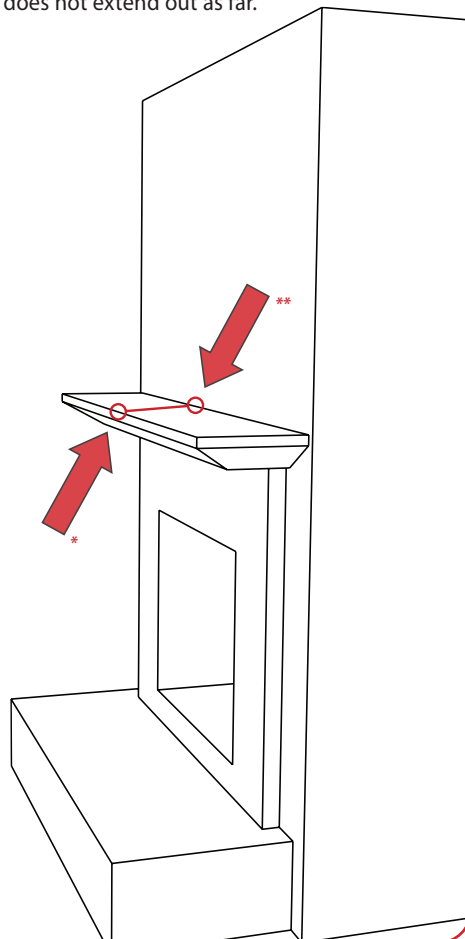
MM340 - 15"
MM540 - 15"
MM720 - 15"

Maximum Mantel Depth

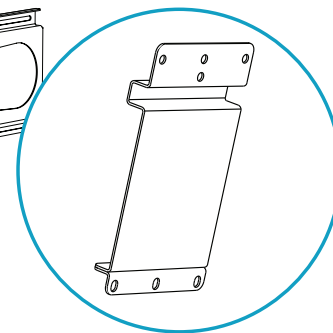
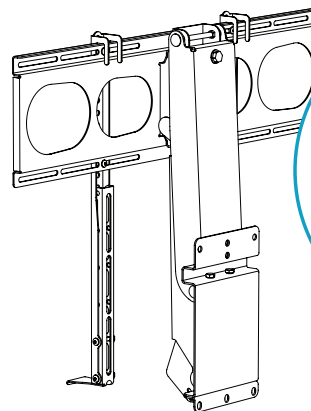
MM700 - 12"
MM710 - 12"

* Mantel Depth is the distance from the front edge of your mantel.

** To the back edge where the mantel meets the wall



IMPORTANT: The MantelMount MM340 and MM540 will require the installation of the SSB40 Adapter Plate, available at mantelmount.com.

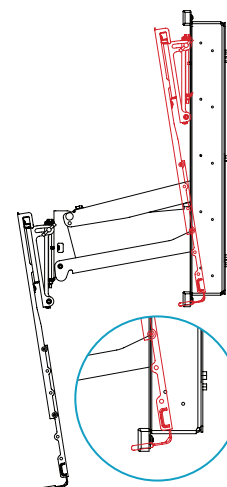


MM340 thru MM540 will require SSB40 Kit.

IMPORTANT: Please note that TILTING your MantelMount with and RB100 installed is not possible when your mount is in the stowed position.

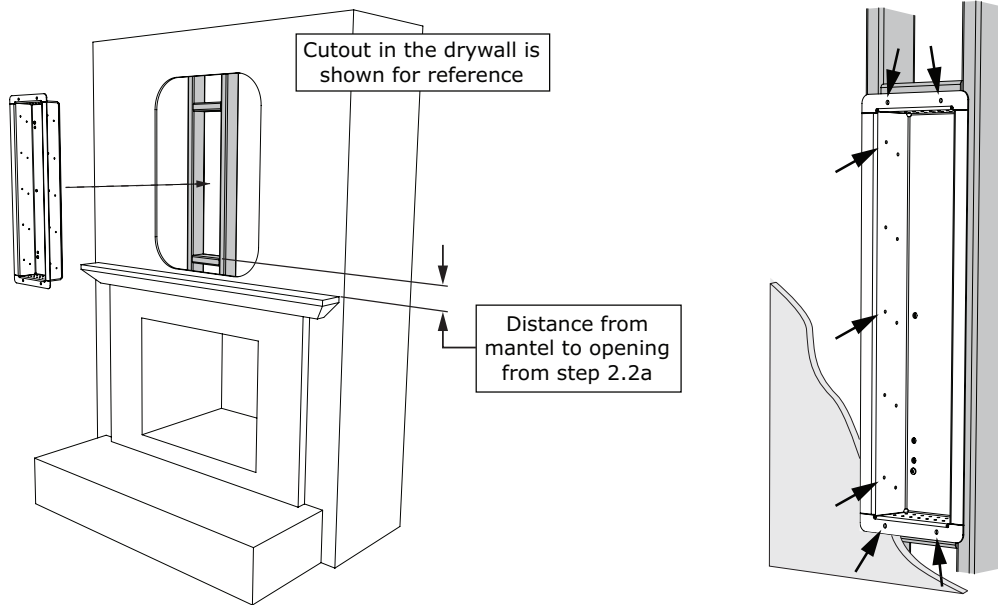
The tilt function will only work as intended when the mount is pulled away from the wall or in the down position.

When returning the mount to the stowed position, the tilt should be brought back to a neutral upright position so as not to hit the wall.



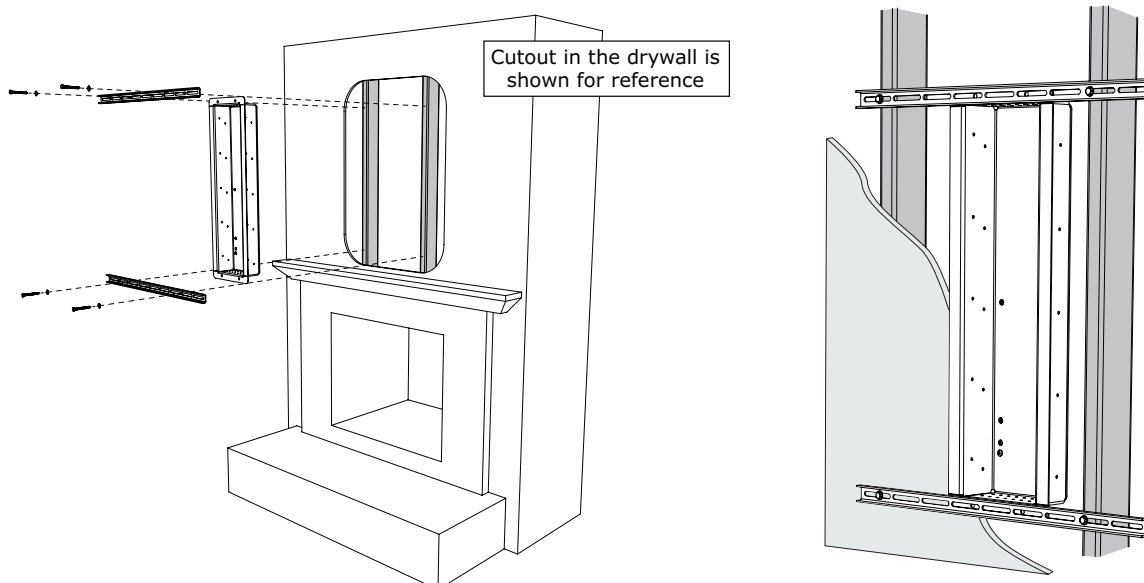
Before Installation Please Review The Different Options For Installing The RB100 Recess Box.

Custom Built Wall Studs: New wall studs are installed to fit the exact dimensions of the Recess Box. This requires new drywall as well. The stud opening is 716mm tall and 187mm wide, however the best option is to use the Recess Box as a template when nailing in the studs. The drywall cutout is aligned with the inner opening of the studs, and the flange of the Recess Box covers the cut edge of the drywall. The Recess box is installed using several wood screws (not included), at least six screws per inner side and two per top and bottom flanges. Note that the Braces and Brace Covers are not used in this installation. This custom installation is not covered in this Addendum.



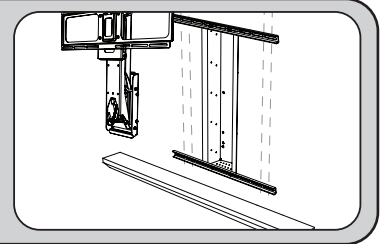
Standard Wall Studs: This is a more convenient installation because the existing studs and drywall are used. The Recess Box is attached to the Recess Braces which span horizontally until they reach the nearest studs. The Braces are attached to the studs with the Lag Bolts included with MantelMount MM340-MM540. The Recess Box will float between two studs, attached only to the Braces. The drywall opening is cut using an included cardboard template. The flange of the Recess Box covers the cut edge of the drywall, and the paintable Brace Covers conceal the Recess Braces.

NOTE: If the existing studs are too far apart for the horizontal Recess Braces to reach, (for instance: a center stud needs to be cut out to make room for the Recess Box), longer Braces are available from MantelMount.com.



STEP 2 Determine Wall Placement

This addendum is to be used in place of **Step Two** (Determine Wall Placement) of your installation guide

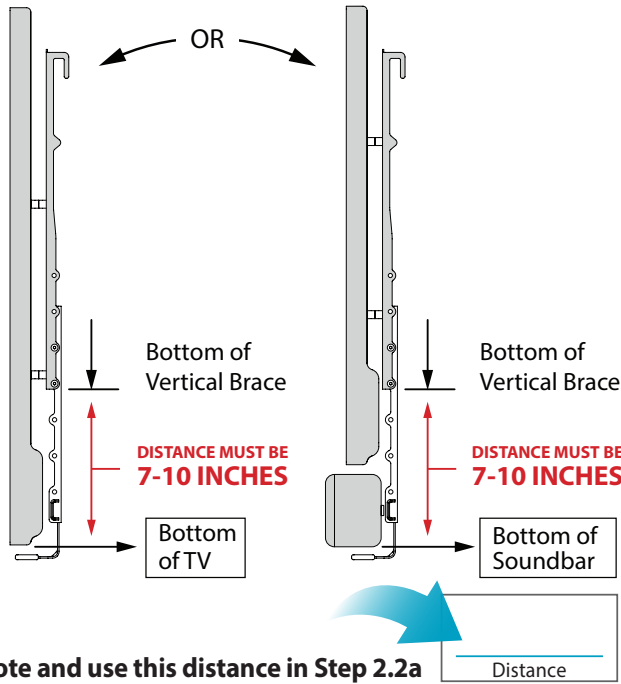


1.5

IMPORTANT INFORMATION: The Vertical Braces {31} must be mounted between **7 and 10 inches from the bottom of the TV**, (or the bottom of the soundbar if one is used), in order to hide the bottom of the Recess Box.

2.1

Measure the final installed distance of the Vertical Braces and use this distance in Step 2.2a.



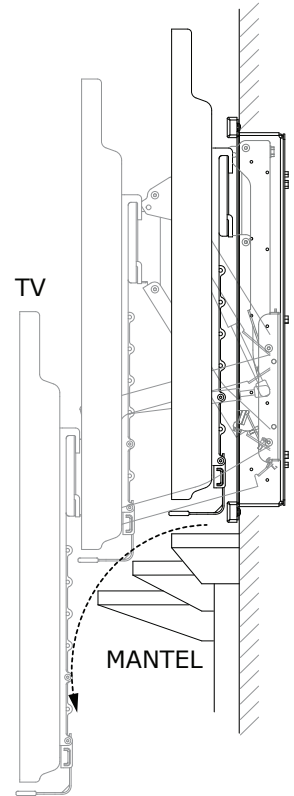
NOTE: RECESS BOX KIT

Determine the Vertical Position of the Recess Opening:

The image here shows that MantelMount travels downward in an arc and requires some clearance above the mantel. Adding some clearance to the installation height will prevent the TV from hitting the mantel when it is lowered. The installation height of MantelMount depends on two dimensions: how far out the mantle extends, and how high the Vertical Braces are attached on the back of the TV.

Use the Look-Up Table below relative to your mount to find the minimum distance between the mantel and the bottom of the cutout opening for the Recess Box.

NOTE: If the available wall space above the mantle is close to the required space in the table from Requirement #2 on Page 2 of the manual, (due to the ceiling, for example), then it is important to use the exact dimensions from this chart. However, if the available wall space above the mantle is much taller than required, then these heights are only minimum requirements.



2.2

Use the Look-Up Table below relative to your mount to find the minimum distance between the mantel and the bottom of the cutout opening for the Recess Box.

Depth of the Mantel - MM700 - MM710

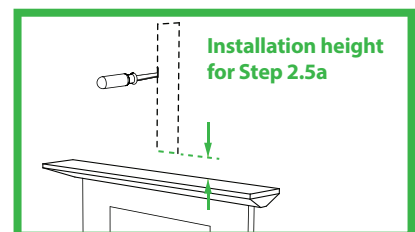
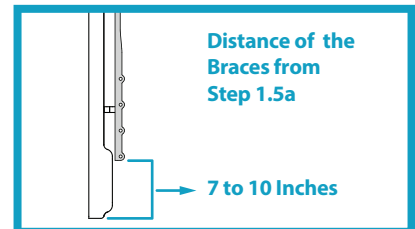
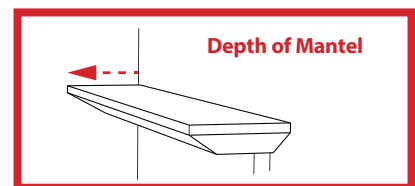
Distance of the Braces	Depth of the Mantel				
	8" or less	9"	10"	11"	12"
7"	6.00"	6.5	7.5	9.00	11.0
8"	7.00"	7.5	8.5	10.0	12.0
9"	8.00"	8.5	9.5	11.0	13.0
10"	9.00"	9.5	10.5	12.0	14.0

Installation Height for Step 2.5a

Depth of the Mantel - MM340 - MM540 - MM720

Distance of the Braces	Depth of the Mantel							
	8" or less	9"	10"	11"	12"	13"	14"	15"
7"	5.00"	5.5	6.00	7.00	8.00	9.00	10.5	12.5
8"	6.00"	6.5	7.00	8.00	9.00	10.00	11.5	13.5
9"	7.00"	7.5	8.00	9.00	10.00	11.00	12.5	14.5
10"	8.00"	8.5	9.00	10.00	11.00	12.00	13.5	15.5

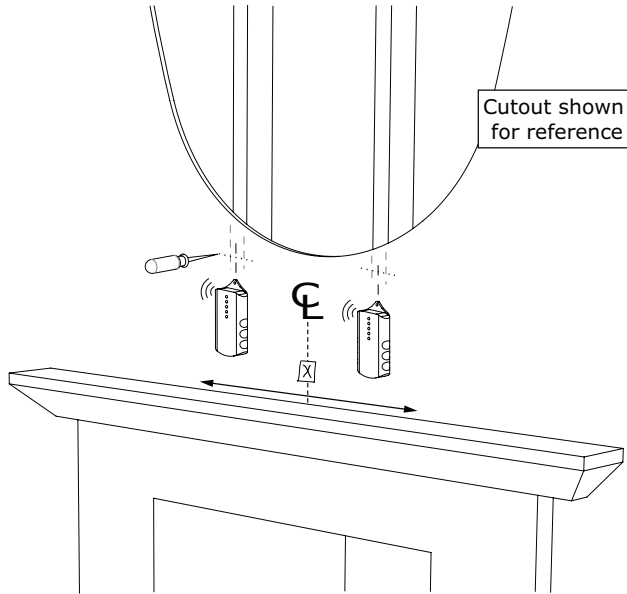
Installation Height for Step 2.5a



2.3

Measure the centerline of the mantle and mark with tape on the wall. Next you will need to locate at least two studs with a stud finder. Locate the center of these studs by using a sharp awl or finish nail poked through the drywall to locate each edge. Lag bolts must be installed into the CENTER of the studs.

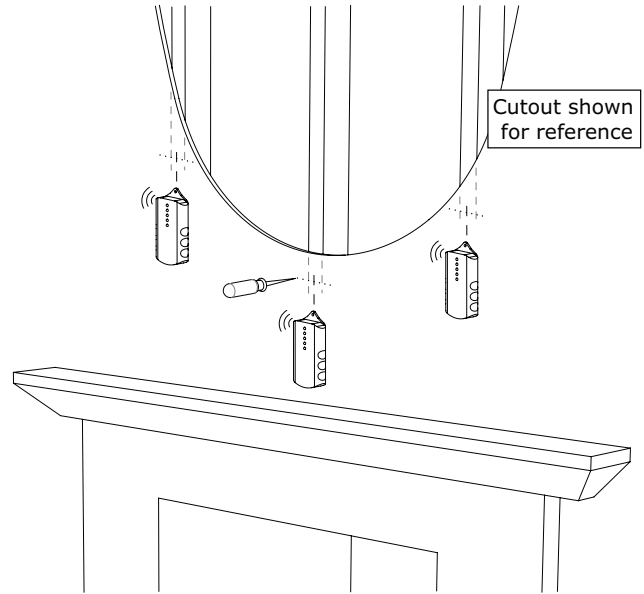
Find the centers of the studs at both upper and lower locations. The upper Lag Bolts are most important, as they carry more of the weight of MantelMount.



CENTER STUD

If there is a center stud within the Template tracing, and this stud is NON-BEARING only, the section of this stud inside the tracing will need to be cut out. One stud on each side of the center stud must also be located.

IMPORTANT: This situation might require longer Recess Braces {63}, available from MantelMount.com.



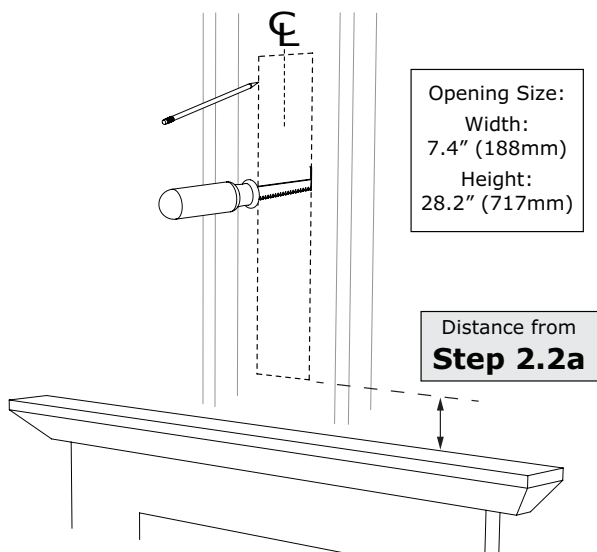
2.4

Trace the Cardboard Template vertically onto the wall about the centerline at the correct height from Step 2.2. Use a level vertically to ensure the cutout will be plumb.

Cut out the opening along the Template tracing.

⚠ WARNING Do Not cut or damage fireplace components! This can allow gases to escape into the house leading to injury or death! Check closely for any damage after cutting the opening.

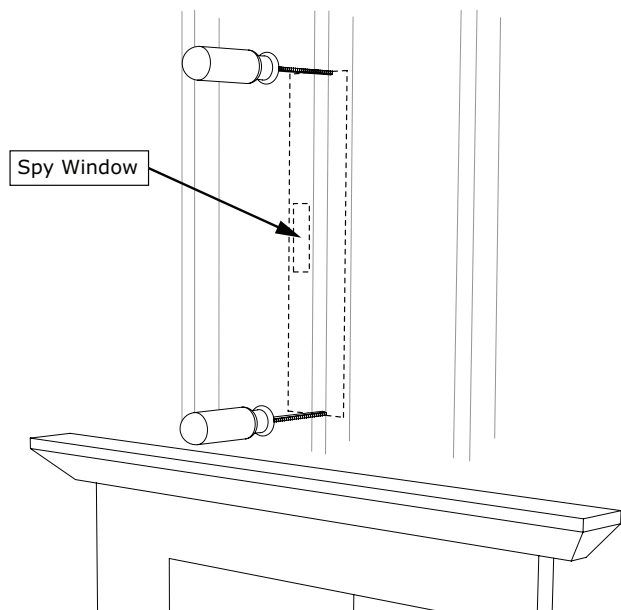
Consult a gas or fireplace professional if you are uncertain or require assistance!



CENTER STUD

Before cutting the opening, cut a small "spy window" along the stud and within the Template tracing. Use the window to identify any fireplace components behind the wall you must avoid when cutting the stud.

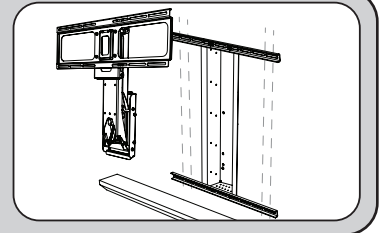
Cut the stud at the top and bottom first. The drywall will hold the stud in place. Then finish the opening.



STEP 3

Attach Mount to Wall

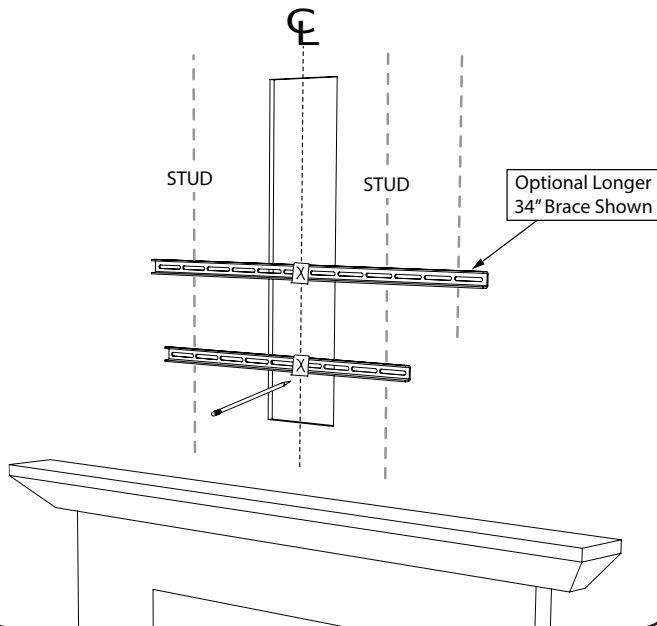
This addendum is to be used in place of **Step Three** (Attach Mount to Wall) of your installation guide



3.1

Align a Recess Brace {63} to the studs in order to locate the center line onto the Brace. An equal amount of the Brace should extend past each of the studs.

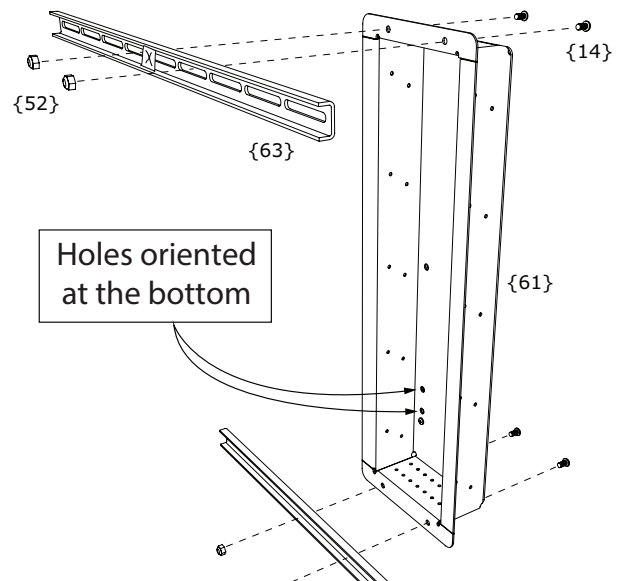
The Recess Brace may extend more to the left or right when the installation is finished.



3.2

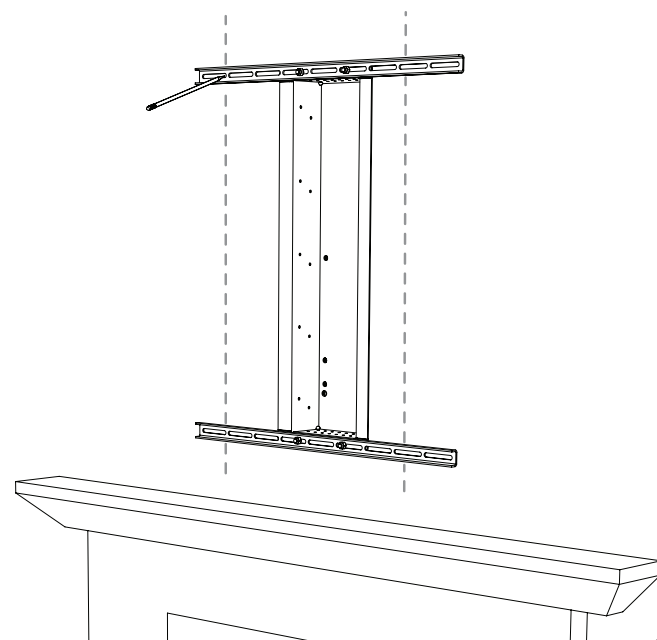
Install the Recess Braces onto the Recess Box {61} aligning the center mark to the center of the Recess Box. Install Screws {14} from the back and the Locknuts {52} from the front. Tighten Securely.

The heads of the Screws will protrude slightly in back and will need to be pressed into the drywall.



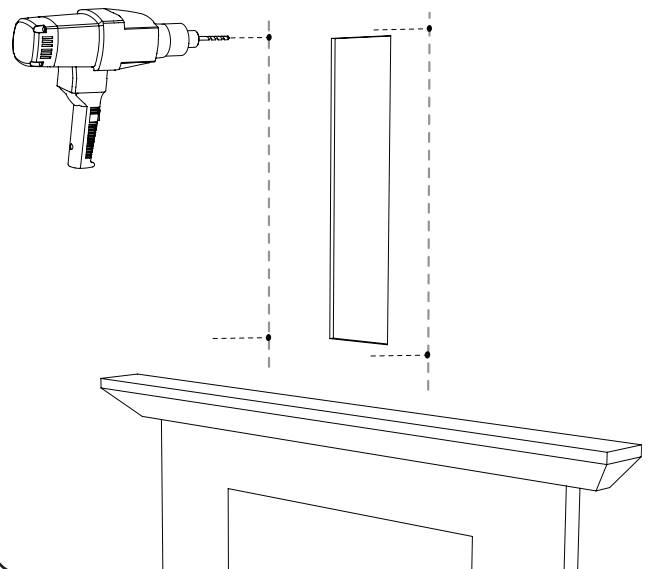
3.3

Temporarily fit the Recess Kit into the hole and mark the locations for the four Lag Bolts onto the centers of the studs. The Lag Bolts must be installed into the centers.



3.4

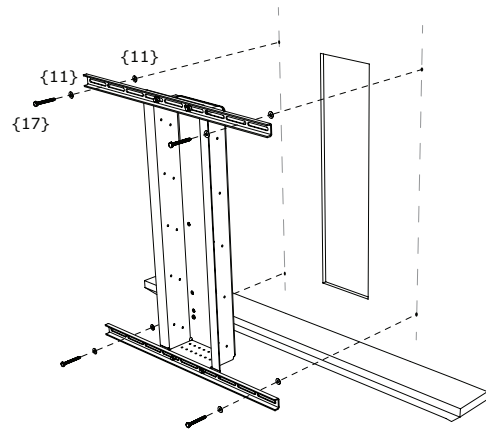
Pre-drill the 4 holes with 7/32\" drill bit to a depth of 2.5 inches (65mm) including wall covering. Note: Wall covering (drywall) must not exceed 5/8\" thickness.



3.5

Attach the Recess Kit using Lag Bolts {17} and Washers {11} directly into the centers of the studs. Add an additional set of Washers {11} between the Braces {63} and the wall (tape them to the wall beforehand if needed) to compensate for the thickness of the Recess Box flange.

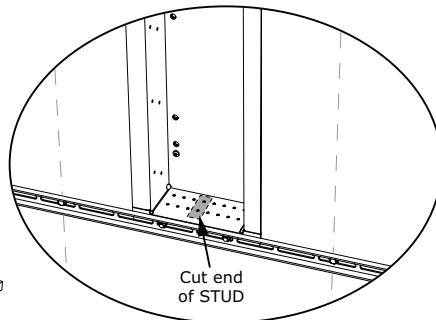
The screw heads that attach the Recess Braces to the Recess Box will need to be pressed or tapped into the drywall so that the flange is flush with the wall.



⚠ Caution Do Not over-tighten Lag Bolts {17}. Tighten only until the washers are firmly against the Braces. Damage due to over-tightening can cause property damage or injury.

CENTER STUD

If a center stud was cut to make room for the Recess Box, the loose ends of that stud must be attached to the Recess Box at the top and bottom. Locate the ends of the stud through the holes shown and use two wood screws (not included) at both top and bottom.

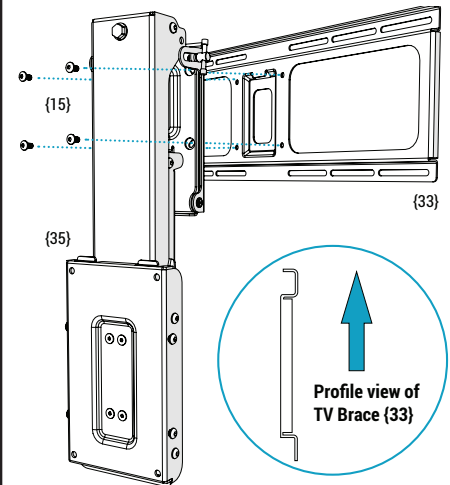


3.6

Attach TV Brace to Lifting Arm

Hang the TV Brace {33} onto the Lifting Arm {35} and make sure it is level when tightening the four Leveling Screws {15}.

These Screws {15} can also be used during installation Step 5 to level the TV.



3.7

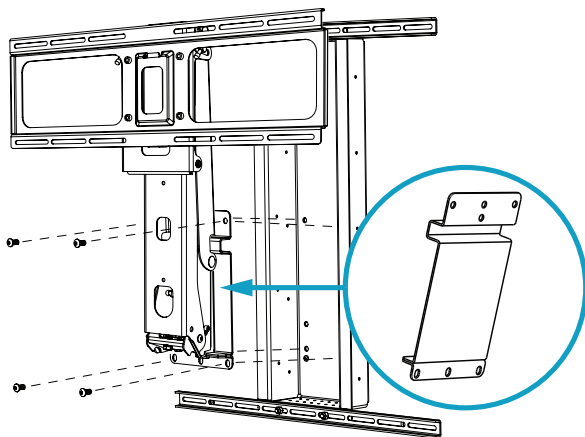
If you are installing an **MM340 or MM540** your installation will require the use of the SSB40.

You will need to attach the SSB40 to the Lifting Mechanism {35}. This will allow for the Lifting Arm {35} to attached directly into the Recess Box using Screws 12179 from the SSB40 Wall Adapter kit. Tighten securely. (SSB40 Sold Separately).

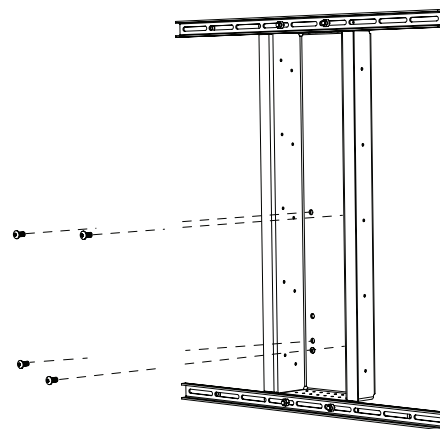
If you are installing an **MM700, MM710 or MM720** your lifting arm will attach directly to the RB100 Recess Box using Screws and your installation will not required to the use of the SSB40 Wall Adapter kit.

After Lifting arm has been attached to RB100 Recess Box you can now slide or snap on the paintable Brace Covers {64} onto the Recess Braces {63} and complete the rest of your installation using your Installation Manual.

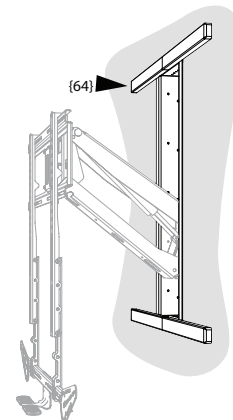
DO NOT damage or scratch the rods of the Gas Springs!



The **MM340 or MM540** installation will require the use of an SSB40 to attach to the RB100 Recess Box. (SSB40 Sold Separately).



The **MM700, MM710 or MM720** will attach directly to the RB100 Recess Box.

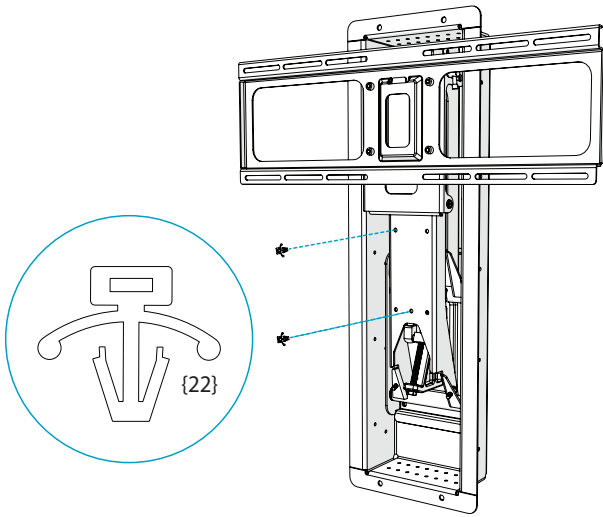


Brace Covers {64} can be painted to match wall color if desired.

3.8

Insert Cable Tie Anchors into Lifting Arm.

Insert two Cable Tie Anchors {22} into the front holes on the lower part of the Lifting Arm. Press firmly until flat.

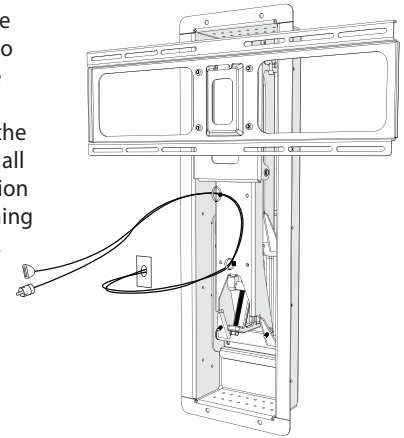


3.9

Use the included Cable Ties to attach cables.

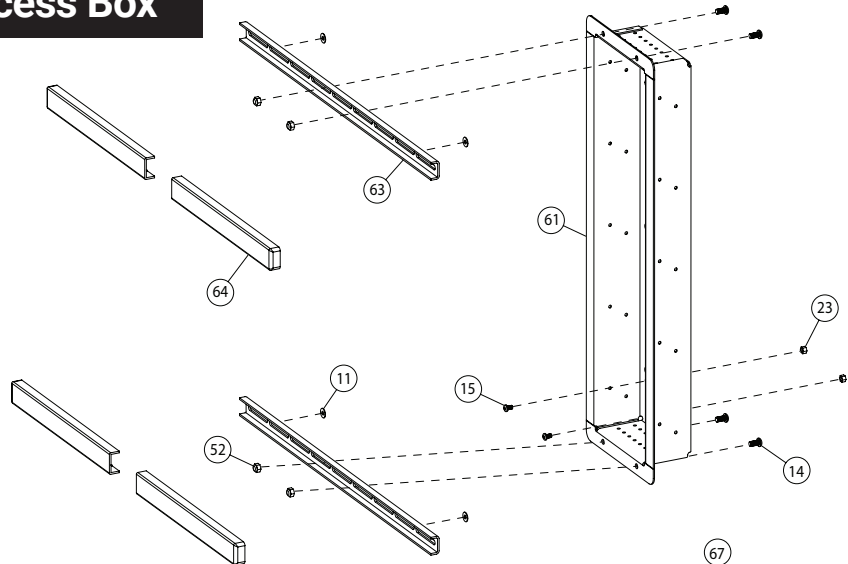
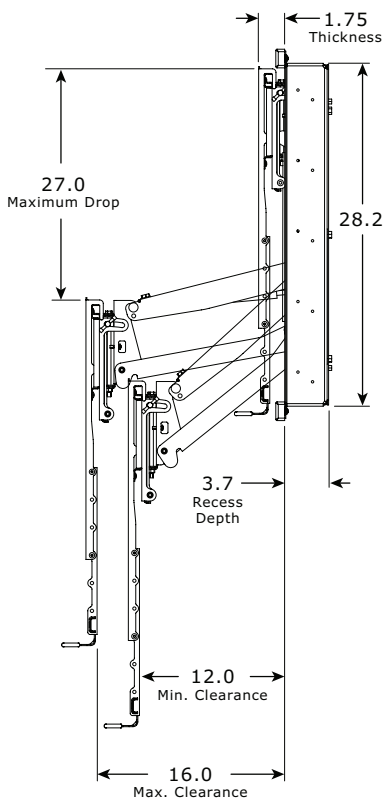
Ensure Cable Ties {24} are sideways to the lower part of the Lifting Arm {35}, making a gentle loop. The figure below illustrates the recommended way to attach cables.

- ▶ Cables must be long enough to accommodate the extension and swivel of the mount. Check all ranges of motion before tightening the Cable Ties.

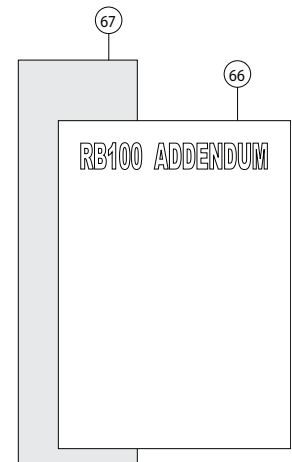


You can now proceed to step four of your installation manual.

MantelMount RB100 Recess Box



Item NO.	Part Number	Description	QTY.
11	14126	Washer M8	4
14	12176	Round Head Screw M8 x 16	4
15	12178	Round Head Screw M6 x 10	2
23	12185	Nut M6	2
52	12187	Locknut M8	4
61	13050	Recess Box	1
63	13048	Recess Brace 26" max spacing	2
64	12110	Brace Cover	4
66	15041	Cardboard Template	1
67	RB100A	Addendum MM340-MM540	1



www.mantelmount.com

Mailing Address: 2647 Gateway Road Ste. 105-435 Carlsbad, CA 92009

© 2021 MANEHU PRODUCT ALLIANCE, LLC

Customer Satisfaction Is Our Highest Priority!

For missing/damaged parts or questions during installation, please contact our Customer Support team at **1.800.897.9755 ext.1** or **support@mantelmount.com**.

RB100 09-21