

SR-WM-SK-19

Wall-Mount Expandable Open-Frame Rack, 8–22U

Package Contents

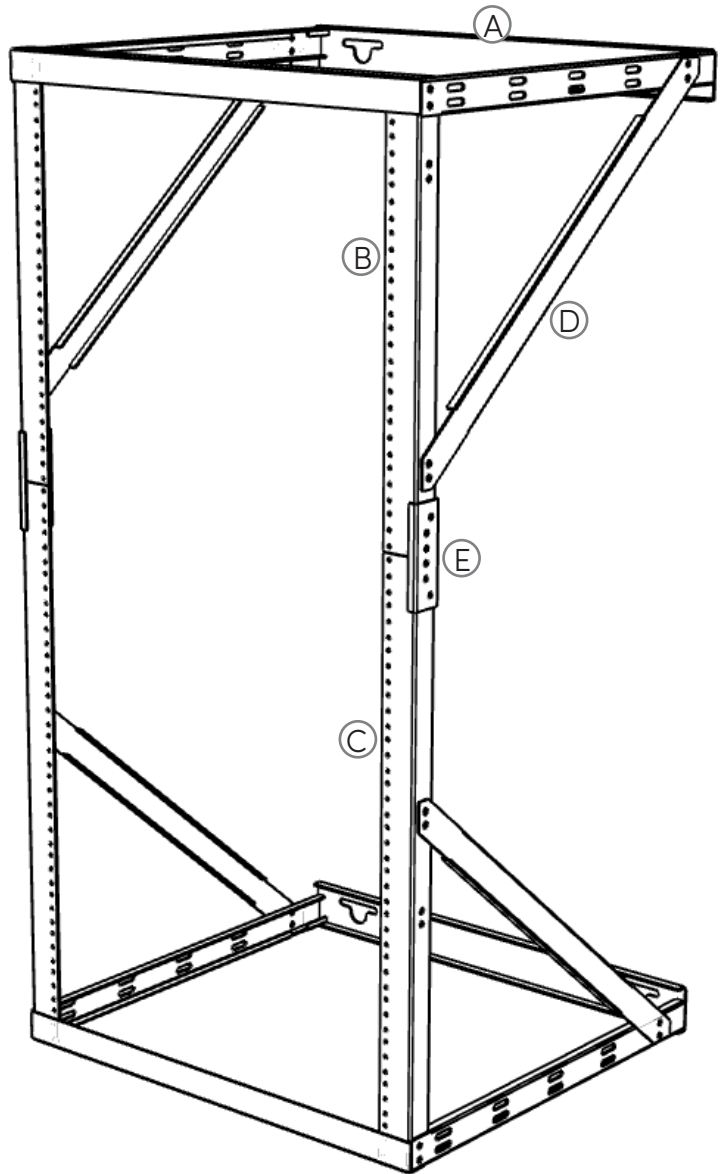
- A. 2 × Rack Frames
- B. 2 × 8U Rack Rails
- C. 2 × 12U Rack Rails
- D. 4 × Side Brace
- E. 2 × Tie Plate
- F. 38 × #10–32 Assembly Screws
- G. Mounting Template
- H. 5 × 8×63mm Lag Bolts
- I. 5 × 8.4×16×2mm Lag Bolt Washers
- J. 38 × #10–32 Rack Screws
- K. 4 × Zip Ties for part storage
- L. 4 × Hook and Loop Strips

Key Features

- Stores and organizes EIA-standard 19" rack equipment
- Maximum weight capacity 150lbs
- Expandable for 8U, 12U, or 22U configuration
- Integrated wire management

Tools Required for Installation

- Power Drill
- 3/32" drill bit
- 1/2" (13mm) wrench
- level
- stud finder
- Phillips screwdriver



Advisory: The rack rails in this product can be used individually for an 8U installation or a 12U installation, or they can be combined for a 22U installation. Ensure you use the proper rack rails for your installation needs.

Warning: This product is designed to mount on a wood or sheet-rock wall.



Assembly: 8U

Preparation

Use a stud finder to find the nearest wall studs and mark their location. Align the template with the stud markings on the wall, level the template, and tape the template flat to the wall surface. Use the mounting template to mark the locations of the four lag bolts (H) for the 8U configuration.

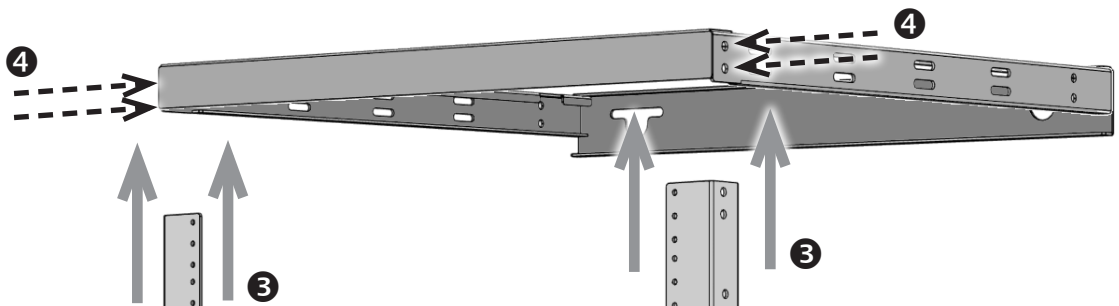
Drill pilot holes for your lag bolts using a 3/32" drill bit. Insert a lag bolt (H) and washer (I) into each hole, tightening until 1/4" of each lag bolt remains exposed.

Step 1

Align the 8U rack rails (B) against the inside of the corners of the bottom rack frame (A), adjacent to the smooth front of the rack frame. Ensure that the gear-mounting holes (marked with U-space screen print) are facing the front of the rack. See ❶.

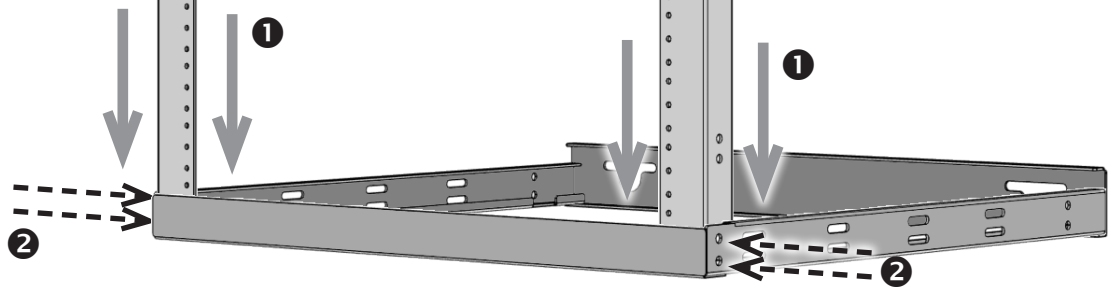
Step 2

Secure each 8U rack rail (B) with two 10-32 assembly screws (F) as shown. See ❷.



Step 3

Align the 8U rack rails (B) against the inside of the corners of the top rack frame (A), adjacent to the smooth front of the rack frame. Ensure that the gear-mounting holes (marked with U-space screen print) are facing the front of the rack. See ❸.



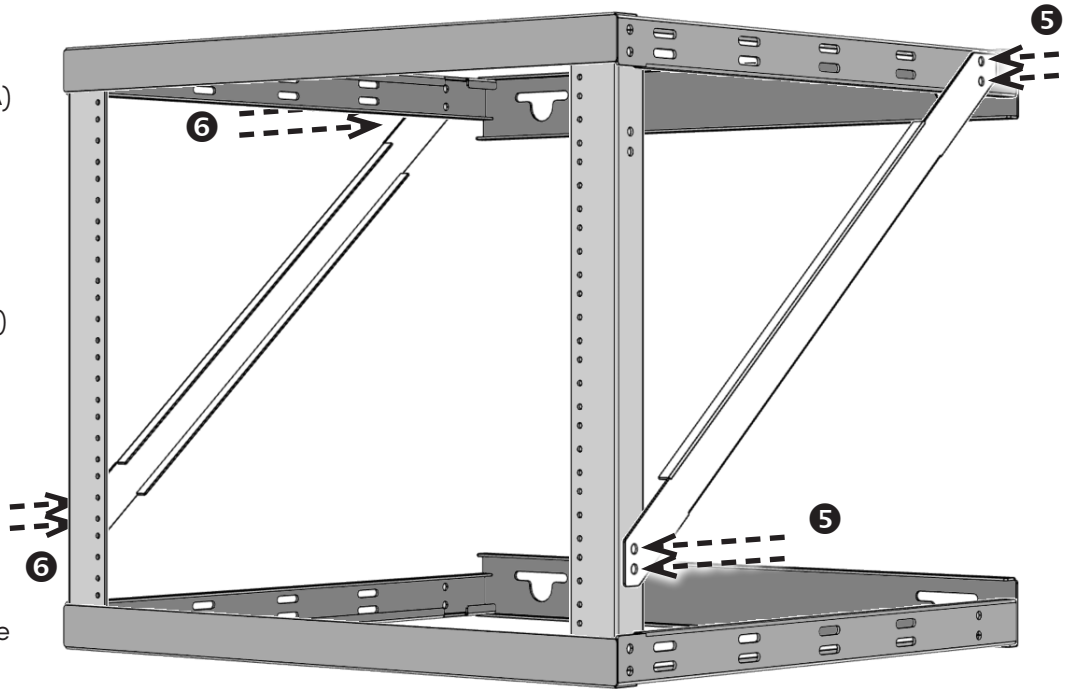
Step 4

Secure each 8U rack rail (B) with two 10-32 assembly screws (F) as shown. See ❹.

Step 5

Attach a side brace (D) to the two holes in the top rack frame (A) that are closest to the rear of the rack, securing it with two 10-32 assembly screws (F). Next, attach the side brace (D) to the holes near the bottom of the 8U rack rails (B) with two 10-32 assembly screws. See ⑤.

Repeat this process for the second side brace (D) on the other side of the rack. See ⑥.

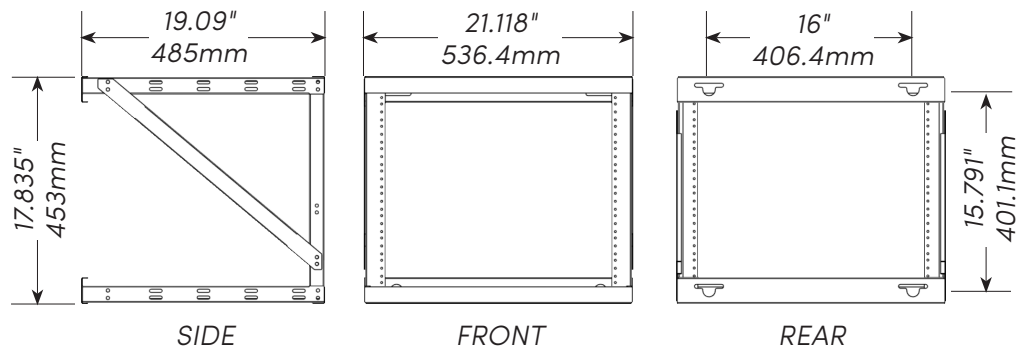


Mounting

Hang the rack on the lag bolts, ensuring that the washers are between the lag bolt head and the rack (not between the rack and the wall). Adjust the rack to the left or right as needed. Tighten each lag bolt (H) securely, but do not over tighten.

The supplied zip ties allow you to store the unused hardware by zip-tying it to the bottom of the rack out of sight. Save this unused hardware in case you need to expand the configuration at a later date.

Dimensions



Assembly: 12U

Preparation

Use a stud finder to find the nearest wall studs and mark their location. Align the template with the stud markings on the wall, level the template, and tape the template flat to the wall surface. Use the mounting template to mark the locations the of the four lag bolts (H) for the 12U configuration.

Drill pilot holes for your lag bolts using a 3/32" drill bit. Insert a lag bolt (H) and washer (I) into each hole, tightening until 1/4" of each lag bolt remains exposed.

Step 1

Align the 12U rack rails (C) against the inside of the corners of the bottom rack frame (A), adjacent to the smooth front of the rack frame. Ensure that the gear-mounting holes (marked with U-space screen print) are facing the front of the rack. See ❶.

Step 2

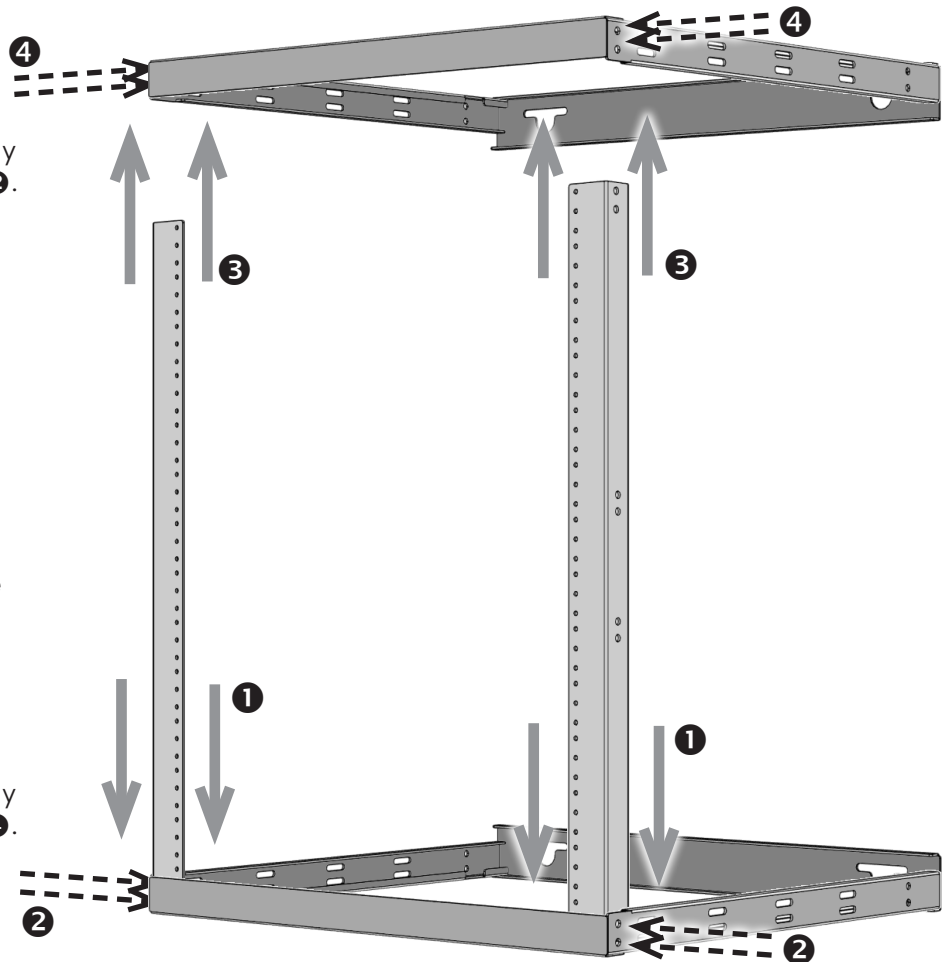
Secure each 12U rack rail (C) with two 10-32 assembly screws (F) as shown. See ❷.

Step 3

Align the 12U rack rails (C) against the inside of the corners of the top rack frame (A), adjacent to the smooth front of the rack frame. Ensure that the gear-mounting holes (marked with U-space screen print) are facing the front of the rack. See ❸.

Step 4

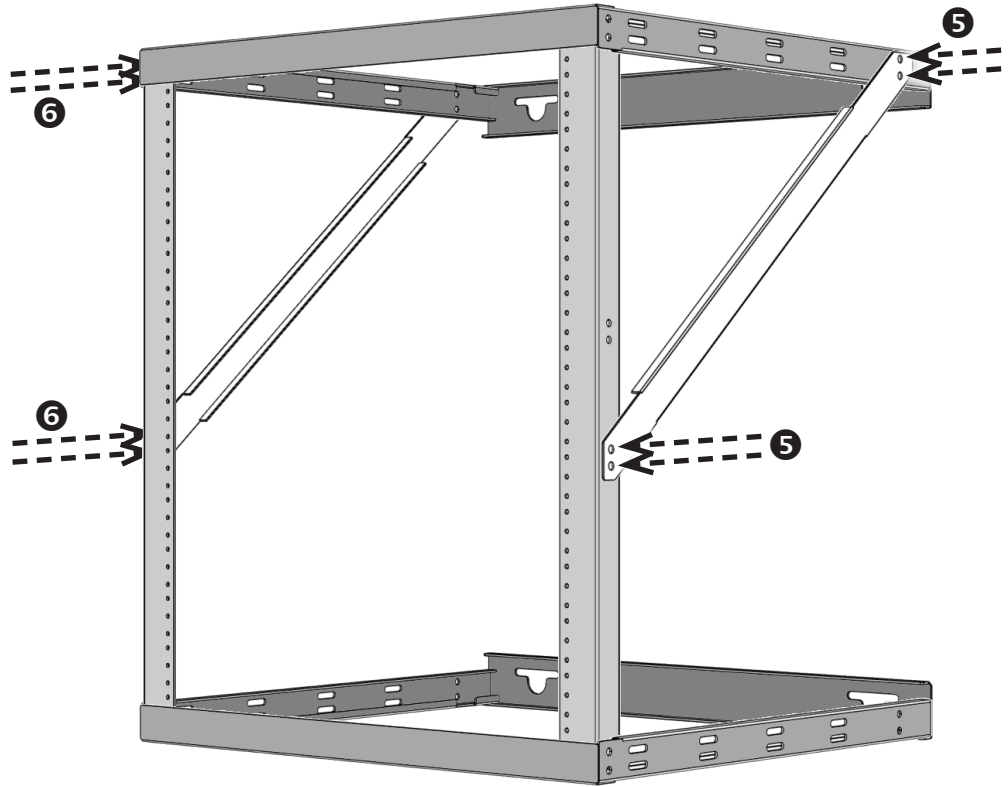
Secure each 12U rack rail (C) with two 10-32 assembly screws (F) as shown. See ❹.



Step 5

Attach a side brace (D) to the two holes in the top rack frame (A) that are closest to the rear of the rack, securing it with two 10-32 assembly screws (F). Next, attach the side brace (D) to the lower mounting holes of the 12U rack rails (C) with two 10-32 assembly screws. See 5.

Repeat this process for the second side brace (D) on the other side of the rack. See 6.

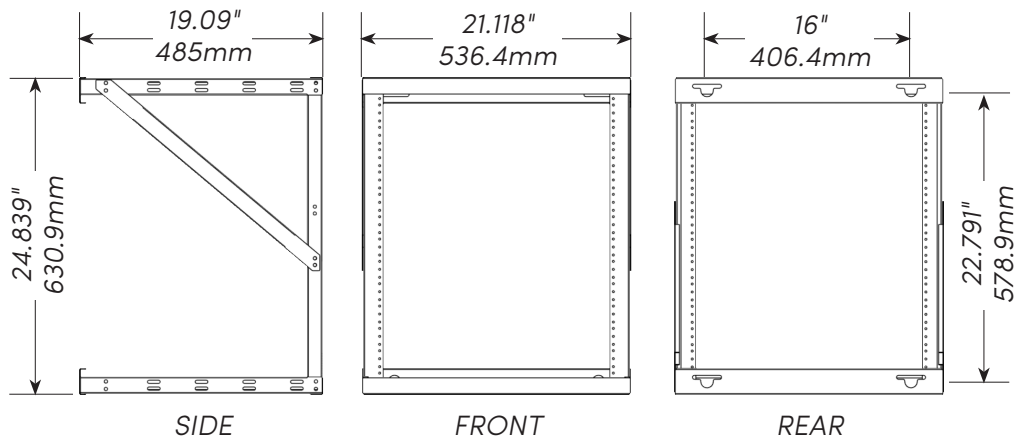


Mounting

Hang the rack on the lag bolts, ensuring that the washers are between the lag bolt head and the rack (not between the rack and the wall). Adjust the rack to the left or right as needed. Tighten each lag bolt (H) securely, but do not over tighten.

The supplied zip ties allow you to store the unused hardware by zip-tying it to the bottom of the rack out of sight. Save this unused hardware in case you need to expand the configuration at a later date.

Dimensions

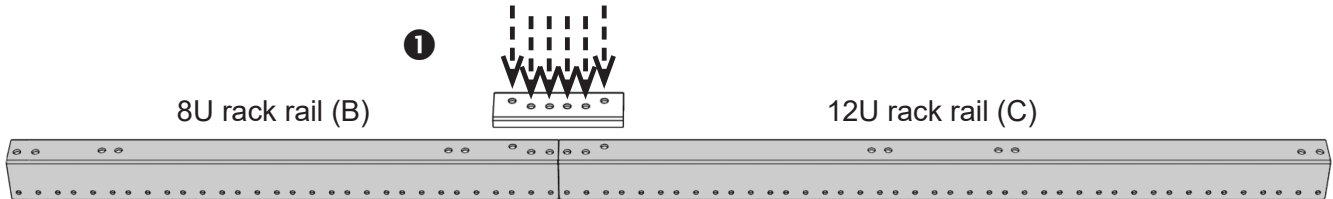


Assembly: 22U

Preparation

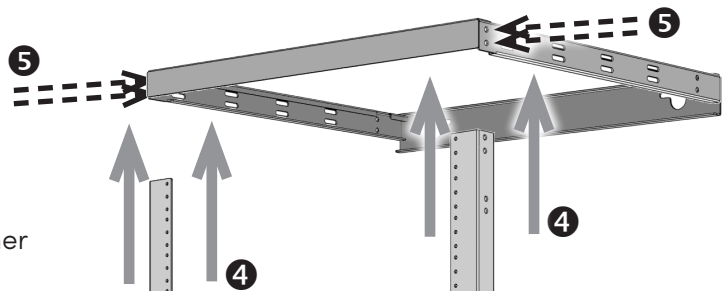
Use a stud finder to find the nearest wall studs and mark their location. Align the template with the stud markings on the wall, level the template, and tape the template flat to the wall surface. Use the mounting template to mark the locations of the four lag bolts (H) for the 22U configuration.

Drill pilot holes for your lag bolts using a 3/32" drill bit. Insert a lag bolt (H) and washer (I) into each hole, tightening until 1/4" of each lag bolt remains exposed.



Step 1

First, combine the rack rails. Place an 8U rack rail (B) and a 12U (C) rack rail end to end. Place a tie plate (E) over the ends and secure the plate with four 10-32 assembly screws (F). This creates a 22U rack rail (B+C+E). Repeat this step for the other pair of rails. See 1.



Step 2

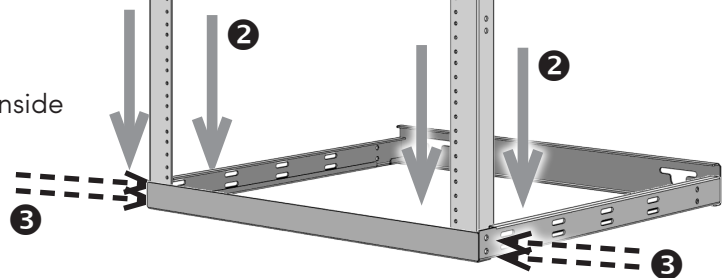
Align the 22U rack rails (B+C+E) against the inside of the corners of the bottom rack frame (A), adjacent to the smooth front of the rack frame, with the 12U end of the rack rail toward the bottom. Ensure that the gear-mounting holes (marked with U-space screen print) are facing the front of the rack. See 2.

Step 3

Secure each 22U rack rail (B+C+E) with two 10-32 assembly screws (F) as shown. See 3.

Step 4

Align the 22U rack rails (B+C+E) against the inside of the corners of the top rack frame (A), adjacent to the smooth front of the rack frame. Ensure that the gear-mounting holes (marked with U-space screen print) are facing the front of the rack. See 4.



Step 5

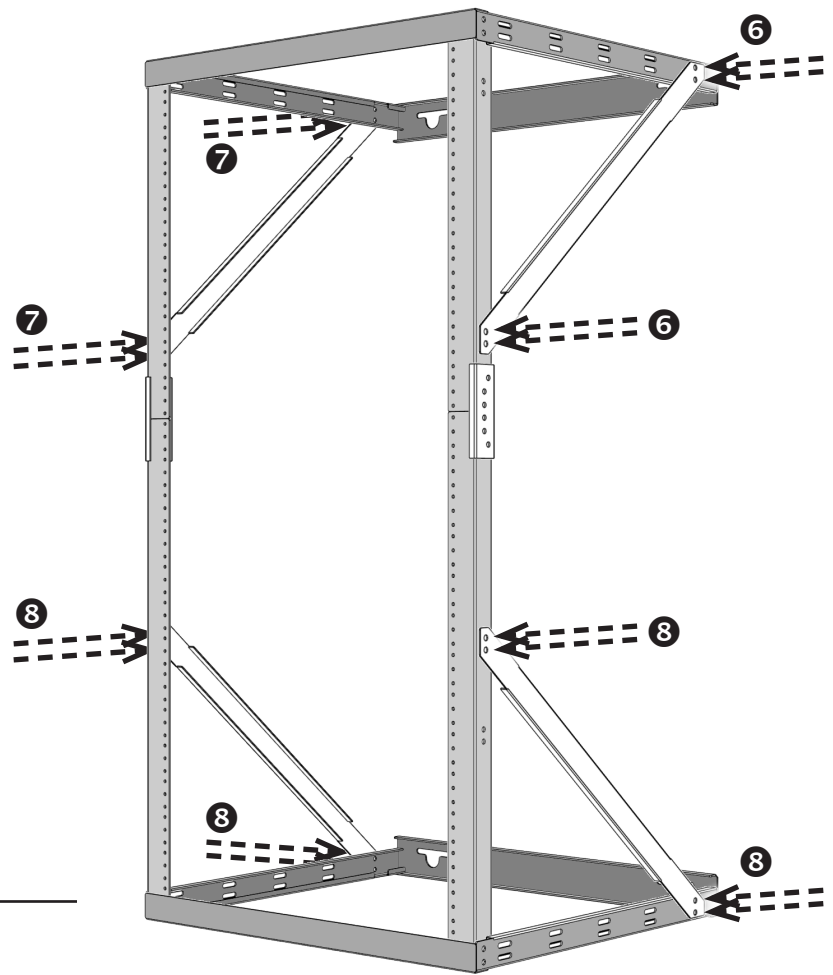
Secure each 22U rack rail (B+C+E) with two 10-32 assembly screws (F) as shown. See 5.

Step 6

Attach a side brace (D) to the two holes in the top rack frame (A) that are closest to the rear of the rack, securing it with two 10-32 assembly screws (F). Next, attach the side brace (D) to the lower mounting holes of the 22U rack rails (B+C+E) with two 10-32 assembly screws. See 6.

Repeat this process for the second side brace (D) on the other side of the rack. See 7.

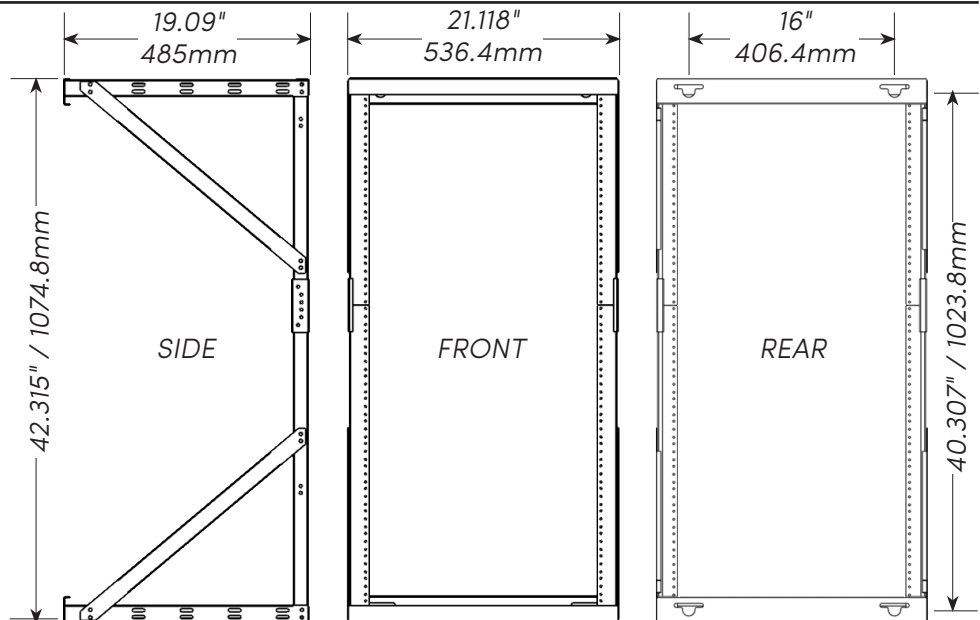
Repeat this process again, placing two side braces (D) to stabilize the bottom rack frame. See 8.



Mounting

Hang the rack on the lag bolts, ensuring that the washers are between the lag bolt head and the rack (not between the rack and the wall). Adjust the rack to the left or right as needed. Tighten each lag bolt (H) securely. Do not over tighten.

Dimensions



Technical Support

For chat and telephone, visit <https://tech.control4.com/s/contactsupport> • Email: TechSupport@SnapOne.com
Visit tech.control4.com/technician for discussions, instructional videos, news, and more.

Warranty and Legal Notices

Find details of the product's Limited Warranty and other resources such as regulatory notices and patent and safety information, at snapone.com/legal or request a paper copy from Customer Service at 866.424.4489.

Copyright ©2021, Snap One, LLC. All rights reserved. Snap One and its respective logos are registered trademarks or trademarks of Snap One, LLC (formerly known as Wirepath Home Systems, LLC), in the United States and/or other countries. Control4, Strong, and Wirepath are also registered trademarks or trademarks of Snap One, LLC. Other names and brands may be claimed as the property of their respective owners. Snap One makes no claim that the information contained herein covers all installation scenarios and contingencies, or product use risks. Information within this specification subject to change without notice.

Version 210709-1220

Part # 200-SR-WM-001-A

